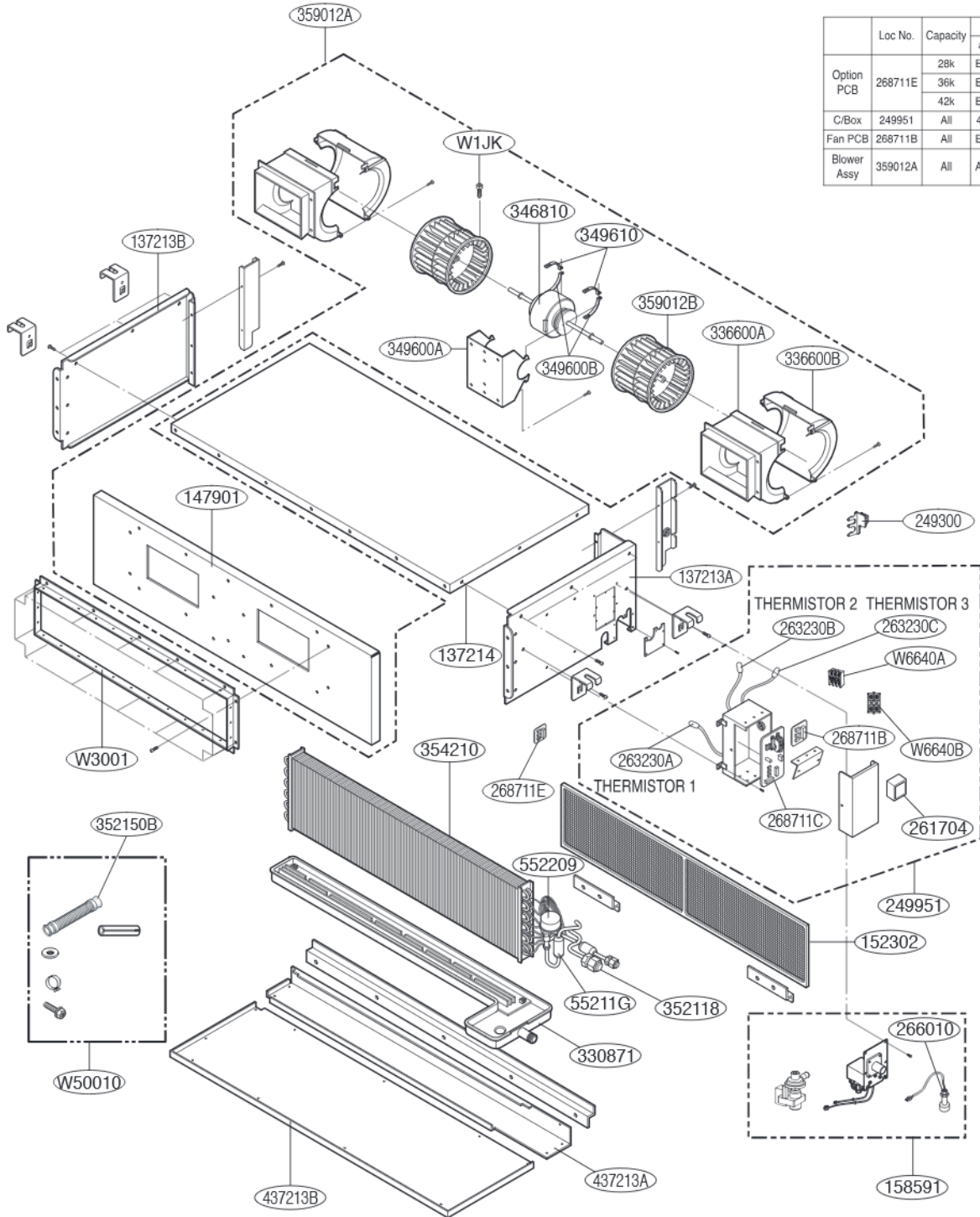


BG (Produced after 2012.12)
ARNU36GBGA2 (Suffix : ANWALAP, ANWALAT)
ARNU42GBGA2.ANWALAT



| | Loc No. | Capacity | P/No. after 2012.11 |
|-------------|---------|----------|------------------------|
| Option PCB | 268711E | 28k | EBR72936310 |
| | | 36k | EBR72936311 |
| | | 42k | EBR72936313 |
| C/Box | 249951 | All | 4995A10209F |
| Fan PCB | 268711B | All | EBR72059603 |
| Blower Assy | 359012A | All | ADP73693501 |

| | | | |
|--------------|---------|----------|------------------------|
| Thermistor 1 | 263230A | Air | Housing color : yellow |
| Thermistor 2 | 263230B | Eva. in | Housing color : white |
| Thermistor 3 | 263230C | Eva. out | Housing color : red |

