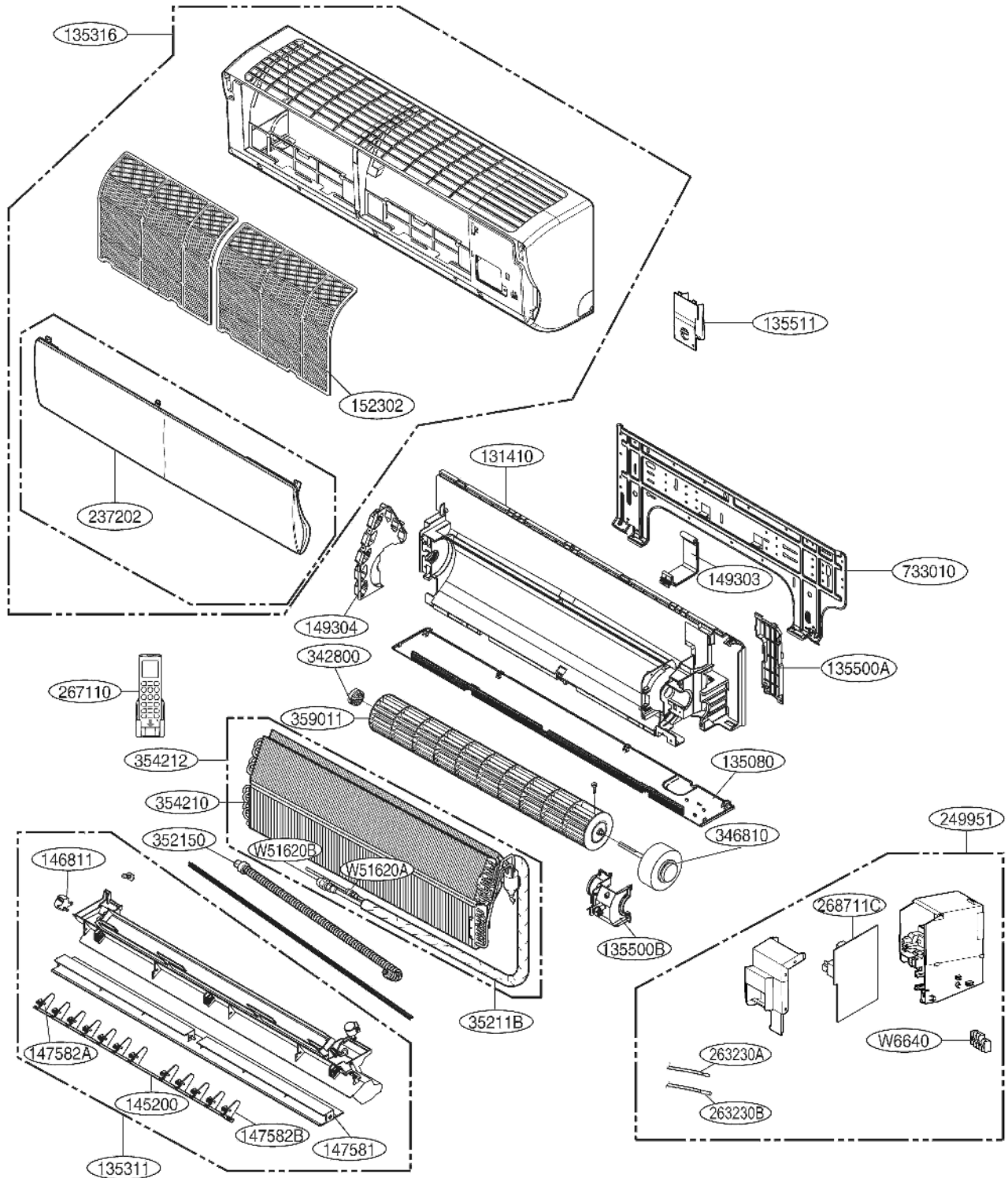


Exploded View

Indoor Unit



USNW122B4W2 (R410A)

