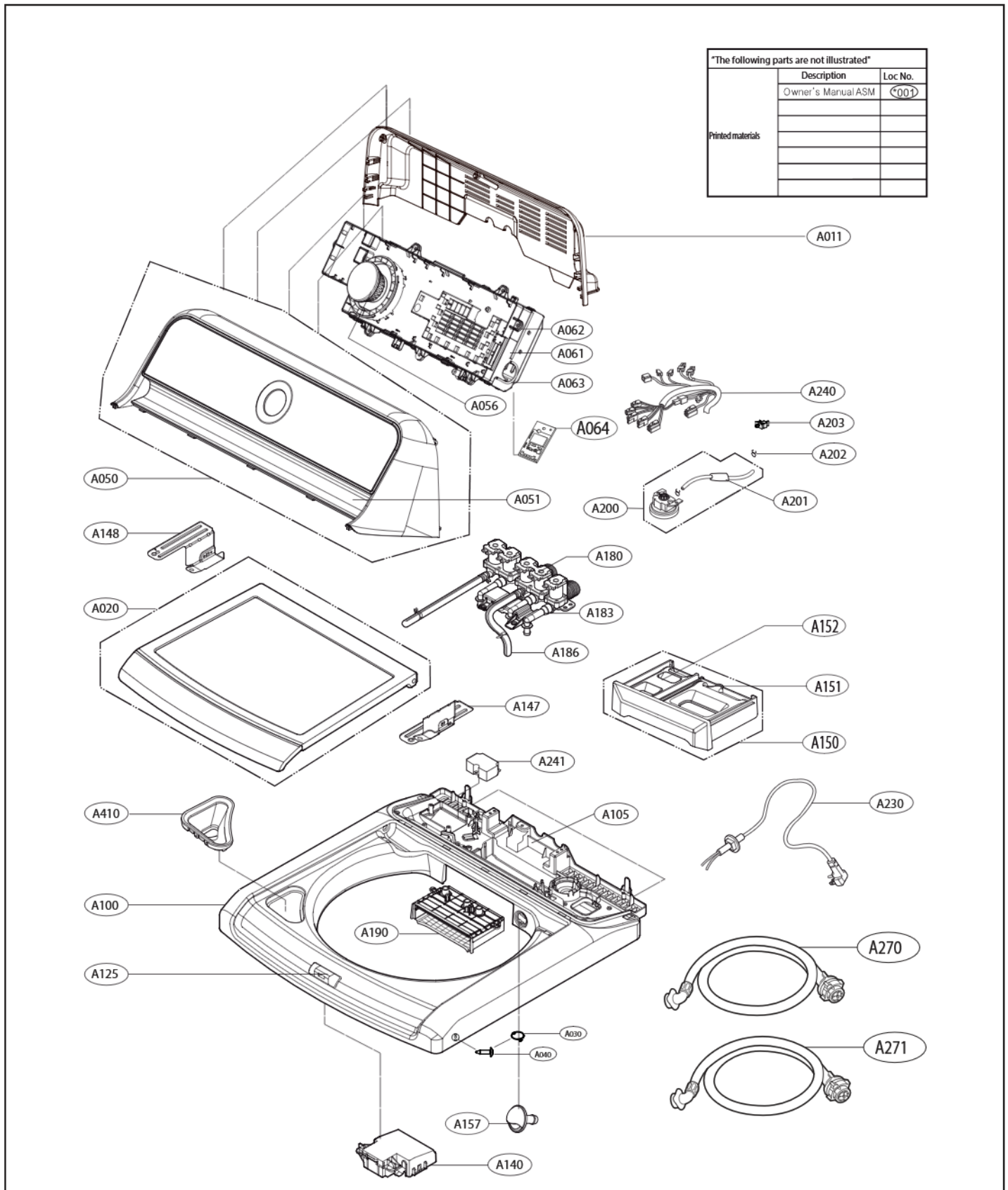


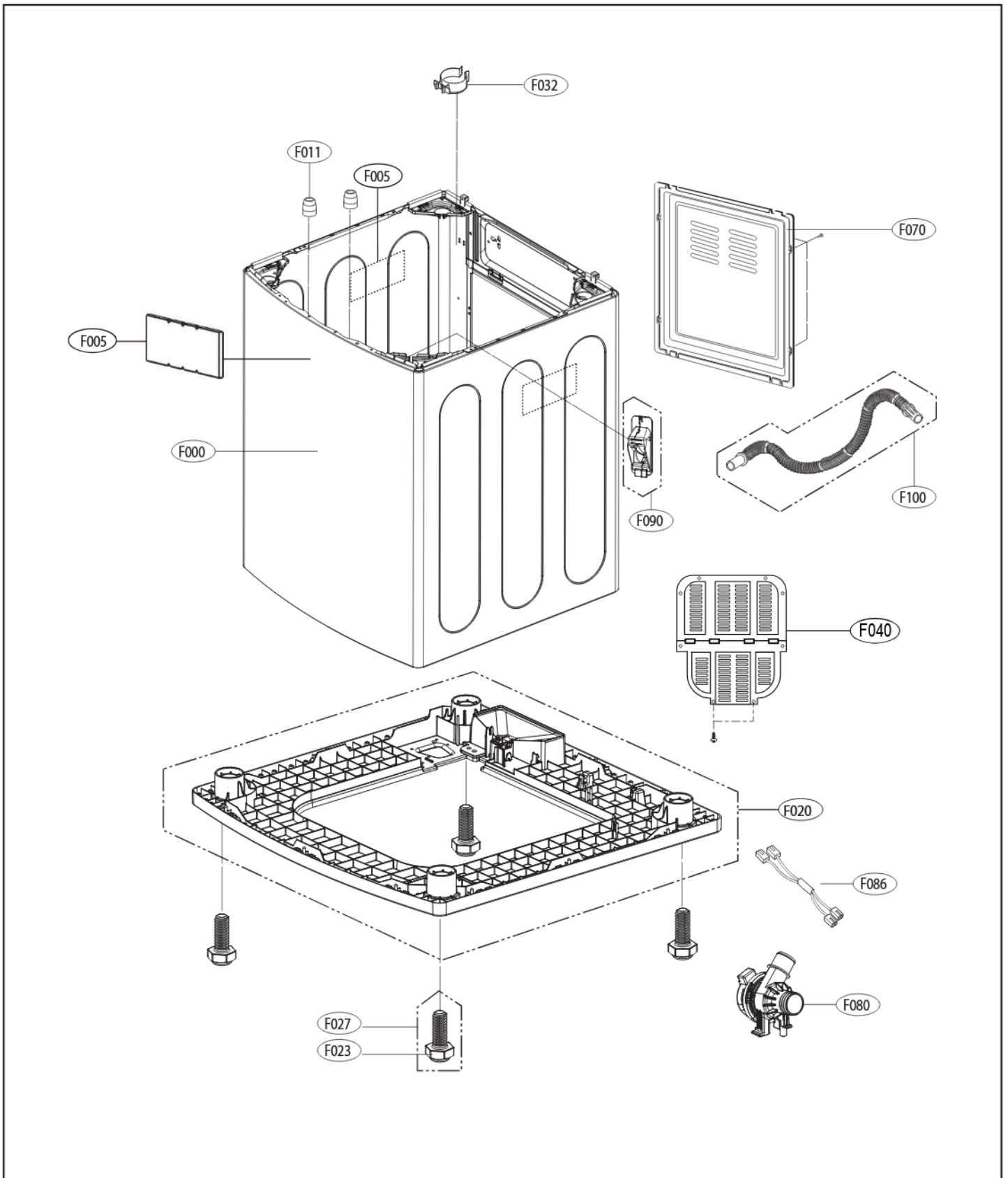
6-1. EXPLODED VIEW OF TOP COVER ASSEMBLY



"The following parts are not illustrated"

Description	Loc No.
Owner's Manual ASM	001
Printed materials	

6-2. EXPLODED VIEW OF OUTER CASE ASSEMBLY



6-3. EXPLODED VIEW OF TUB ASSEMBLY

