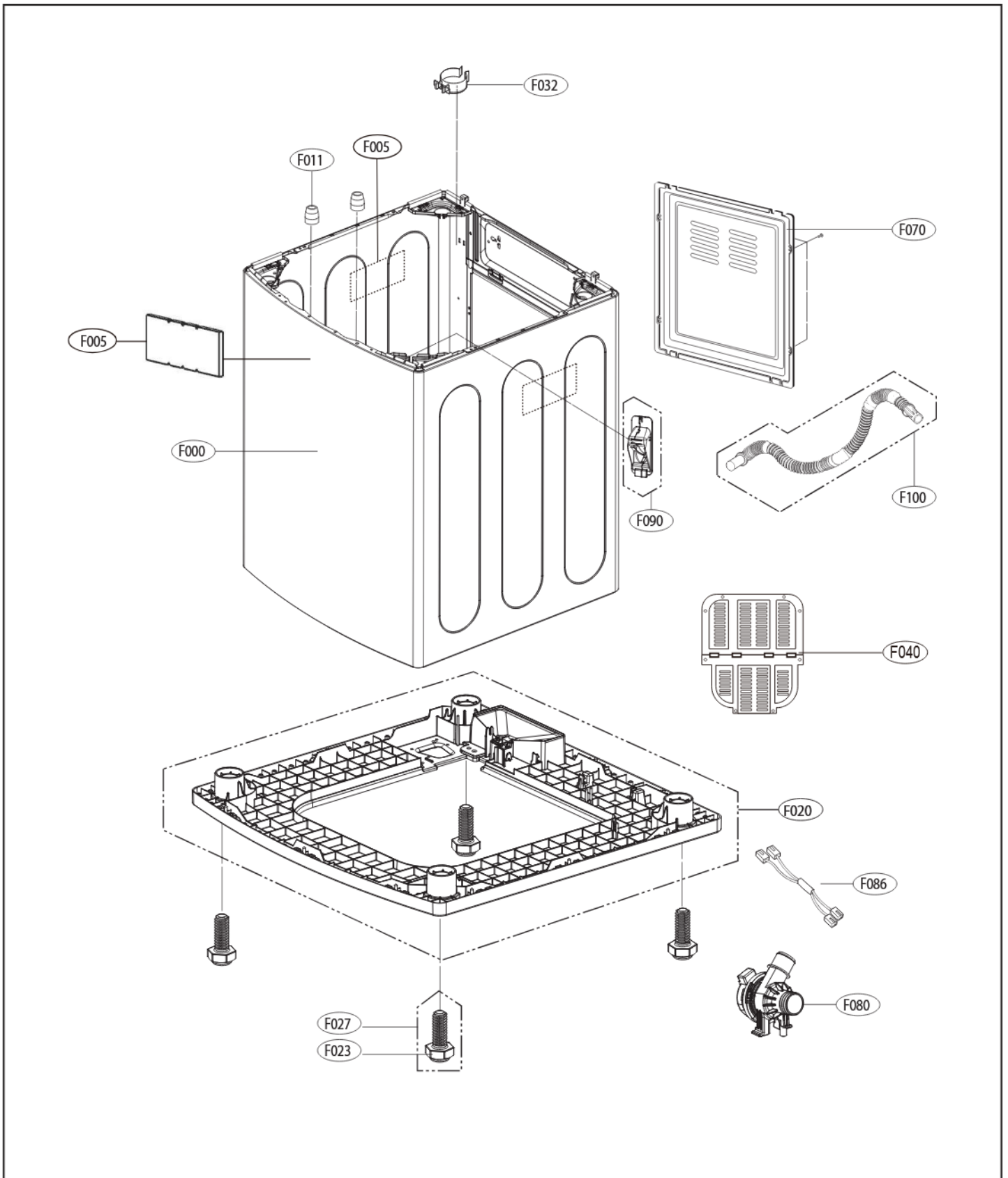


6-2. EXPLODED VIEW OF OUTER CASE ASSEMBLY



6-3. EXPLODED VIEW OF TUB ASSEMBLY

