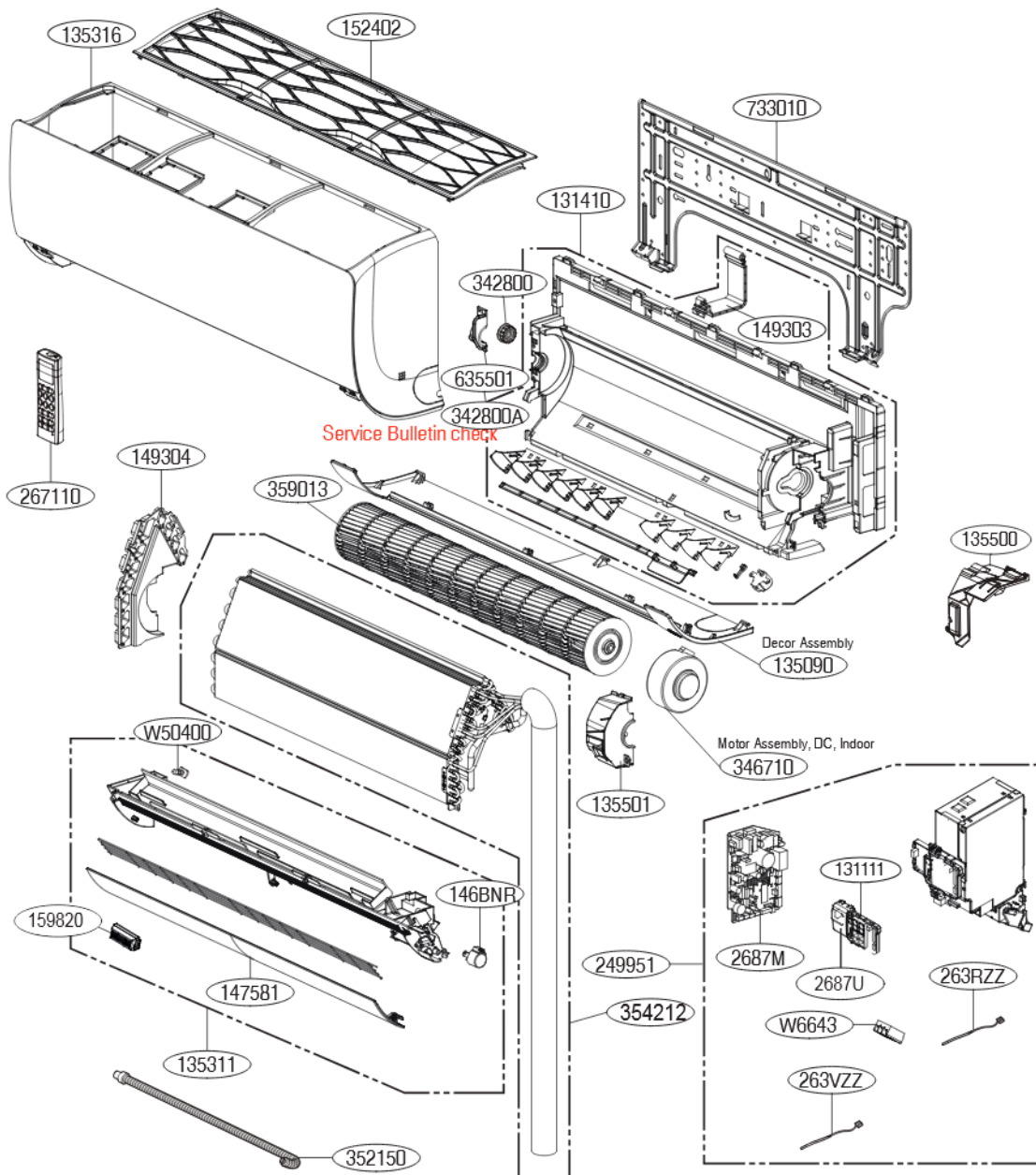


5. Exploded View

Indoor Unit



| LOC. | Description | Connector |
|--------|--|-----------|
| 263RZZ | Thermistor for indoor air temperature | CN-TH1 |
| 263VZZ | Thermistor for evaporator middle temperature | CN-TH3 |

Note) Please ensure GCSC since the replacement parts may be changed depending upon the buyer's request. Please check the correct parts in View RPL(Replacement Part List) on GCSC. (GCSC Website <http://www.lge.com>)

