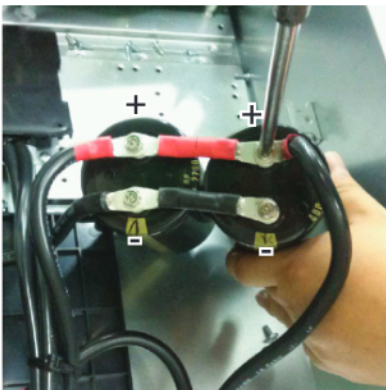
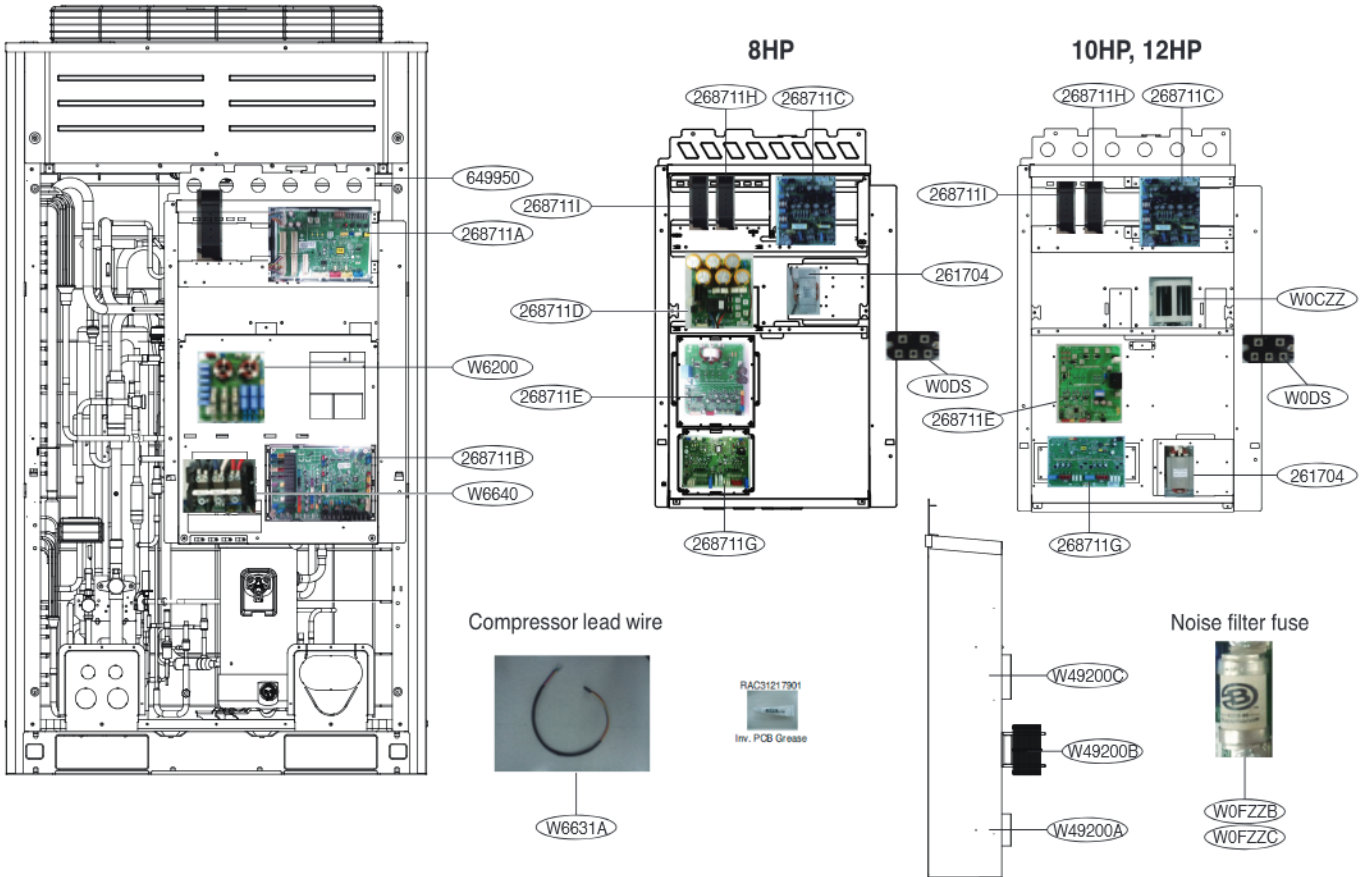


6. Exploded View

Outdoor Unit

6.1.1 8HP~12HP (UX2 1 Comp)

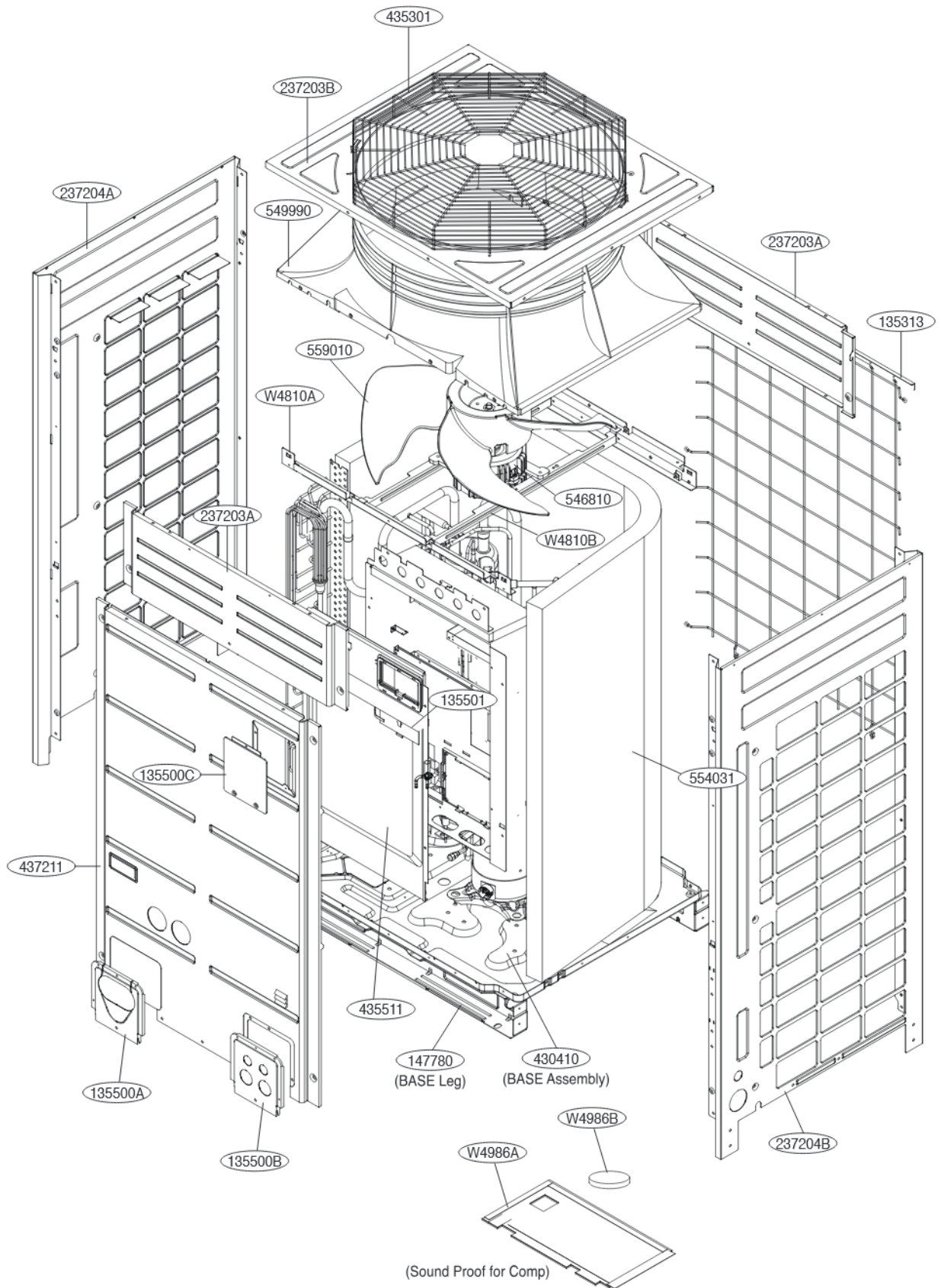


※ 10HP, 12HP

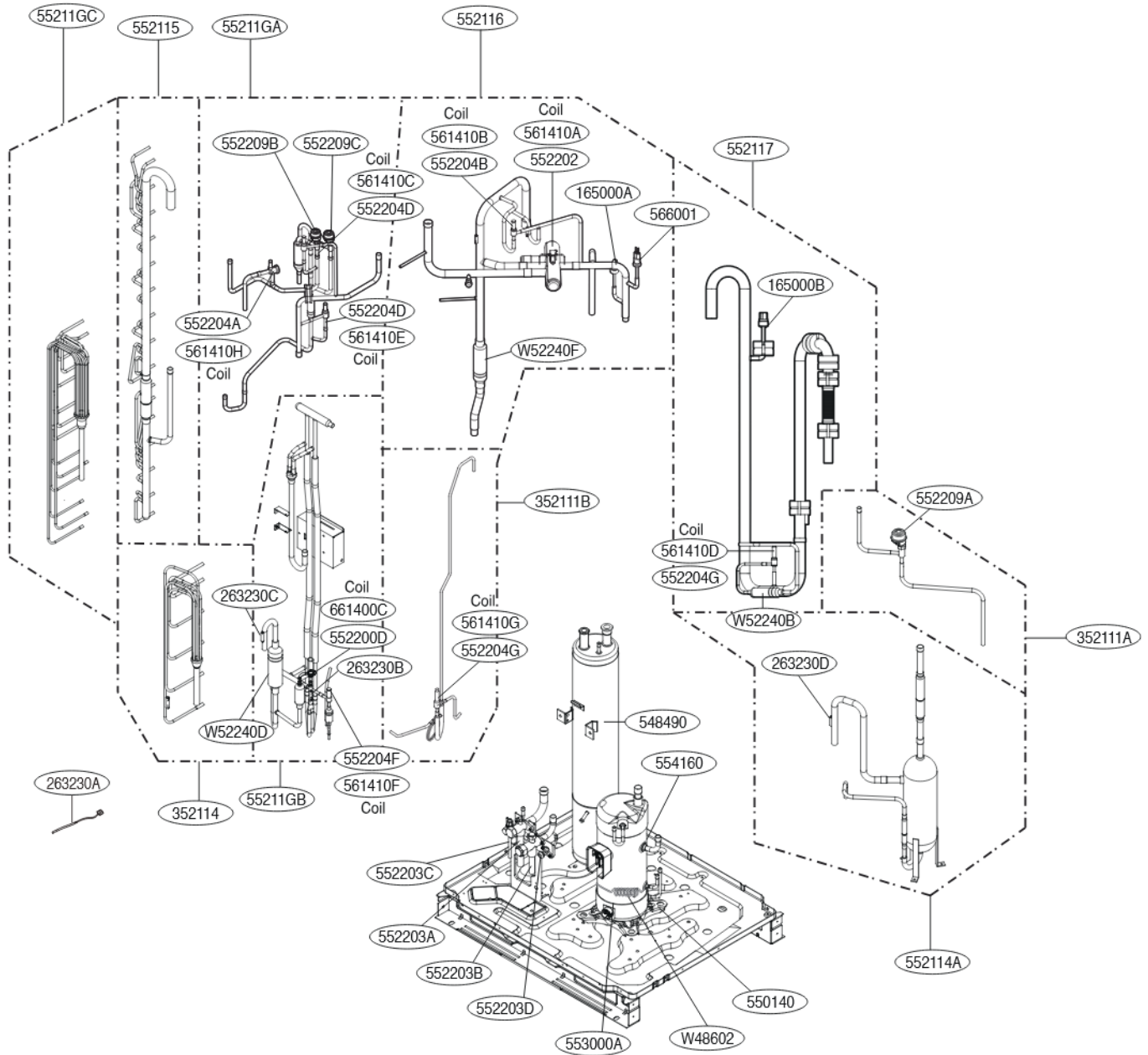
- * When you change the capacitor, terminal interference is prevented
- * Terminal are segregated from + , -
- * Assembly Torque 25~30kgf-cm

Part	SVC Location No.	Description
Noise Filter Fuse(8HP)	W0FZZB	Fuse, Time delay
Noise Filter Fuse(10HP)	W0FZZC	Fuse, Time delay

(UX2 1 Comp)



(UX2 1 Comp)



Part	L/No	Sensor location	Housing color
Temp. Sensor 1	263230A	Air	green
Temp. Sensor 2	263230B	Suction Pipe + HEX1(Temp. Sensor) + Inv.1 Discharge	purple
Temp. Sensor 3	263230C	Sub Cool Out + HEX2(Upper Temp. Sensor) + Liquid Pipe	yellow
Temp. Sensor 4	263230D	HEX3(Low Temp. Sensor) + Sub Cool In	black

