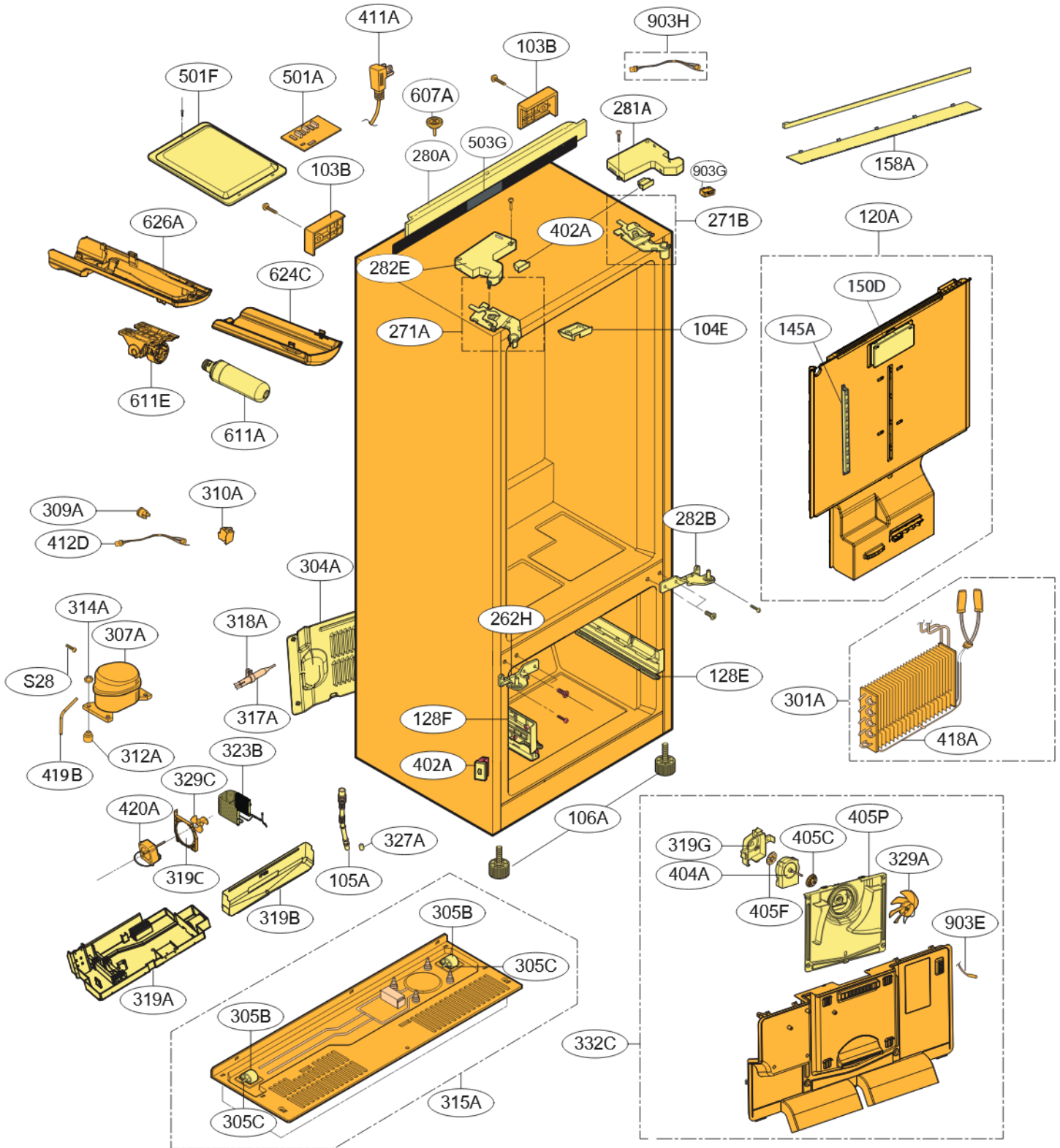




14.EXPLODED VIEW & REPLACEMENT PARTS LIST

CASE PARTS

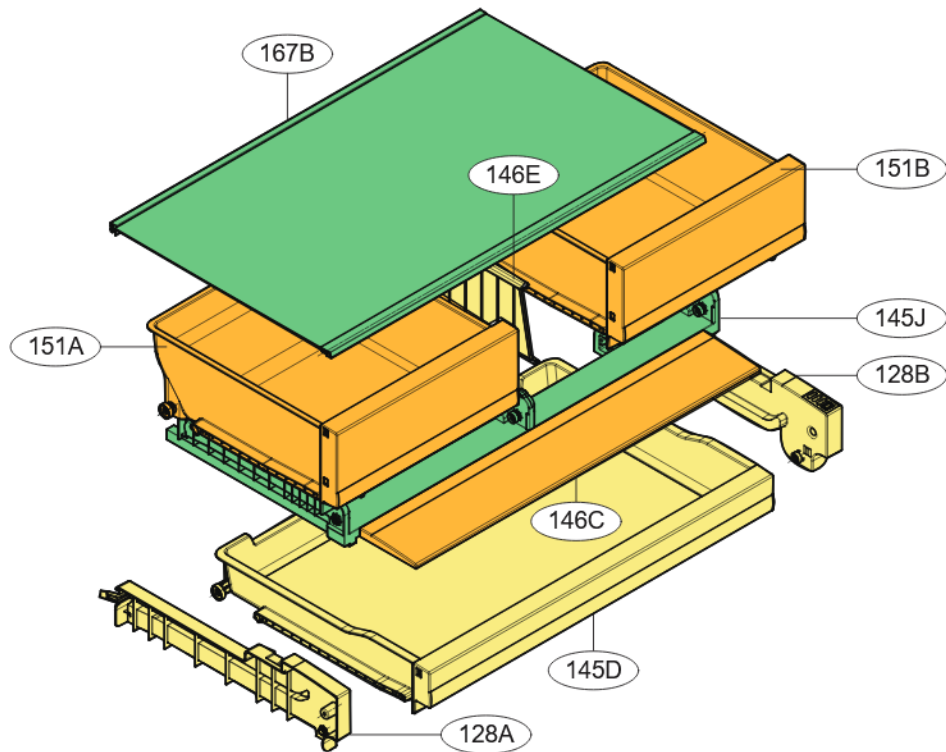
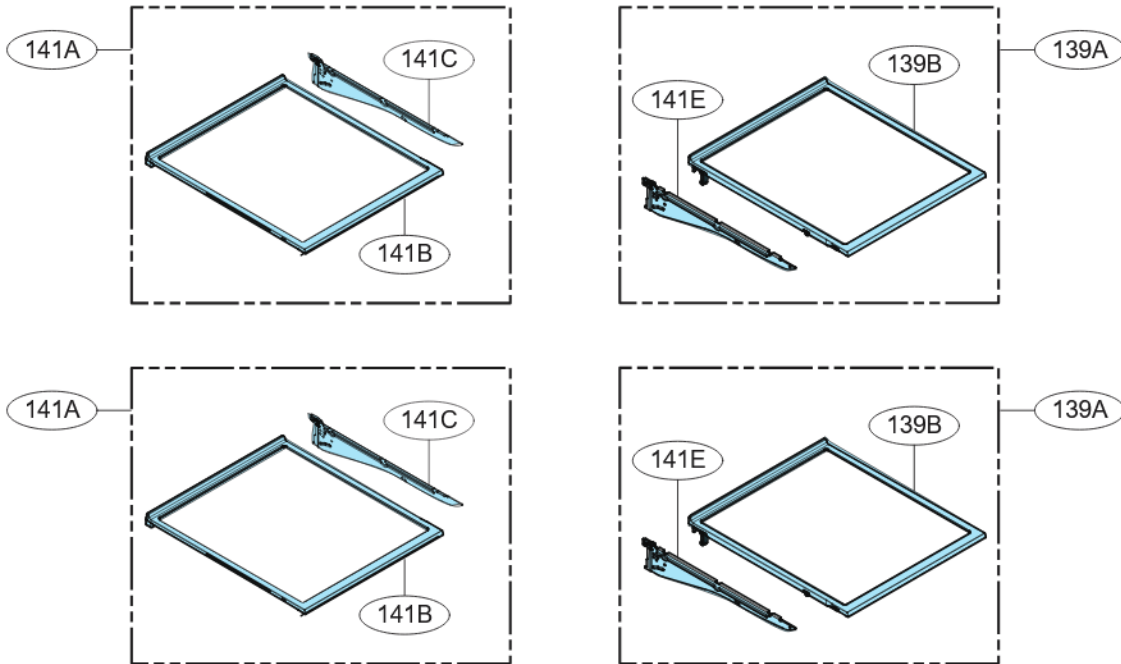
CAUTION: Use the part number to order part, not the position number.





REFRIGERATOR PARTS

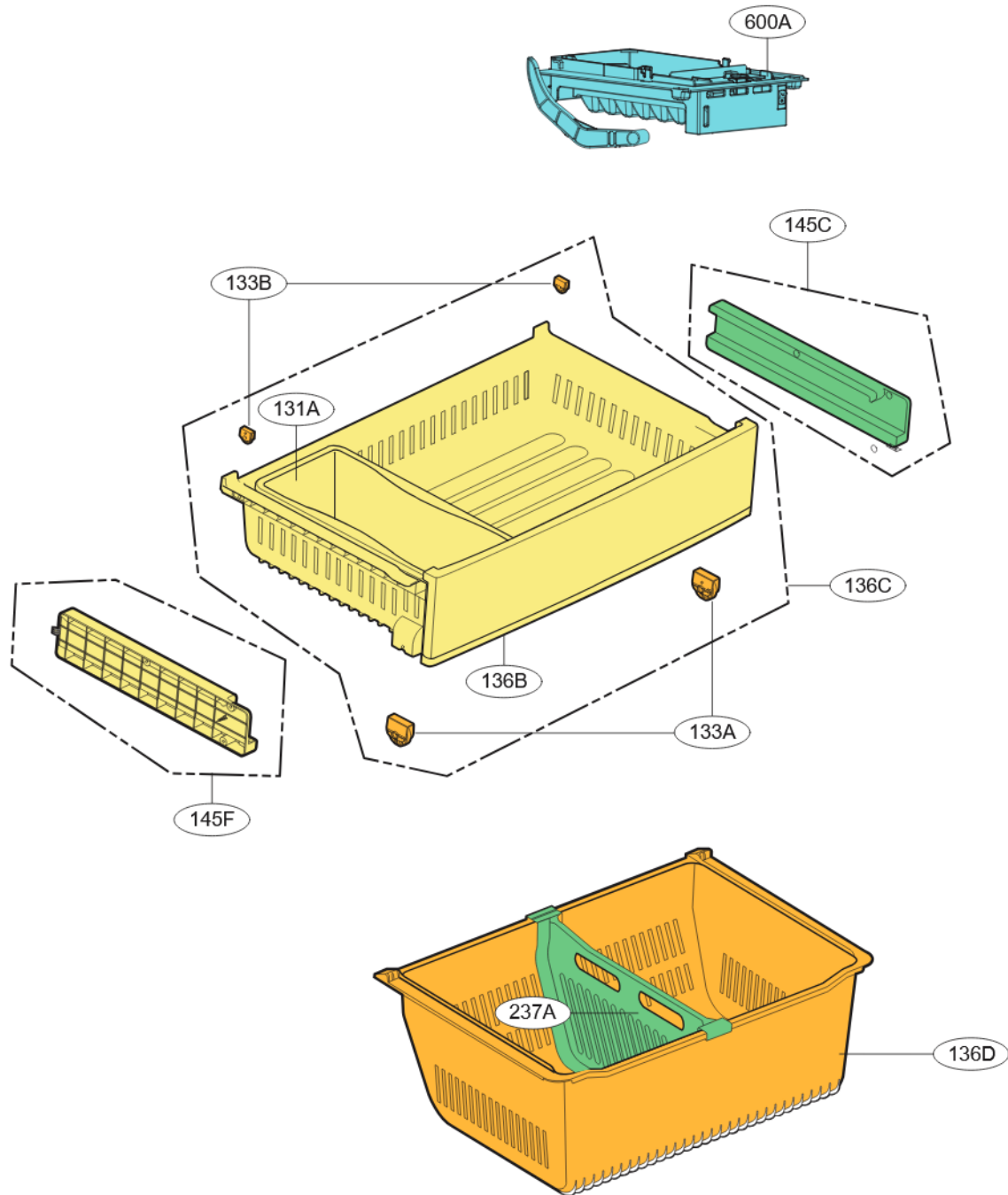
CAUTION: Use the part number to order part, not the position number.





FREEZER PARTS

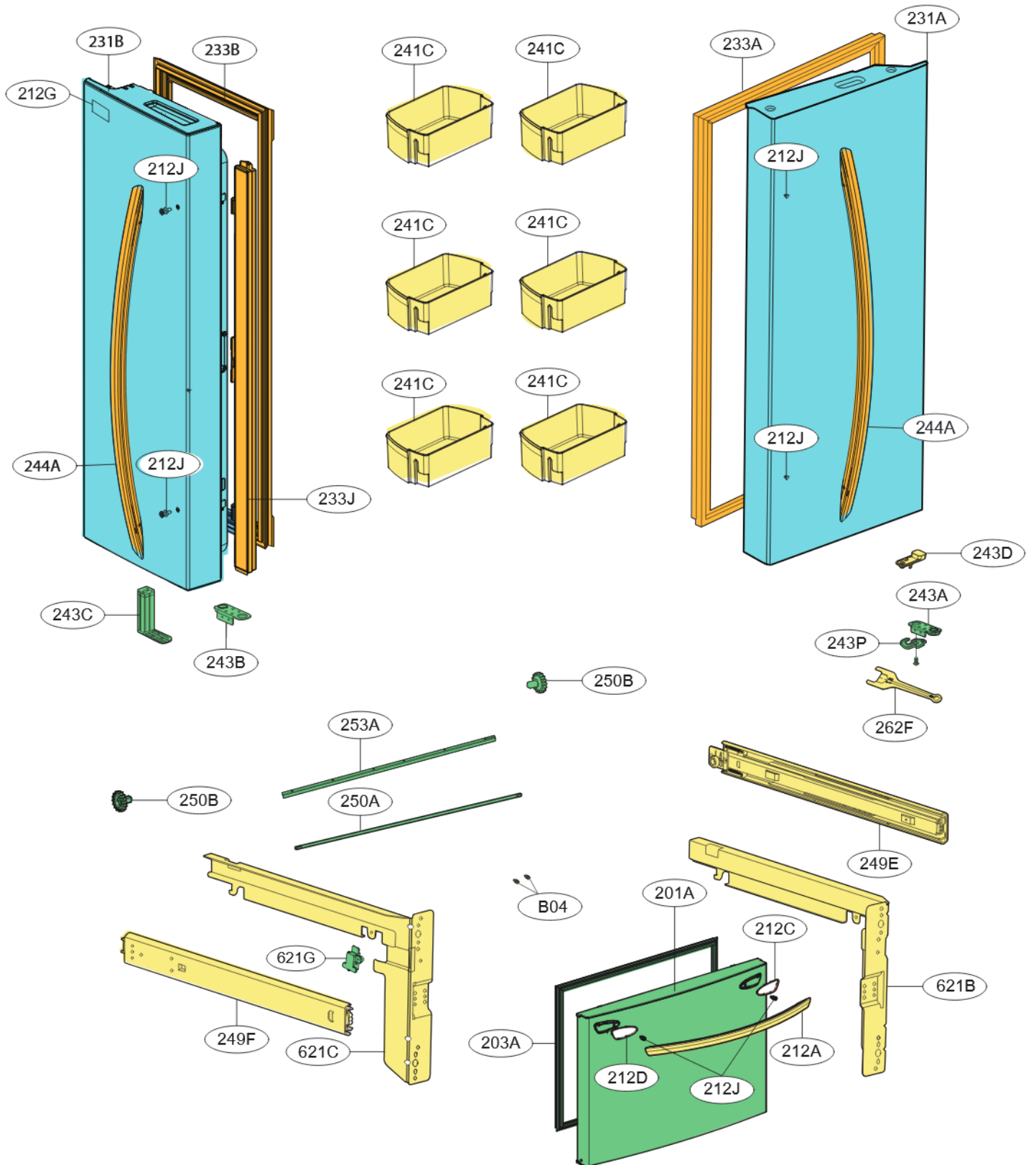
CAUTION: Use the part number to order part, not the position number.





DOOR PARTS

CAUTION: Use the part number to order part, not the position number.





#EV#

VALVE & WATER TUBE PARTS

CAUTION: Use the part number to order part, not the position number.

