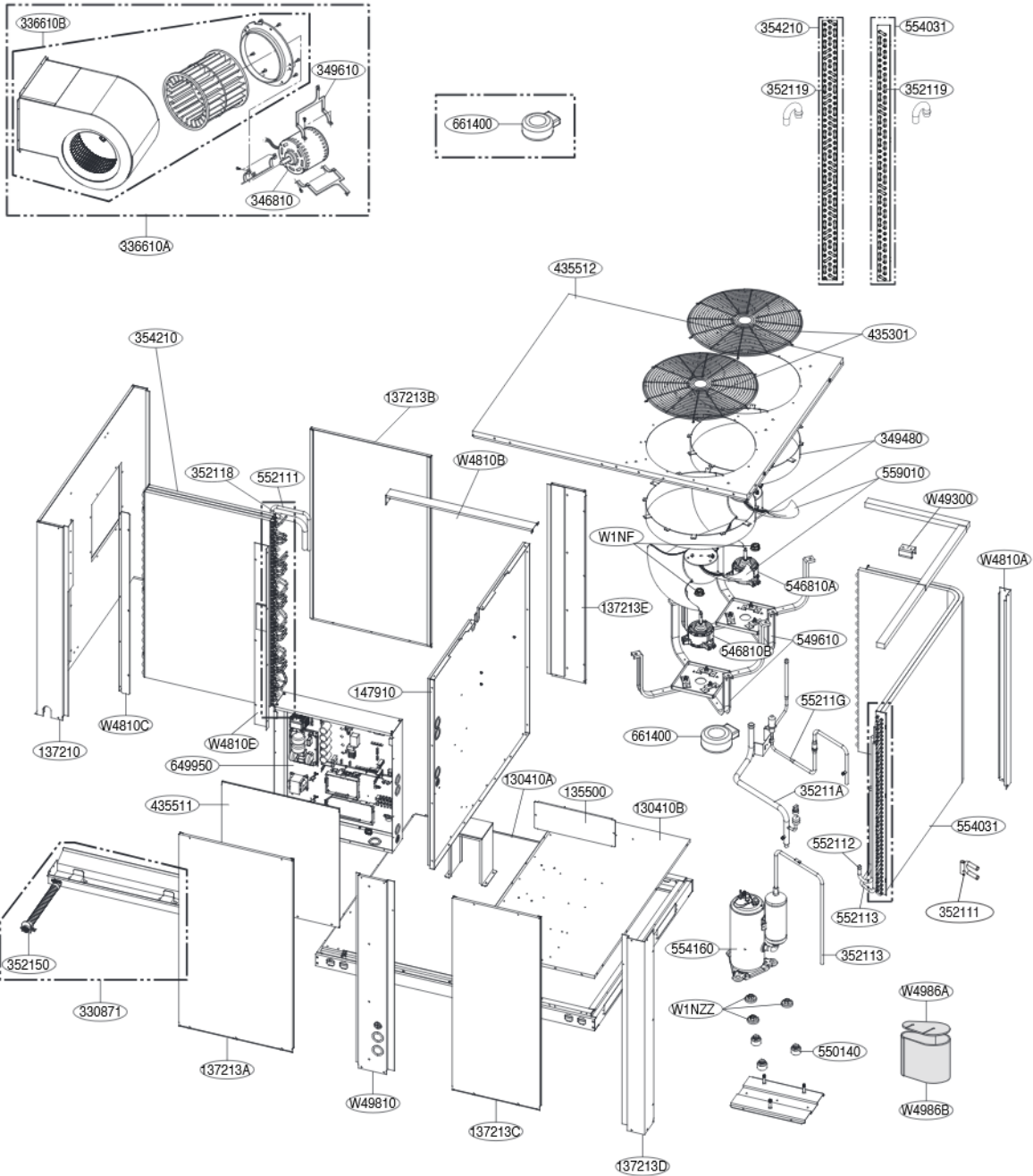
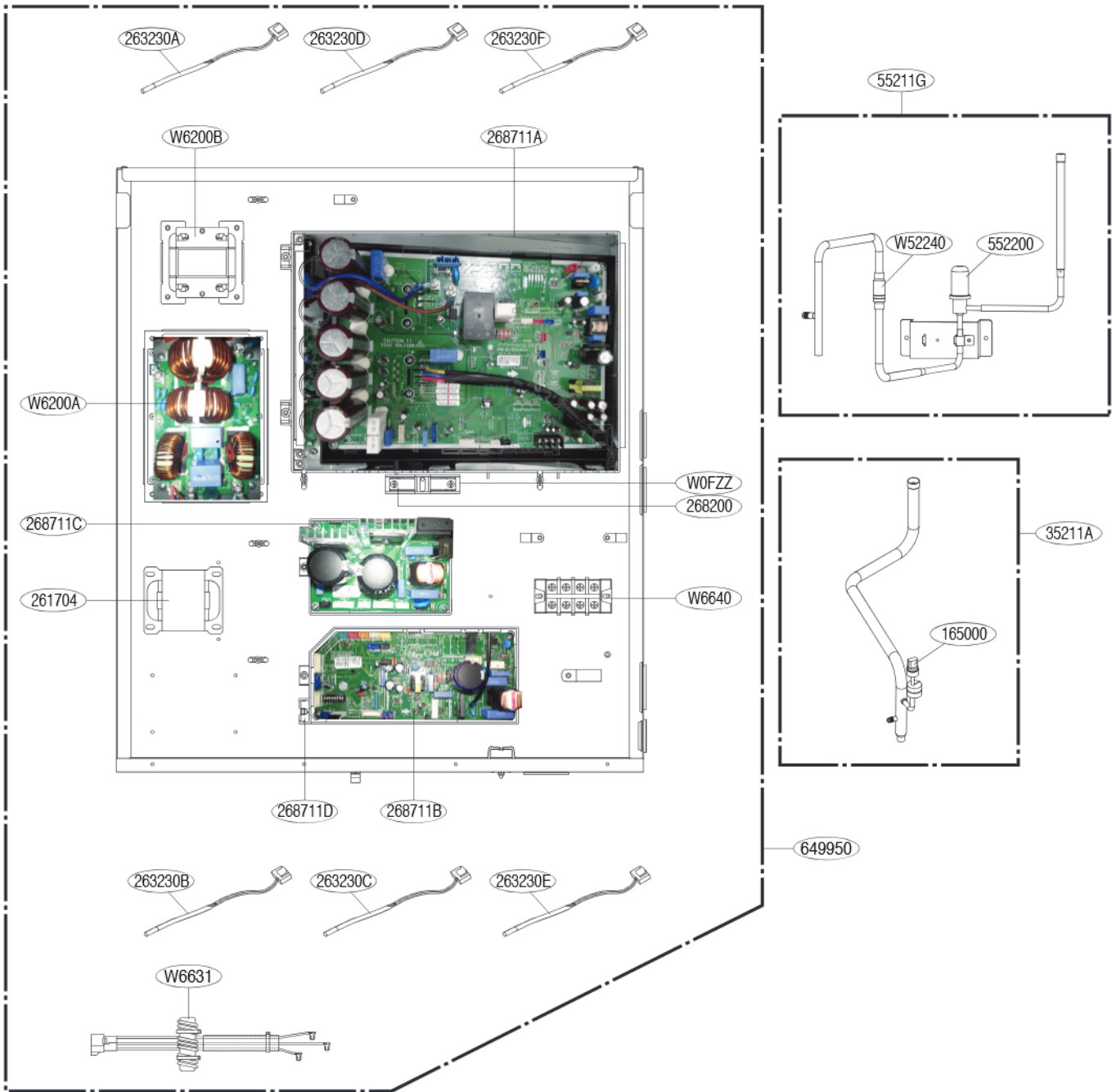


5. Exploded View

■ Model: AK-Q036GH50 / AK-Q048GH50 / AK-Q060GH50



Part	L/No	Location	Q'ty	Remark
Return Bend	352119	Evaporator	-	-
Return Bend	352119	Condenser	-	-
Tube Assembly,Expansion	55211G	Outdoor unit	1	-
Tube Assembly,Suction	35211A	Compressor connection	1	-
Tube Assembly,Capillary	552111	Evaporator connection	1	-
Tube Assembly,Manifold(Indoor)	352118	Evaporator connection	1	-
Tube Assembly,Condenser(In)	552112	Condenser connection	1	-
Tube Assembly,Condenser(Out)	552113	Condenser connection	1	-
Tube Assembly,Discharge	352113	Compressor connection	1	-



Part	L/No	Sensor Location	Housing color
Temperature Thermistor 1	263230A	Discharge	Red
Temperature Thermistor 2	263230B	Manifold pipe	Red
Temperature Thermistor 3	263230C	Capillary pipe	White
Temperature Thermistor 4	263230D	Condenser mid	Blue
Temperature Thermistor 5	263230E	Air-Inlet	Yellow
Temperature Thermistor 6	263230F	Air-Outlet	White

