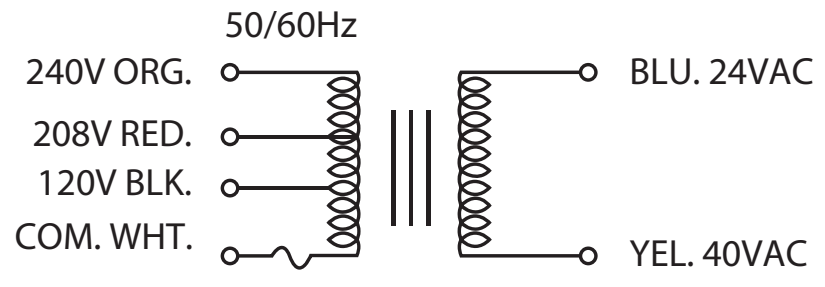
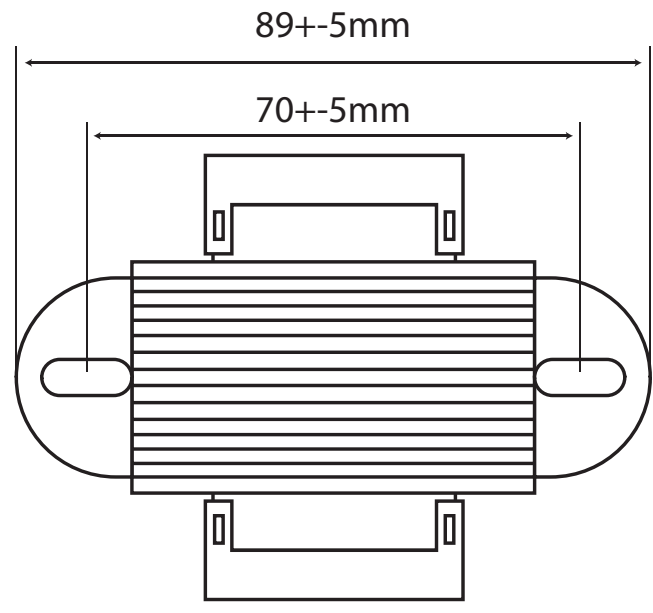
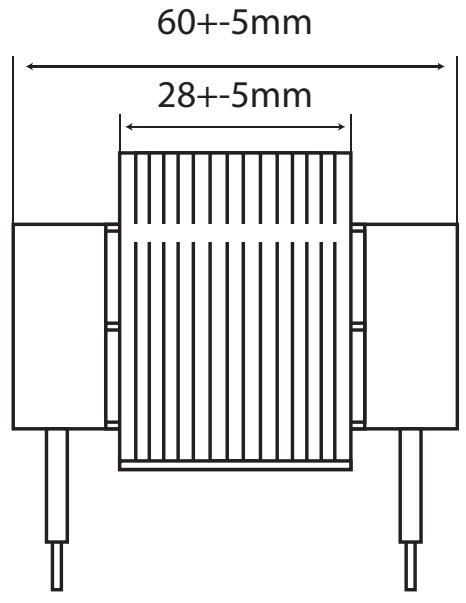
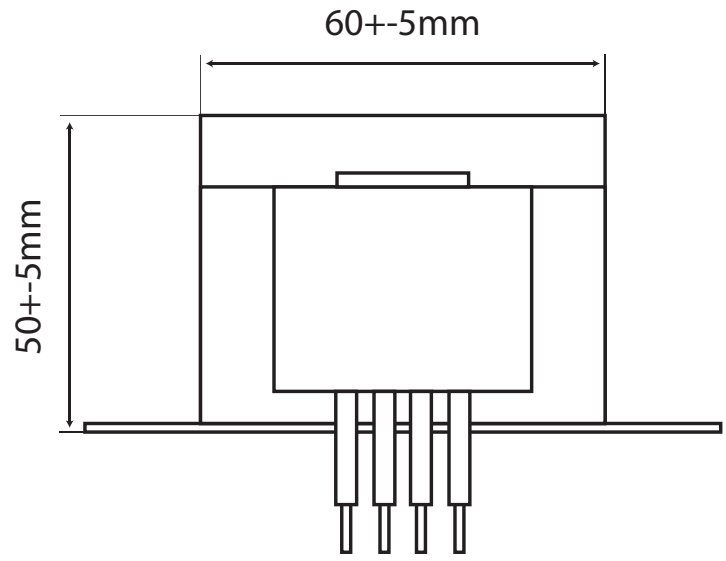


ESPECIFICACIONES TRANSFORMADOR 40V



2A/130°C/250VAC

PRI.: UL 1015 18AWG LENGTH 220+-10mm
IN COLOR "WHITE", "BLACK", "RED" & "ORANGE".

PRI.: UL 1015 18AWG LENGTH 220+-10mm
IN COLOR "BLUE", "YELLOW".

