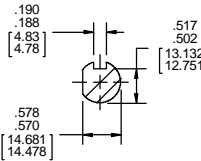
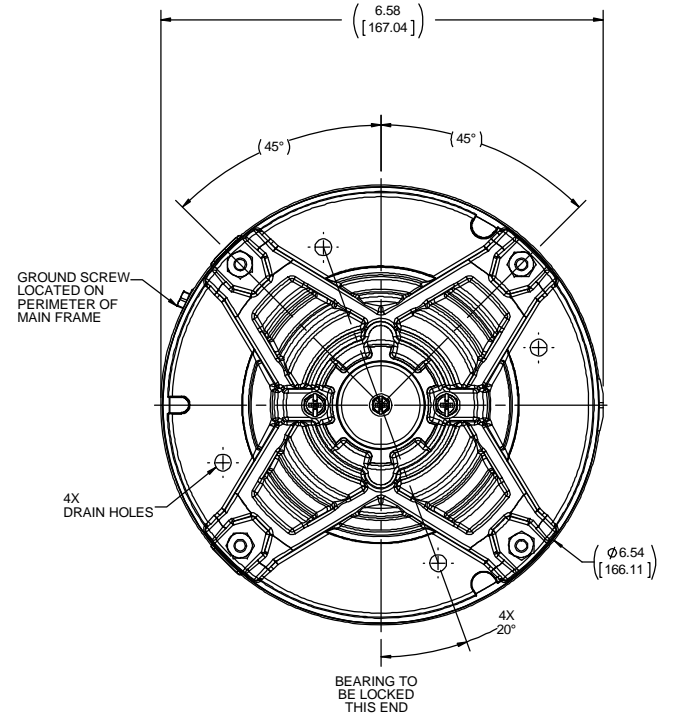
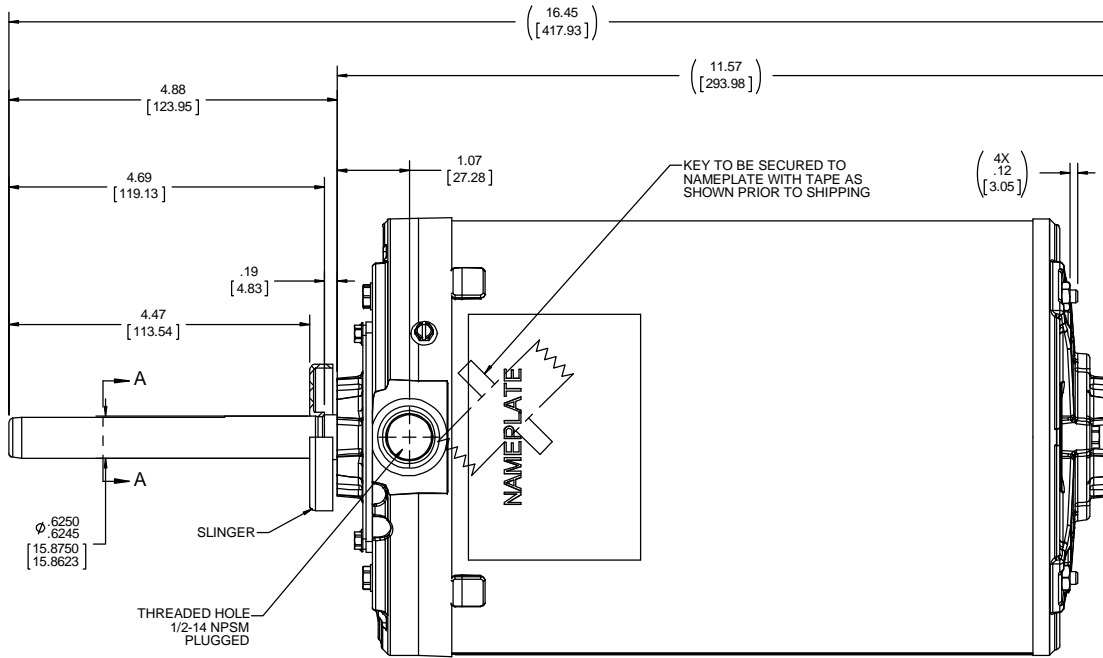
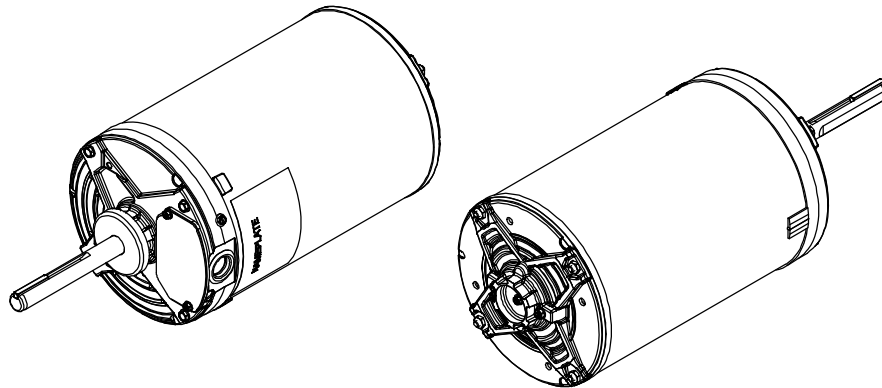


SECTION B-B



SECTION A-A



DRAWING REVISION A		REVISION BY	DATE	TOLERANCES UNLESS OTHERWISE SPECIFIED:		DRAWN BY R.ZAMARRON		Regal Beloit America, Inc.	
ECO	ECO-0143739	APPROVED BY	DATE	DEC.	INCH	mm	ANGLE		DATE
ECO DESCRIPTION NMR RELEASE				.X	±0.1	[±2.5]	±0.5°	APPROVED BY	
COPYRIGHT REGAL BELOIT AMERICA, INC. ALL RIGHTS RESERVED. PROPRIETARY AND CONFIDENTIAL INFORMATION. THIS DOCUMENT IS THE PROPERTY OF REGAL BELOIT AMERICA, INC. FORMERLY AND CONTAINS OWNERS PROPRIETARY INFORMATION. ANY PERSON, CORPORATION OR OTHER FIRM RECEIVING IT IS DEEMED BY RECEIVING IT, TO AGREE THAT IT, AND/OR ANY PART OF IT, SHALL NOT BE DISCLOSED TO ANY PERSON, CORPORATION OR OTHER ENTITY, DUPLICATED, AND/OR USED, EXCEPT AS EXPRESSLY APPROVED IN WRITING IN ADVANCE BY OWNER. THIS DOCUMENT SHALL BE RETURNED TO OWNER UPON REQUEST. IT MAY BE SUBJECT TO CERTAIN RESTRICTIONS UNDER APPLICABLE EXPORT CONTROL LAWS AND REGULATIONS.				.XX	±0.03	[±0.76]		DATE	
				.XXX	±0.005	[±0.127]		REFERENCE	
				.XXXX	±0.0005	[±0.0127]		MATERIAL	
				REMOVE BURRS & BREAK SHARP EDGES: .0031 015 [076/351] X 45° CORNER FILLETS: R.02 [51]				DESCRIPTION	OUTLINE
				MACHINED SURFACES: .125/ 3.2 INCH/ mm SHOWN IN [BRACKETS]				PROCESS/FINISH	56FR, TEAO, ROUND
				THIRD ANGLE PROJECTION		SIZE		DRAWING NUMBER	OL56100344-001
						SHEET		1 OF 1	