

GENERAL INFORMATION:

SHAFT RUNOUT: .001 [.025] T.I.R. PER INCH LENGTH OF EXTENSION

BEARINGS: BALL

MOUNTING POSITION: ALL ANGLE

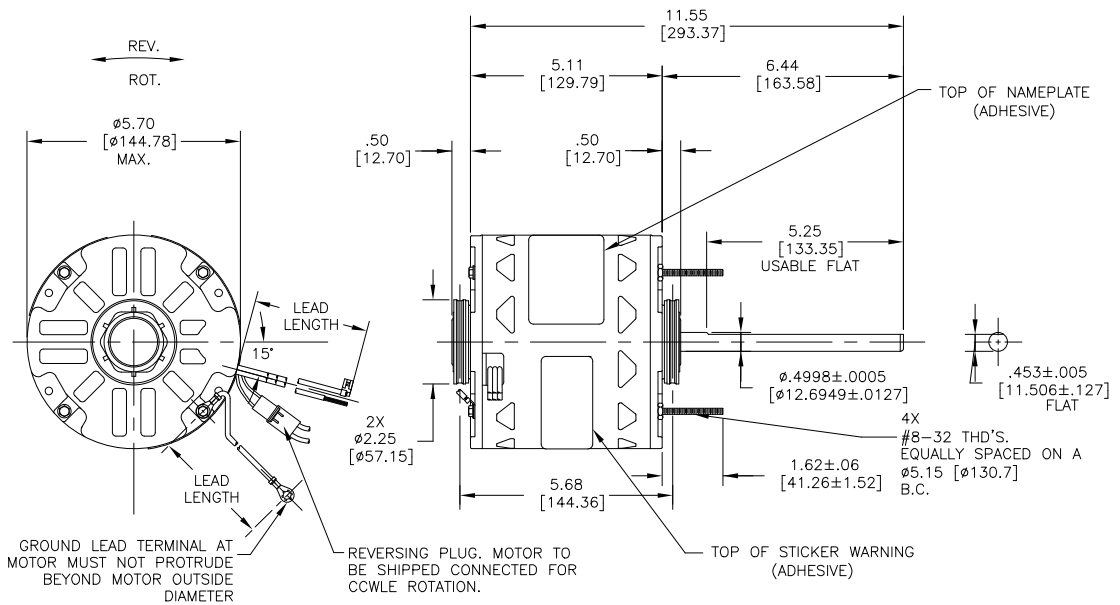
ELECTRICAL DATA:

OVERLOAD PROTECTOR: AUTOMATIC RESET SENSATA 7AM 032

LEADS: NO. 18 GA., .06 [1.52] THK., EPDM 125°C INSUL.

REVERSING LEADS: NO. 18 GA., .03 [.76] THK., XLP 125°C INSUL.

GROUND LEAD: NO. 18 GA., .03 [.76] THK., GREEN INSUL.



- NOTES:
- SNAP RINGS 615035 4 REQUIRED TO BE PACKED WITH EACH MOTOR
 - DISTRIBUTION: CUST. P/N: FD1054 GRAINGER: CUST. P/N: 4MA90
 - THE SYMBOL OF CTQ: ▲ (NO CTQ ON THIS DRAWING)
 - .MEET THE REQUIREMENT OF ROHS AND REACH: SEE EP000014_5.1

NAMEPLATE DATA: SEE NOTE 2

EXTERNAL CONNECTION DIAGRAM

MODEL NO: F48SN4L7
CUST. P/N: []
HP: 1/2
ROT.: REVERSIBLE
RPM: 1625/3 SPD.
TYPE: UF
FRAME: 48Y
VOLTS: 208-230
PH: 1
AMPS: 2.8 (5.0 MAX)
HZ: 60
INS.: A
AMB: 40°C
DUTY: AIR OVER
CAP.: 7.5 MFD/370V
ENCL: OPEN
CSA LOGO
UL LOGO
THERMALLY PROTECTED

BROWN SEP. CAP.
BROWN/W. [Symbol]

YELLOW [Symbol]

BLACK HI
BLUE MED
RED LO

ROTATION: BLACK CCWLE, WHITE CWLE

614131-111

GREEN(GRD)	12/13 [305/330]	#10 EYELET
BLACK/WHITE	3/5 [76/127]	REVERSING PLUG
BROWN	26/28 [660/711]	.25[6.35] FLAG
BROWN/WHITE	26/28 [660/711]	.25[6.35] FLAG
YELLOW	26/28 [660/711]	.50[12.70] SKIN
BLACK	26/28 [660/711]	.50[12.70] SKIN
BLUE	26/28 [660/711]	.50[12.70] SKIN
RED	26/28 [660/711]	.50[12.70] SKIN
COLOR	LENGTH	TERMINAL OR STRIP LENGTH

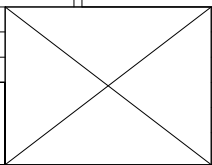
REGAL-BELOIT CORPORATION (RBC) PROVIDES TECHNICAL ASSISTANCE TO OUR CUSTOMERS IN SEVERAL AREAS. SINCE RBC DOES NOT RECEIVE ALL DATA CONCERNING THE USE AND APPLICATION OF THE MOTOR, THE SUITABILITY OF THE MOTOR FOR THE APPLICATION MUST BE DETERMINED BY THE CUSTOMER.

DIMENSIONS WITHOUT TOLERANCES ARE FOR REFERENCE ONLY.

MAIN FR. - OLE	OPEN
END FR. - OLE	OPEN
MAIN FR. - LE	OPEN
END FR. - LE	OPEN

PERFORMANCE CURVE NO.	TORQUE @ 1625 RPM (25°C)	APPROVED SAMPLE	UL COMPONENT	CSA
C23338	38.0 OZ. FT.	EX11400	E46412 PRGY2	LR4-3341 4211-01

DRAWING REVISION	REVISION BY	DATE
DA	ANJANI	11-11-2024
ECO	APPROVED BY	DATE
ECR-0238477	KEP	11-11-2024
ECO DESCRIPTION		
REMOVED CONSERVATION LABEL AS PER ECR		



ENCLOSURE

DRAWN BY: HANNA.ZOU
DATE: 08-07-2017
APPROVED BY: JASMINE.ZHU
DATE: 08-07-2017
PROCESS/FINISH: -
THIRD ANGLE PROJECTION

REGAL Beloit America, Inc.
MODEL-RFHP-48FR OUTLINE

SIZE DWG NO: C FD1054
SHEET 1