

- NOTES
1. THRU AIR SPACING BETWEEN WIRE AND METAL .094 MIN.
 2. TIE BOLT TORQUE TOLERANCE 7-12 IN. LBS.
 3. FOR WASHER SET-UP, SEE CHART C600 0279, DETAIL "A".
 4. SALES TO SPECIFY ON P.O. WHICH PACK TO USE.

ECO	REV.	DATE	SPEC/CHECK
641313	10	06-02-10	GAE/GAE
631708	7	9-8-03	MKR/MKR
638462	8	08-01-08	GAE/GAE
639119	9	02-27-09	GAE/GAE

A. SEE PACKAGING MANUAL PAGE 2 FOR PACKAGING PROCEDURES.

1 MOTOR/CARTON;
10 MOTORS/LAYER;
7 LAYERS/PALLET;
70 MOTORS/PALLET.

B. SEE DRAWING 8785 6079 SH. 7 FOR PALLET LAYOUT.

C. CENTER LABEL, 6119 6591, ON END OF CARTON.

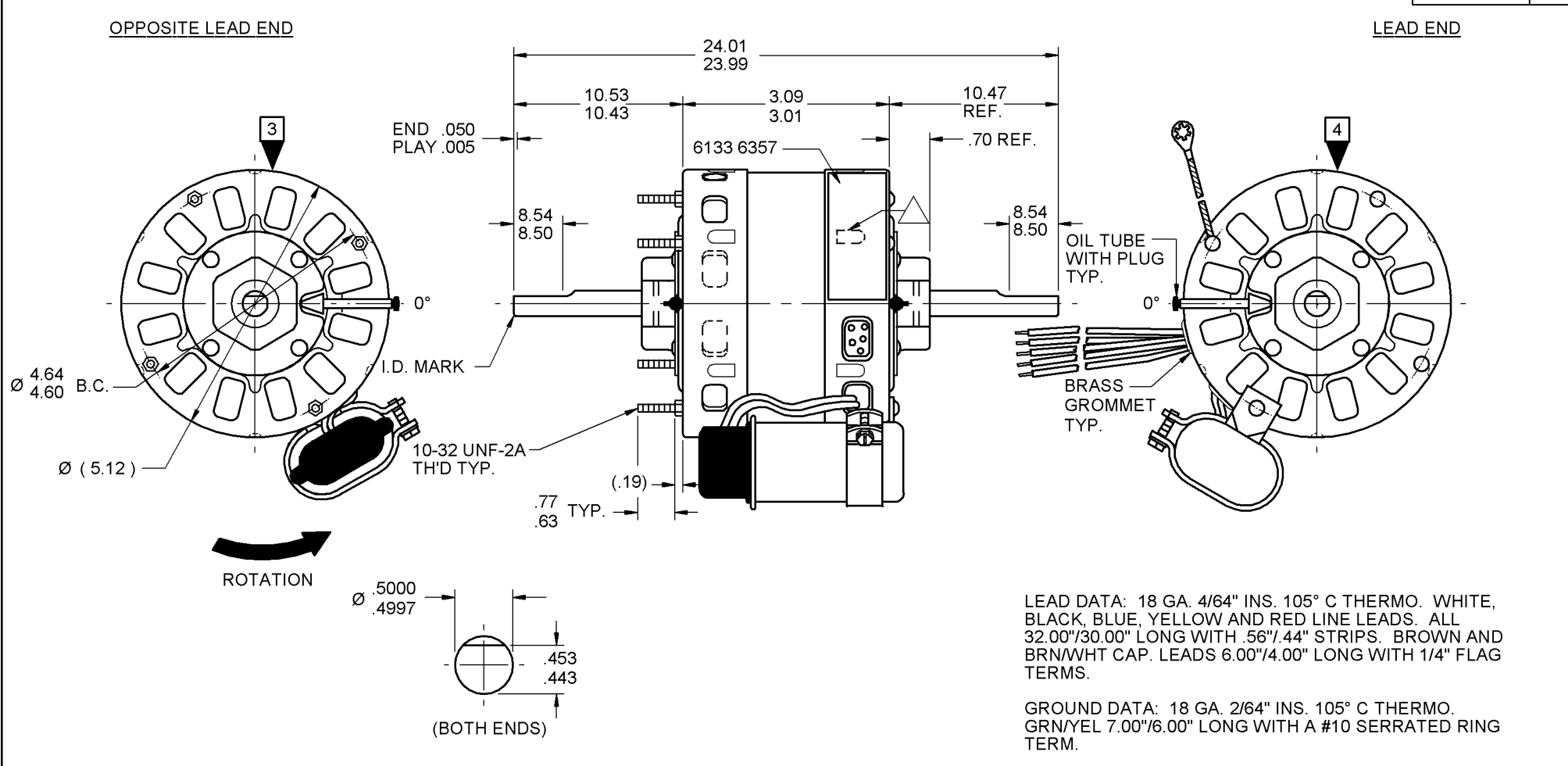
D. PLACE PAMPHLET, 6122 4579, IN CARTON WITH MOTOR.

If Printed, this is an Uncontrolled Document

PRODUCTION TEST AT IDLE 115 VOLTS 60 HZ		MOTOR SPEED	PERFORMANCE TEST 115 VOLTS 60 HZ 1 PH 1/8 HP CAP. 5 MFD 370 VAC												
AMP	WATT		IDLE			LOADED				LOCKED			BREAK		
			RPM	AMP	WATT	OZ/IN	RPM	AMP	WATT	OZ/IN	AMP	WATT	OZ/IN		
1.20	.98	72.6	59.4	HIGH	1790	1.09	66	100	1550	2.09	224	26	3.31	354	103
.66	.54	45.1	36.9	MED. HIGH	1785	.60	41	69	1550	1.45	153	17	2.44	248	71
.45	.37	33.0	27.0	MED. LOW	1783	.41	30	50	1550	1.07	111	13	1.90	189	56
.29	.23	23.1	18.9	LOW	1769	.26	21	28	1550	.65	65	7	1.19	110	31

HI-POT TEST 2000 VOLTS
MAX LEAKAGE CURRENT 5 mA

7184 0015 MA



7184 0015 = MADE IN U.S.A.
7184 0015R = ASSEMBLED IN MEXICO

FASCO FASCO INDUSTRIES, INC. MOTOR DIVISION

V. 115 INS CL B 40° C AMB TYPE U184B1 ROT HP 1/8-1/10-1/15-1/20 CAP 5 MFD 370 VAC AMP 2.3-1.6-1.2-.7 HZ 60 AO NO. 7184-0015 RPM 1550 (4 SPD) THERMALLY PROTECTED PH 1

MODEL D347

CONNECTION DIAGRAM
BRN — CAPACITOR
BRN/WHT — LINE
WHT — LINE
BLK-HI — LINE
BLU-M. HI — LINE
YEL-M. LO — LINE
RED-LO — LINE

SAFETY WARNING
THIS MOTOR MUST BE GROUNDED IN ACCORDANCE WITH LOCAL OR NATIONAL ELECTRICAL CODES TO PREVENT POSSIBLE INJURY DUE TO ELECTRICAL SHOCK

DATE/BAR CODE AREA PER 8882 6003

6133 6357,R REV. 3

LOCATE NAMEPLATE .05 FROM EDGE OF LEAD END COVER TO READ RIGHT FROM LEAD END OF MOTOR CENTER AT 40° CWL.

SIZE 3.50 X 1.00

SPECIAL INSTRUCTIONS: FLATS TO BE PARALLEL WITHIN ±20°. SHAFT IS BONDERIZED. ROTOR IS RUSTPROOFED. CAPACITOR MUST NOT OVERHANG FRONT END OF MOTOR.

△ LANCE MUST BE COMPLETELY COVERED BY NAMEPLATE. PAMPHLET PACKED WITH MOTOR.

MOTORS PACKED MAX. PER SKID: ___ PALLET PACK, 70 CARTON PACK, ___ TRAY PACK.

CUSTOMER: FASCO DISTRIBUTING CO. PROPRIETARY: DO NOT DUPLICATE OR DISCLOSE TO THIRD PARTIES WITHOUT WRITTEN PERMISSION OF FASCO IND. INC., ELDON MO.

FASCO INDUSTRIES, INC. MOTOR DIVISION ELDON PLANT

PART NUMBER: D347

APPLICATION: DIST. SALES MOTOR TYPE P.S.C. MOTOR NUMBER 7184 0015 R REV. 10

FINISH COLOR: GRAY

MOTOR WEIGHT: 7.25 LBS.

ENVIRONMENT: WET

INSULATION CLASS: B

B	LA	FR	A	S	C	E	B	A
00	84	10	V	12	AB	8	8	0