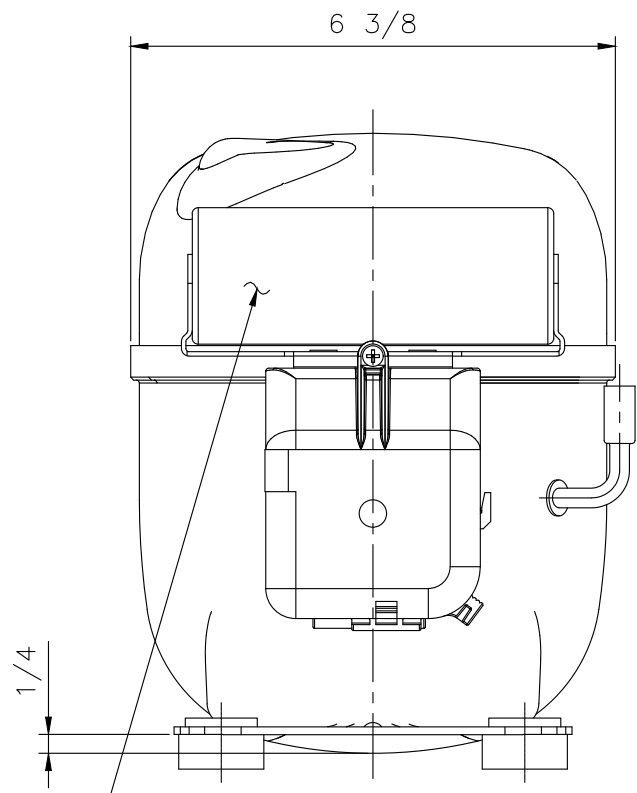
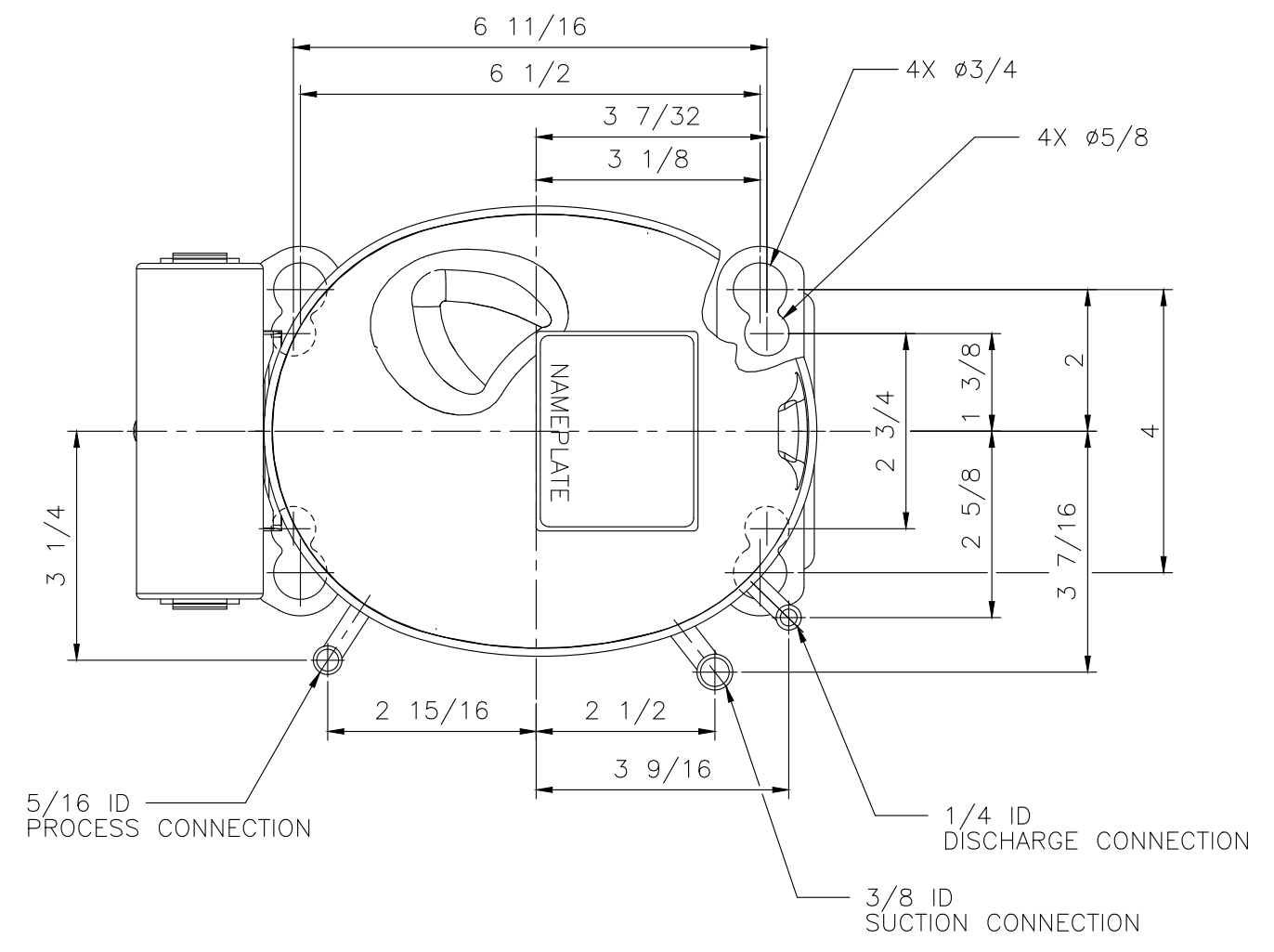
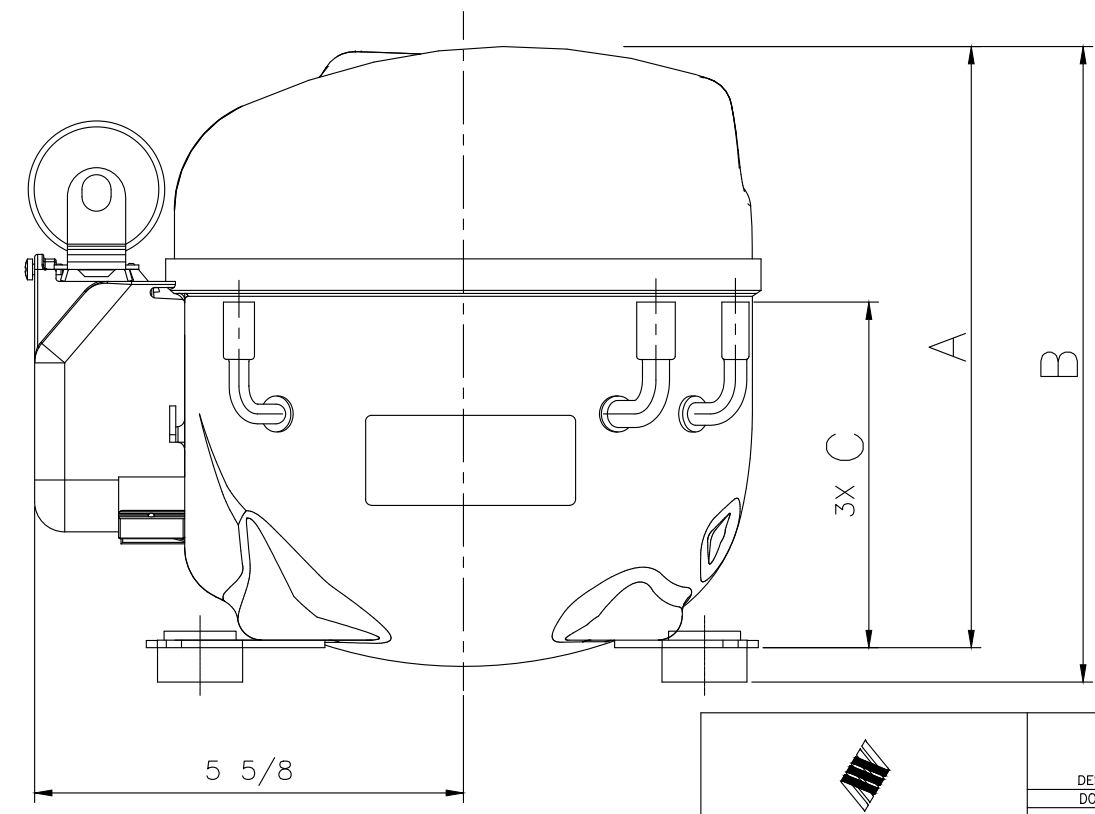


MODEL	A	B	C
ASE24C3E-IAA	7 3/8	7 3/4	4 1/16
ASE24C3E-IAZ	7 3/8	7 3/4	4 1/16

SPECIFICATIONS	
ES NO.	DESCRIPTION
ES92-155	CONVERSION-METRIC



START CAPACITOR
AS REQUIRED
SEE B/M

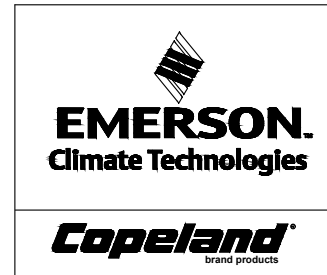


OBSOLETE

ECN314356	3	OBSOLETE	06-04-20	AMR	JSK	JJ
34-0606-019	2	REDRAWN WITH CHANGES	02-12-07	BF	CHK	
32-0300-059	0	RELEASED	03-20-00	WF		
ENG NOTICE NO.	REV.NO.	REVISIONS	DATE	BY	CHKD	APPR

20 CONFIDENTIALITY NOTICE
THIS DRAWING AND INFORMATION CONTAINED HEREIN ARE THE EXCLUSIVE PROPERTY OF EMERSON CLIMATE TECHNOLOGIES, INC. AND SHALL BE RETURNED UPON DEMAND AND SHALL NOT BE REPRODUCED IN WHOLE OR IN PART TO ANYONE ELSE OR USED, WITHOUT THE WRITTEN CONSENT OF EMERSON CLIMATE TECHNOLOGIES, INC.

MATERIAL SPECIFICATION	DRAWN BY	SUPERSEDES DWG. NO. / REV. NO.	
N/A	DJB	497-2776-00 / 1	
DATE	SCALE	DATE	FORMAT:
02-12-07	NONE		MM-DD-YY
TITLE	DRAWING NUMBER SHEET 1 OF 1		DWG
REF DWG - WELD COMP ASSM	497-2776-00		4
			SIZE



INTERPRET PER ASME Y14.5M-1994 AND EMERSON CLIMATE TECHNOLOGIES, INC. DESIGN STANDARDS_DS2002
DO NOT SCALE DRAWING
THIRD ANGLE PROJECTION
UNLESS OTHERWISE SPECIFIED DIMENSIONS ARE INCH OR [MILLIMETER]
TOLERANCES:
2-PLACE ± N/A
3-PLACE ± N/A
ANGULAR ± N/A