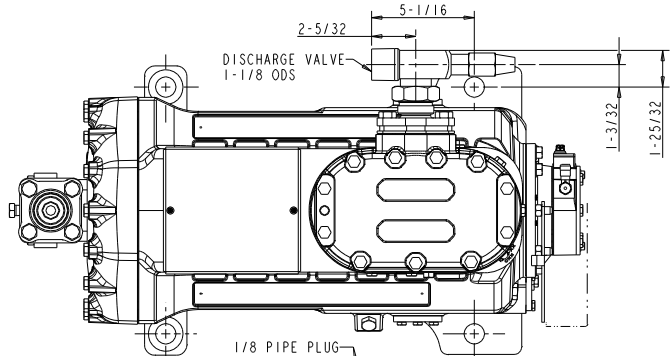
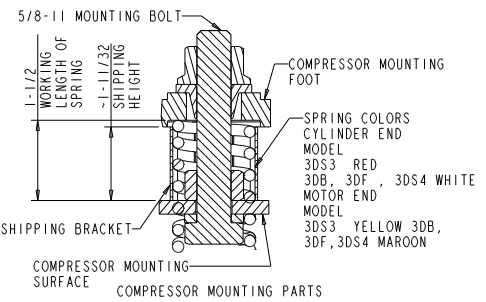
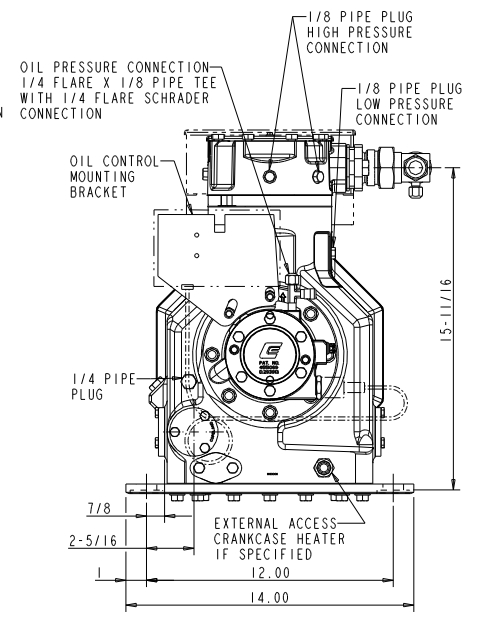
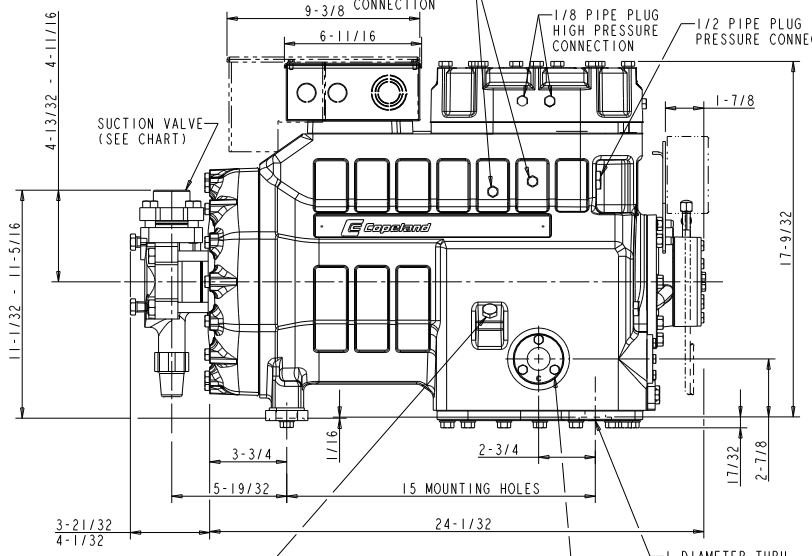
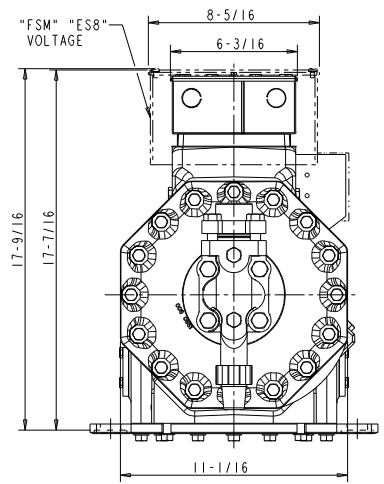


MODEL	SUCTION VALVE	OLD MODEL NUMBER
3DS3R17M	1 5/8 ODS	3DS3A150
3DB4R12M	1 3/8 ODS	3DB4A100
3DF4R15M	1 5/8 ODS	3DF4A120
3DF4S11M	1 5/8 ODS	N/A
3DS4S12M	1 5/8 ODS	N/A

SPECIFICATIONS	
ES NO.	DESCRIPTION
ES81-159	CLEANLINESS
ES81-250	IDENTIFICATION
ES92-155	CONVERSION METRIC



NOTES:
 1 ALL TOLERANCES ARE $\pm 3/32$
 EXCEPT INDUSTRY STANDARDS
 APPLY TO FITTINGS AND VALVES.



ENG NOTICE NO.	REV. NO.	REVISIONS	DATE	BY	CHD APPR
34-0404-052	29	REDRAWN WITHOUT CHANGES	06-11-07	KAP	DE
34-0404-052		RELEASED	12-20-05	RN	

CONFIDENTIALITY NOTICE
 THIS DRAWING AND INFORMATION CONTAINED HEREIN ARE THE EXCLUSIVE PROPERTY OF EMERSON CLIMATE TECHNOLOGIES, INC. AND SHALL BE RETURNED UPON DEMAND AND SHALL NOT BE REPRODUCED IN WHOLE OR IN PART DISCLOSED TO ANYONE ELSE OR USED, WITHOUT THE WRITTEN CONSENT OF EMERSON CLIMATE TECHNOLOGIES, INC.

MATERIAL SPECIFICATION	ISSUED BY	SUPPLIES ENG. NO.	REV. NO.
N/A	KAP	497-0151-00	7 28

DATE	SCALE	DATE FORMAT:
06-11-07	3:8	MM-DD-YY

TITLE	DRAWING NUMBER	SHEET 1 OF 1
REF DWG COPE COMP ASSM	497-0151-00	4



INTERPRET PER ASME
 Y14.5M-1994 AND
 EMERSON CLIMATE
 TECHNOLOGIES, INC.
 DESIGN STANDARDS DS2002
 DO NOT SCALE DRAWING
 THIRD ANGLE PROJECTION
 UNLESS OTHERWISE SPECIFIED
 DIMENSIONS ARE INCH OR (MILLIMETER)
 TOLERANCES
 2-PLACE \pm
 3-PLACE \pm
 ANGULAR \pm