

8		7		6		5		4		3		2		1		
PART NO	MODEL NUMBER	A	B	C	D	E	F	H							SPECIFICATIONS	
497-0800-00	ZBD76KCE	533.2 [20.99]	501.2 [19.73]	253.0 [9.96]	122.1 [4.81]	92.3 [3.63]	242.8 [9.56]	92.3 [3.63]							ES NO.	DESCRIPTION
497-0800-01	ZBD58KCE	476.3 [18.75]	444.3 [17.49]	211.7 [8.34]	93.6 [3.69]	74.3 [2.93]	201.5 [7.93]	67.6 [2.66]							ES92-155	CONVERSION-METRIC
497-0800-02	ZBD76KCE	533.2[20.99]	501.2 [19.73]	253.0 [9.96]	122.1 [4.81]	92.3 [3.63]	242.8 [9.56]	92.3 [3.63]								
497-0800-03	ZBD58KCE	476.3 [18.75]	444.3 [17.49]	211.7 [8.34]	93.6 [3.69]	74.3 [2.93]	201.5 [7.93]	67.6 [2.66]								
497-0800-04	ZBD76KCE	533.2[20.99]	501.2 [19.73]	253.0 [9.96]	122.1 [4.81]	92.3 [3.63]	242.8 [9.56]	92.3 [3.63]								

NOTES:

1 ALL TOLERANCES ± 1.5 [0.06] UNLESS OTHERWISE SPECIFIED. DUE TO ACCUMULATED ASSEMBLY TOLERANCES THE LISTED COMPONENTS MAY VARY FROM THE MOUNTING HOLES AS TABULATED.

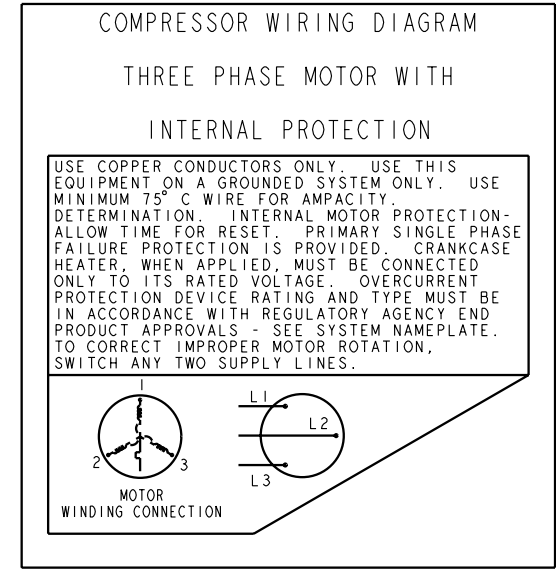
◆ SUCTION FITTING ± 3.0 [0.12]

◆ DISCHARGE FITTING ± 3.0 [0.12]

2. MOUNTING KIT: 527-0116-00.

3. TUBE ENDS MUST BE PLUGGED.

6 4 GROUNDING SCREW AND WASHER PER BOM



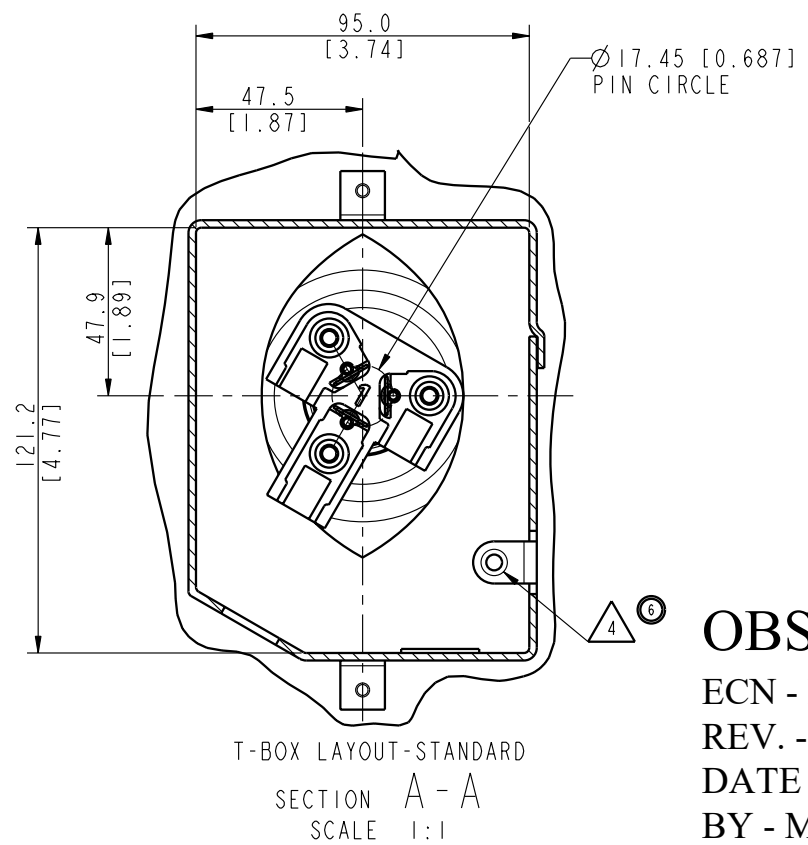
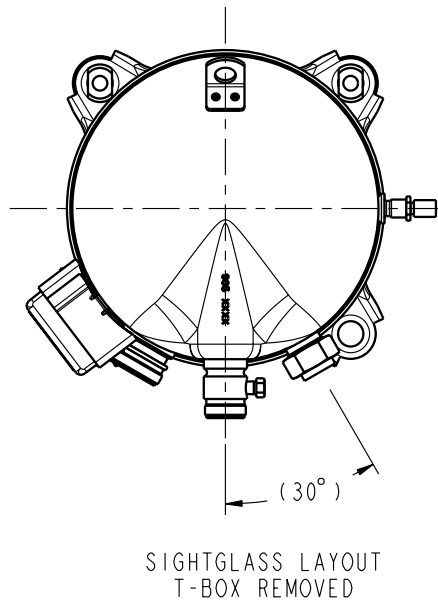
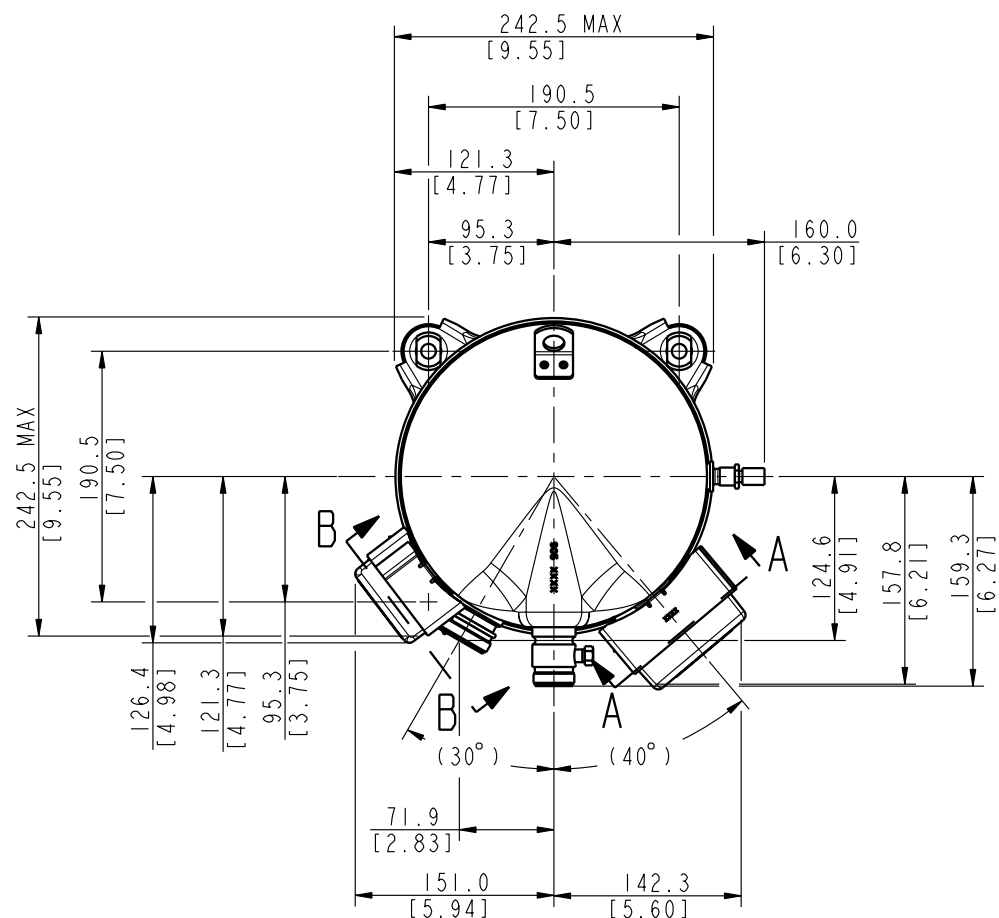
OBSOLETE
ECN - ECN316290
REV. - 9
DATE - 01-22-21
BY - MPC
CHKD - AMN

ECN	REV.	DESCRIPTION	DATE	BY	CHKD	APPR
ECN005708	8	RELEASED -04	12-18-12	CX	DC	DC
ECN001912	7	SEE SHEET 4	11-16-11	MPC	DC	JS
ECN001988	6	ADDED NOTES AND CHANGED SIGHT GLASS	01-20-11	LG	MD	VC
ECN002613	5	RELEASED -03	07-21-10	AMN	DC	BR
ECN001944	4	RELEASED -02	06-17-10	PJD	DC	BR
ECN002246	3	UPDATED -00 OIL FITTING LOCATION	02-02-10	XHT	LLB	KJR
ECN001381	2	RELEASED -01, SEE SHEET 2	07-23-09	VDJ	DC	DC
ECN001193	0	RELEASED	08-04-08	VDJ	DC	PDM

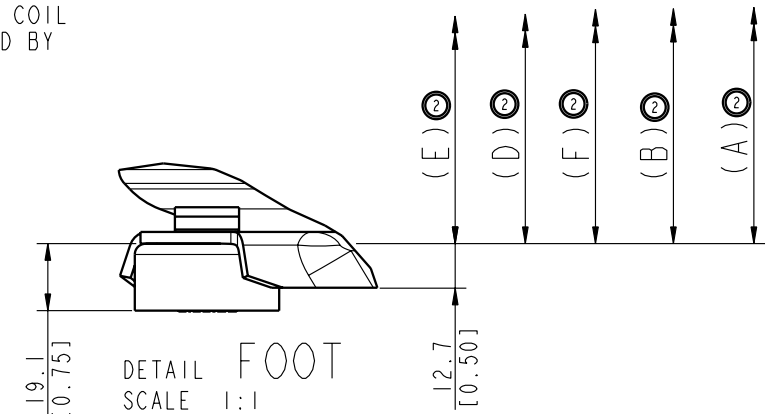
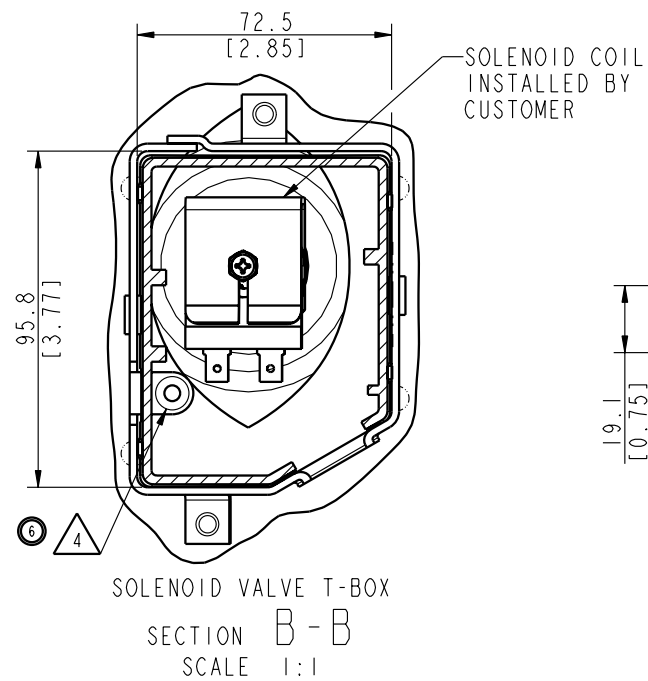
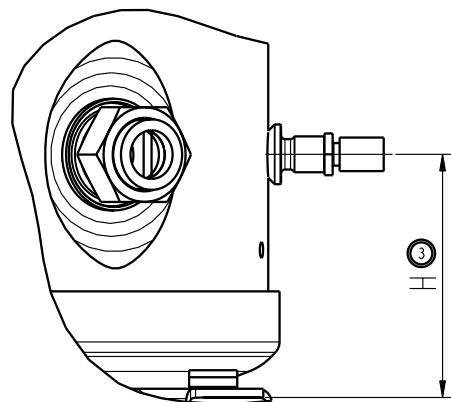
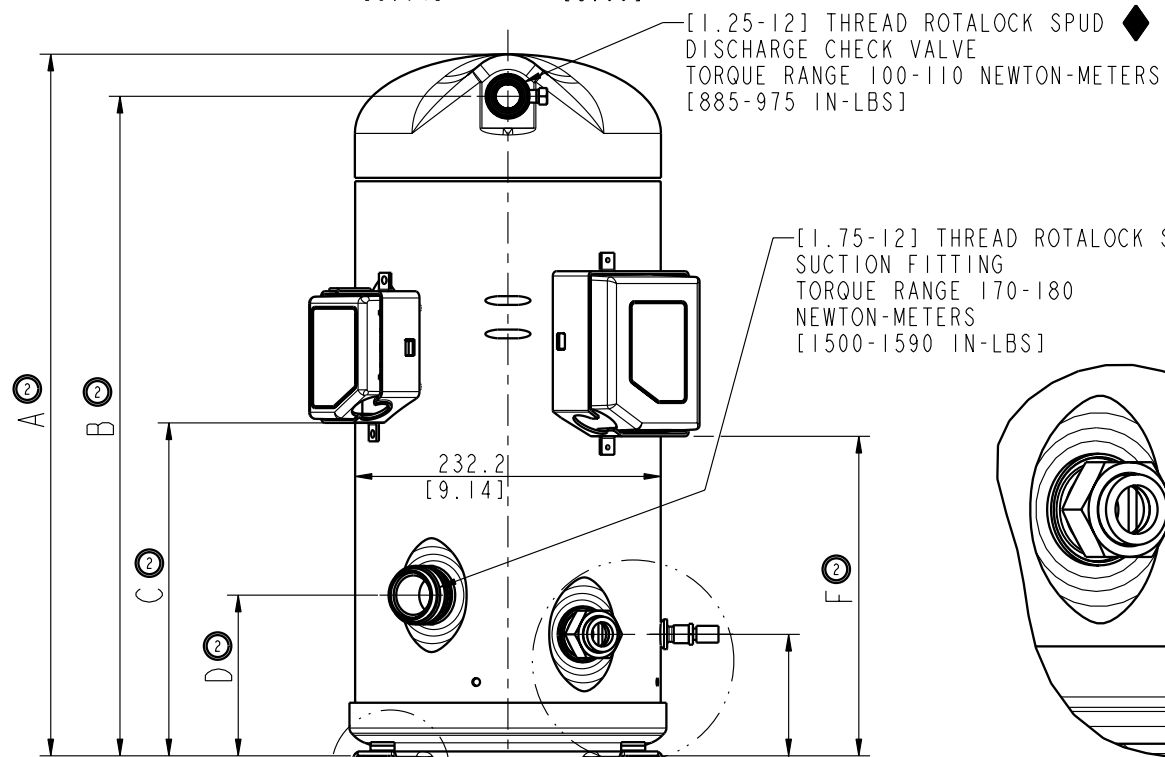
 	INTERPRET PER ASME Y14.5M-1994 AND EMERSON CLIMATE TECHNOLOGIES, INC. DESIGN STANDARDS DS2002 DO NOT SCALE DRAWING	CONFIDENTIALITY NOTICE THIS DRAWING AND INFORMATION CONTAINED HEREIN ARE THE EXCLUSIVE PROPERTY OF EMERSON CLIMATE TECHNOLOGIES, INC. AND SHALL BE RETURNED UPON DEMAND AND SHALL NOT BE REPRODUCED IN WHOLE OR IN PART, DISCLOSED TO ANYONE ELSE OR USED, WITHOUT THE WRITTEN CONSENT OF EMERSON CLIMATE TECHNOLOGIES, INC.	
	CRITICAL PRODUCT CHARACTERISTIC UNLESS OTHERWISE SPECIFIED DIMENSIONS ARE MILLIMETER OR [INCH] TOLERANCES: 1-PLACE \pm N/A 2-PLACE \pm N/A ANGULAR \pm N/A	THIRD ANGLE PROJECTION	ENG NOTICE NO. 15 REVISIONS

UNCONTROLLED - DO NOT MODIFY

©COPYRIGHT EMERSON CLIMATE TECHNOLOGIES, INC. - CONFIDENTIAL



OBSOLETE
 ECN - ECN316290
 REV. - 9
 DATE - 01-22-21
 BY - MPC
 CHKD - AMN



SEE DETAIL FOOT
 SEE DETAIL VALVE

DETAIL VALVE
 SCALE 3:4

SOLENOID VALVE T-BOX
 SECTION B-B
 SCALE 1:1

ECN	REV.	DESCRIPTION	DATE	BY	CHKD	APPR
ECN005708	8	SEE SHEET 1	12-18-12	CX	DC	DC
ECN001912	7	SEE SHEET 4	11-16-11	MPC	DC	JS
ECN001988	6	ADDED NOTES AND CHANGED SIGHT GLASS	01-20-11	LG	MD	VC
ECN002613	5	SEE SHEET 1	07-21-10	AMN	DC	BR
ECN001944	4	SEE SHEET 1	06-17-10	PJD	DC	BR
ECN002246	3	SEE SHEET 1	02-02-10	XHT	LLB	KJR
ECN001381	2	CHARTED THE DIMN FOR ZBD76/58, RELEASED -01	07-23-09	VDJ	DC	DC
ECN001381	1	ADDED MODEL NUMBER ZBD58KCE	05-19-09	VDJ	DC	BR
ECN001193	0	RELEASED	08-04-08	VDJ	DC	PDM

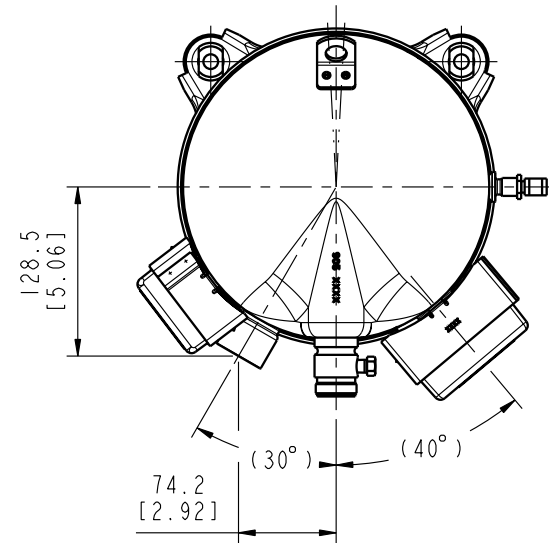
 	INTERPRET PER ASME Y14.5M-1994 AND EMERSON CLIMATE TECHNOLOGIES, INC. DESIGN STANDARDS DS2002 DO NOT SCALE DRAWING	CONFIDENTIALITY NOTICE THIS DRAWING AND INFORMATION CONTAINED HEREIN ARE THE EXCLUSIVE PROPERTY OF EMERSON CLIMATE TECHNOLOGIES, INC. AND SHALL BE RETURNED UPON DEMAND AND SHALL NOT BE REPRODUCED IN WHOLE OR IN PART, DISCLOSED TO ANYONE ELSE OR USED, WITHOUT THE WRITTEN CONSENT OF EMERSON CLIMATE TECHNOLOGIES, INC.	
	CRITICAL PRODUCT CHARACTERISTIC UNLESS OTHERWISE SPECIFIED DIMENSIONS ARE MILLIMETER OR [INCH] TOLERANCES: 1-PLACE ± N/A 2-PLACE ± N/A ANGULAR ± N/A	THIRD ANGLE PROJECTION	MATERIAL SPECIFICATION N/A
TITLE REF DWG-WELD COMP ASM		SUPERSEDES DWG. NO. / REV. NO. /	SCALE 3:8 DATE FORMAT: MM-DD-YY
DRAWING NUMBER 497-0800-00		SHEET 2 OF 5	DWG SIZE 4

UNCONTROLLED - DO NOT MODIFY

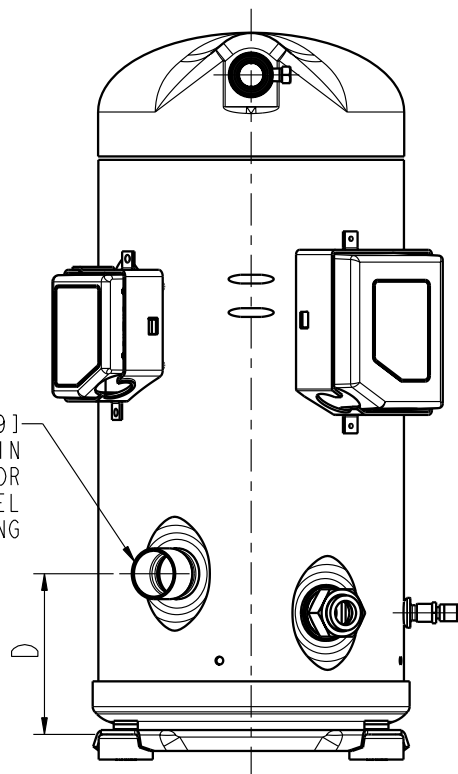
©COPYRIGHT EMERSON CLIMATE TECHNOLOGIES, INC. - CONFIDENTIAL

PART NUMBER

497-0800-02



◆ $\varnothing 34.84-35.02 [1.372-1.379]$
 $\nabla 22.6 [0.890]$ MIN
 0.038 [0.002] MIN THICK EXTERIOR
 AND INTERIOR COPPER PLATED STEEL
 SUCTION FITTING



OBSOLETE

ECN - ECN316290

REV. - 9

DATE - 01-22-21

BY - MPC

CHKD - AMN

ENG NOTICE NO.	REV. NO.	REVISIONS	DATE	BY	CHKD	APPR
ECN005708	8	SEE SHEET 1	12-18-12	CX	DC	DC
ECN001912	7	SEE SHEET 4	11-16-11	MPC	DC	JS
ECN001988	6	CHANGED SIGHT GLASS	01-20-11	LG	MD	VC
ECN002613	5	SEE SHEET 1	07-21-10	AMN	DC	BR
ECN001944	4	RELEASED -02, ADDED SHEET 3	06-17-10	PJD	DC	BR
ECN001193	0	RELEASED	08-04-08	VDJ	DC	PDM



INTERPRET PER ASME
 Y14.5M-1994 AND
 EMERSON CLIMATE
 TECHNOLOGIES, INC.
 DESIGN STANDARDS DS2002
 DO NOT SCALE DRAWING

◆ CRITICAL PRODUCT CHARACTERISTIC

THIRD ANGLE PROJECTION

UNLESS OTHERWISE SPECIFIED
 DIMENSIONS ARE MILLIMETER OR [INCH]
 TOLERANCES:
 1-PLACE ± N/A
 2-PLACE ± N/A
 ANGULAR ± N/A

CONFIDENTIALITY NOTICE			
15	THIS DRAWING AND INFORMATION CONTAINED HEREIN ARE THE EXCLUSIVE PROPERTY OF EMERSON CLIMATE TECHNOLOGIES, INC. AND SHALL BE RETURNED UPON DEMAND AND SHALL NOT BE REPRODUCED IN WHOLE OR IN PART, DISCLOSED TO ANYONE ELSE OR USED, WITHOUT THE WRITTEN CONSENT OF EMERSON CLIMATE TECHNOLOGIES, INC.		
MATERIAL SPECIFICATION	DRAWN BY	SUPERSEDES DWG. NO. / REV. NO.	
N/A	VDJ	/	
DATE	DATE	SCALE	DATE FORMAT:
08-04-08	08-04-08	3:8	MM-DD-YY
TITLE	DRAWING NUMBER	SHEET 3 OF 5	DWG
REF DWG-WELD COMP ASM	497-0800-00	4	SIZE

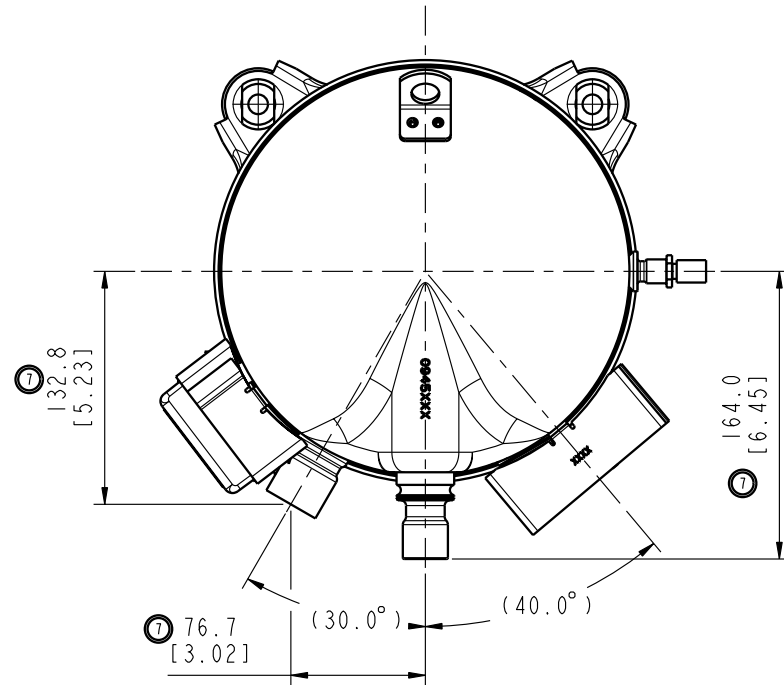
UNCONTROLLED - DO NOT MODIFY

©COPYRIGHT EMERSON CLIMATE TECHNOLOGIES, INC. - CONFIDENTIAL

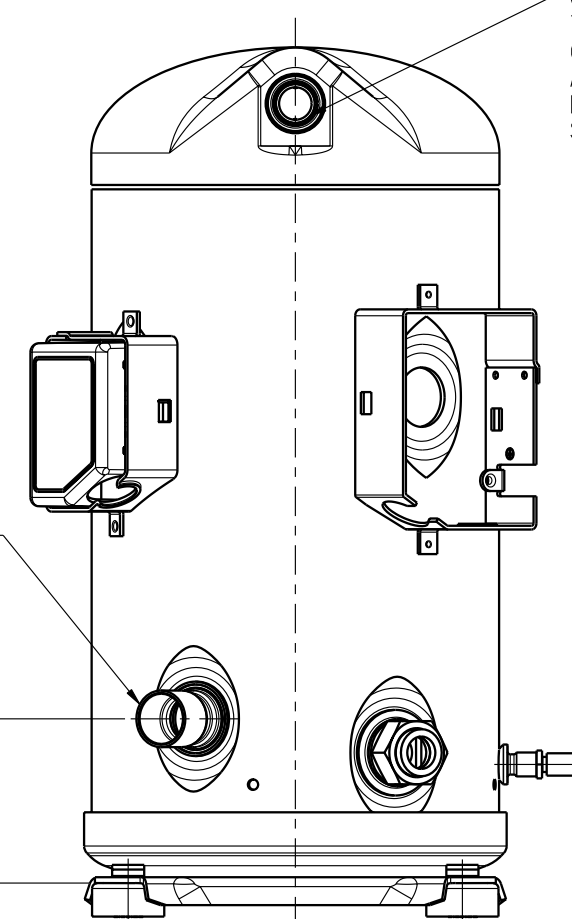
PART NUMBER

497-0800-03

5



$\varnothing 22.30-22.42$ [0.878-0.883] ID \blacklozenge
 $\nabla 20.0$ [0.787] MIN.
 0.038 [0.0015] MIN. THICK EXTERIOR
 AND INTERIOR COPPER PLATED
 DISCHARGE FITTING/
 STEEL CHECK VALVE



$\blacklozenge \varnothing 28.49-28.67$ [1.122-1.129] ID
 $\nabla 22.6$ [0.890] MIN
 0.038 [0.0015] MIN THICK
 EXTERIOR AND INTERIOR COPPER
 PLATED STEEL SUCTION FITTING

OBSOLETE
 ECN - ECN316290
 REV. - 9
 DATE - 01-22-21
 BY - MPC
 CHKD - AMN

ENG NOTICE NO.	REV. NO.	REVISIONS	DATE	BY	CHKD	APPR
ECN005708	8	SEE SHEET 1	12-18-12	CX	DC	DC
ECN001912	7	SUCTION FITTING DIM UPDATED AND DISCHARGE FITTING DIM ADDED	11-16-11	MPC	DC	JS
ECN001988	6	SEE SHEET 1,2	01-20-11	LG	MD	VC
ECN002613	5	RELEASED -03, ADDED SHEET 4	07-21-10	AMN	DC	BR
ECN001193	0	RELEASED	08-04-08	VDJ	DC	PDM



INTERPRET PER ASME
 Y14.5M-1994 AND
 EMERSON CLIMATE
 TECHNOLOGIES, INC.
 DESIGN STANDARDS DS2002
 DO NOT SCALE DRAWING
 CRITICAL PRODUCT CHARACTERISTIC
 THIRD ANGLE PROJECTION
 UNLESS OTHERWISE SPECIFIED
 DIMENSIONS ARE MILLIMETER OR [INCH]
 TOLERANCES:
 1-PLACE \pm N/A
 2-PLACE \pm N/A
 ANGULAR \pm N/A

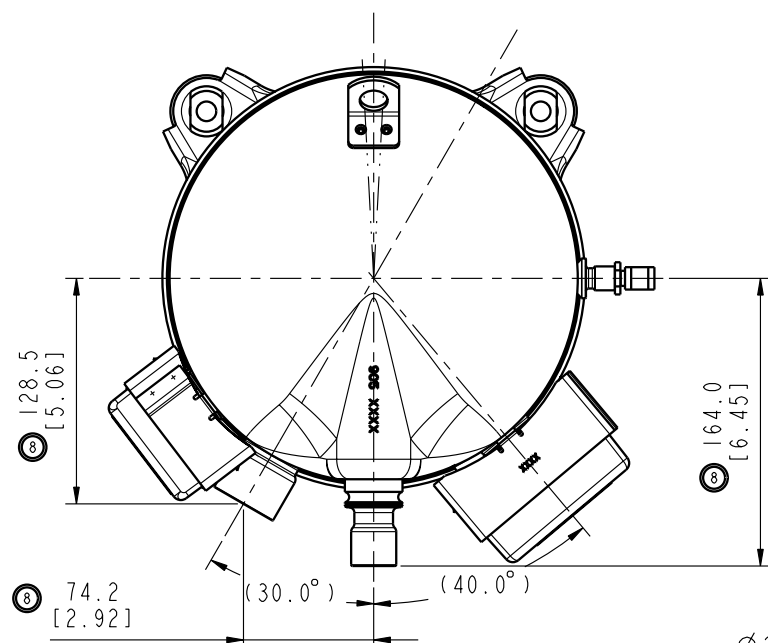
CONFIDENTIALITY NOTICE	
15	THIS DRAWING AND INFORMATION CONTAINED HEREIN ARE THE EXCLUSIVE PROPERTY OF EMERSON CLIMATE TECHNOLOGIES, INC. AND SHALL BE RETURNED UPON DEMAND AND SHALL NOT BE REPRODUCED IN WHOLE OR IN PART, DISCLOSED TO ANYONE ELSE OR USED, WITHOUT THE WRITTEN CONSENT OF EMERSON CLIMATE TECHNOLOGIES, INC.
MATERIAL SPECIFICATION	DATE
N/A	08-04-08
DRAWN BY	SUPERSEDES DWG. NO. / REV. NO.
VDJ	/
SCALE	DATE FORMAT:
1:1	MM-DD-YY
TITLE	DRAWING NUMBER SHEET 4 OF 5
REF DWG-WELD COMP ASM	497-0800-00 4

UNCONTROLLED - DO NOT MODIFY

©COPYRIGHT EMERSON CLIMATE TECHNOLOGIES, INC. - CONFIDENTIAL

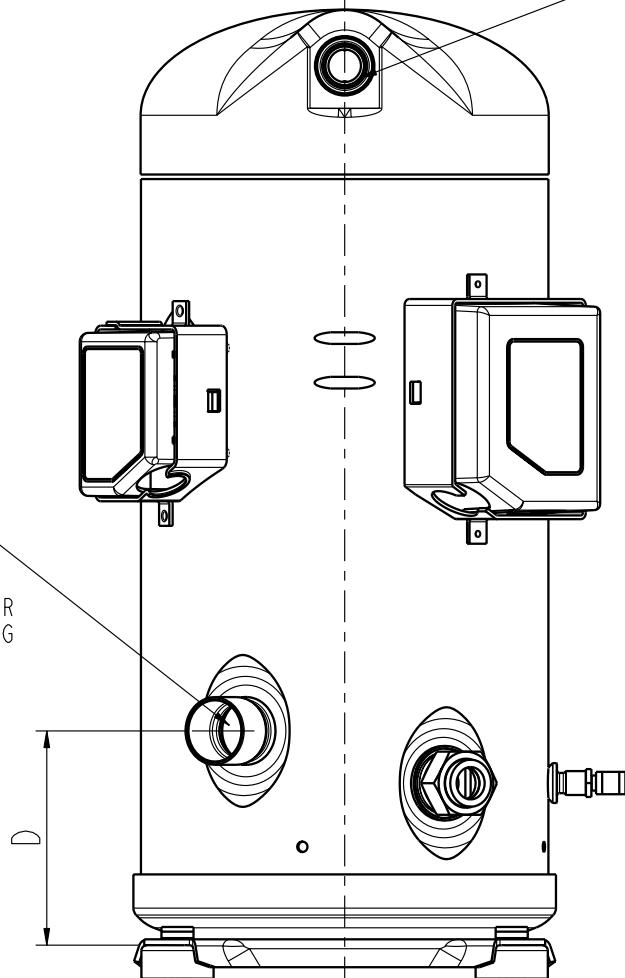
PART NUMBER

497-0800-04



Ø 22.30-22.42 [0.878-0.883] ID
 √ 20.0 [0.787] MIN.
 0.038 [0.0015] MIN. THICK EXTERIOR
 AND INTERIOR COPPER PLATED
 DISCHARGE FITTING/
 STEEL CHECK VALVE

Ø 34.84 [1.372-1.379] ID
 √ 22.6 [0.890] MIN
 0.038 [0.0015] MIN THICK
 EXTERIOR AND INTERIOR COPPER
 PLATED STEEL SUCTION FITTING



SCALE 1:2

OBSOLETE
 ECN - ECN316290
 REV. - 9
 DATE - 01-22-21
 BY - MPC
 CHKD - AMN

ECN005708	8	RELEASED -04, ADDED SHEET 5	12-18-12	CX	DC	DC
ECN001193	0	RELEASED	08-04-08	VDJ	DC	PDM
ENG NOTICE NO.	REV. NO.	REVISIONS	DATE	BY	CHKD	APPR
15		CONFIDENTIALITY NOTICE				
THIS DRAWING AND INFORMATION CONTAINED HEREIN ARE THE EXCLUSIVE PROPERTY OF EMERSON CLIMATE TECHNOLOGIES, INC. AND SHALL BE RETURNED UPON DEMAND AND SHALL NOT BE REPRODUCED IN WHOLE OR IN PART, DISCLOSED TO ANYONE ELSE OR USED, WITHOUT THE WRITTEN CONSENT OF EMERSON CLIMATE TECHNOLOGIES, INC.						
MATERIAL SPECIFICATION		DRAWN BY	SUPERSEDES DWG. NO. / REV. NO.			
N/A		VDJ	/			
		DATE	SCALE	DATE FORMAT:		
		12-19-12	1:1	MM-DD-YY		
TITLE			DRAWING NUMBER	SHEET 5 OF 5		
REF DWG-WELD COMP ASM			497-0800-00	4		
			SIZE			



INTERPRET PER ASME
 Y14.5M-1994 AND
 EMERSON CLIMATE
 TECHNOLOGIES, INC.
 DESIGN STANDARDS DS2002
 DO NOT SCALE DRAWING

CRITICAL PRODUCT CHARACTERISTIC

THIRD ANGLE PROJECTION

UNLESS OTHERWISE SPECIFIED
 DIMENSIONS ARE MILLIMETER OR [INCH]
 TOLERANCES:
 1-PLACE ± 0.4
 2-PLACE ± 0.15
 ANGULAR ± 0.5°

UNCONTROLLED - DO NOT MODIFY

©COPYRIGHT EMERSON CLIMATE TECHNOLOGIES, INC. - CONFIDENTIAL