

THREAD	TORQUE REQUIREMENTS	
M16	900-1000 IN LBS	102-113 Nm
1-3/4"-12 UNF	1500-1590 IN LBS	170-180 Nm
M10	398-487 IN LBS	45-55 Nm
SIGHT GLASS	600-690 IN LBS	68-78 Nm

SPECIFICATIONS	
ES NO.	DESCRIPTION
ES92-155	CONVERSION-METRIC

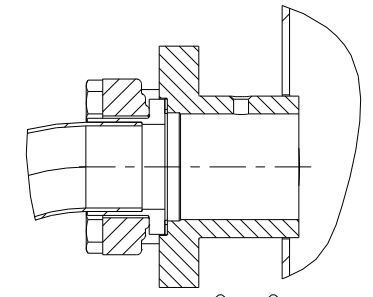
NOTES:

1 ALL TOLERANCES ARE ± 1.5 UNLESS OTHERWISE SPECIFIED.

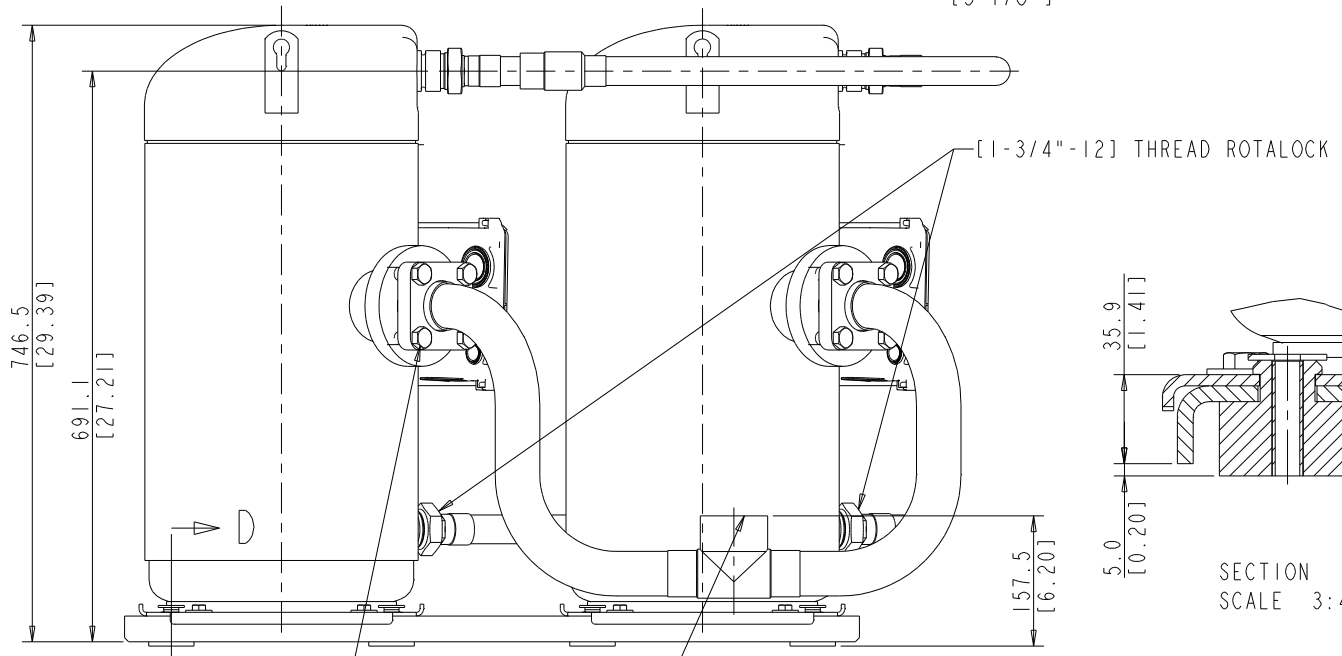
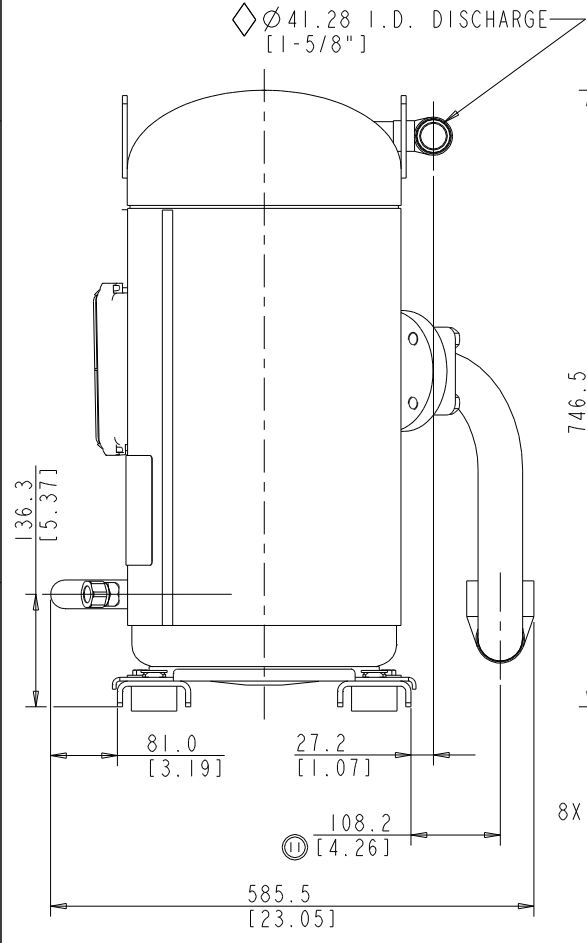
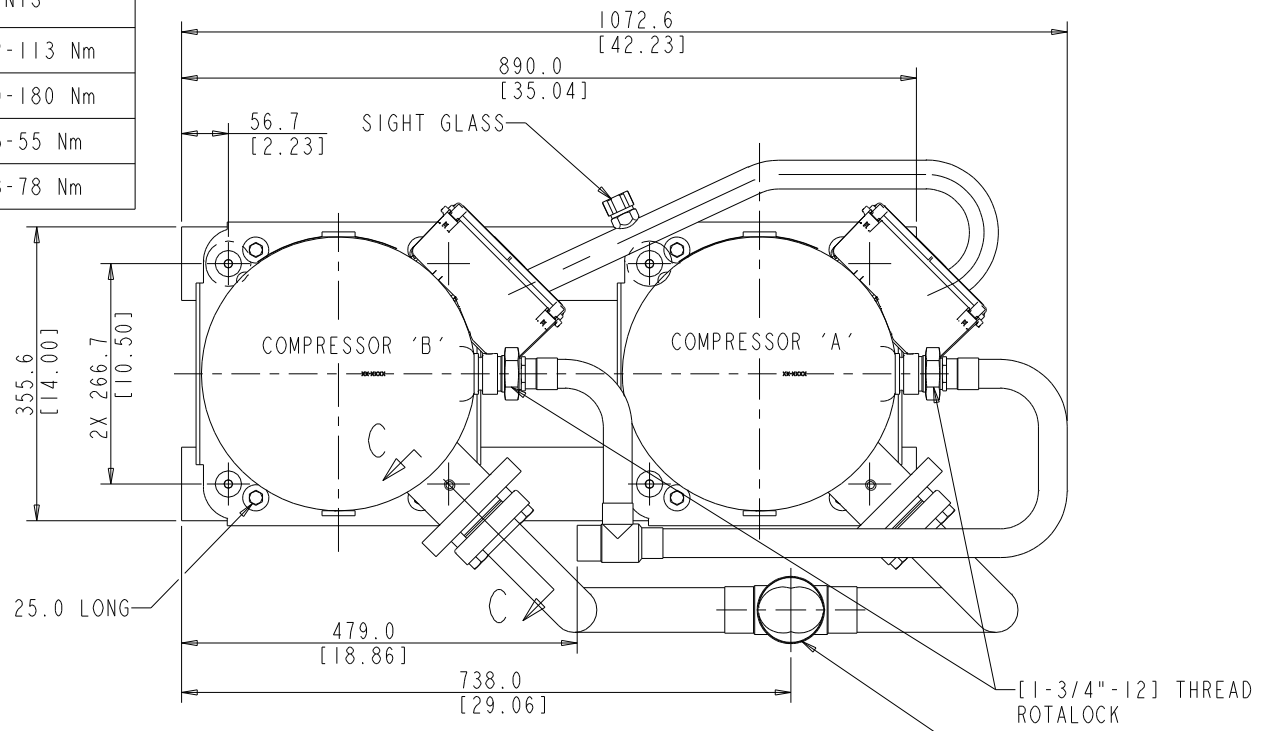
DUE TO ACCUMULATED ASSEMBLY TOLERANCES THE LISTED COMPONENTS MAY VARY FROM THE MOUNTING HOLES AS SHOWN BELOW.

2. MOUNTING KIT: 527-0178-00

3. TUBE ENDS MUST BE PLUGGED.

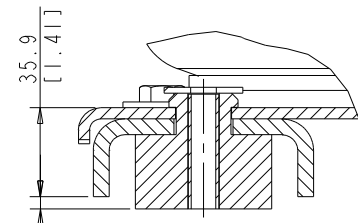


SECTION C-C
SCALE 1:2
8X M10 X 25.0 LONG BOLTS



8X M16 X 55.0 LONG BOLTS

THERE MUST BE A MINIMUM OF A 450.0 MM [18.0"] SECTION OF STRAIGHT TUBING BEFORE ENTERING THE SUCTION TEE FITTING



SECTION D-D
SCALE 3:4

SYMBOLS/SYMBOLS/SYMBOL

⊕ THERMAL SENSORS/CAPEURS THERMIQUES /TEMPERATURESENSOREN

1 PROTECTOR MODULE VOLTAGE/TENSION DU MODULE DISPOSITIF DE PROTECTION/ANSCHLUSSPANNUNG DES SCHUTZGERATES

2 TO CONTROL CIRCUIT/VERS LE CIRCUIT DE COMMANDE/ZUM STEUERSTROMKREIS

WHEN CHECKING SOLID STATE MODULE:

DO NOT SHORT ACROSS S1 AND S2 SENSOR TERMINALS

MODULE HAS 30 MINUTES TIME DELAY BEFORE RESET IN EVENT OF PROTECTOR TRIP.

LORS DE LA VERIFICATION DU MODULE ELECTRONIQUE:

EN CAS DECLICHEMENT DU MODULE DISPOSITIF DE PROTECTION, LE REARMEMENT EST RETARDE A 30 MINUTES.

BEI PRUFUNG DES MOTORSCHUTZGERATES:

DIE SENSORSCHLUSSE S1 UND S2 DÜRFEN NICHT UNTEREINSTIMMUNG MIT ZUTREFFENDEN VORSCHRIFTEN SEIN

USE COPPER CONDUCTORS ONLY. UTILISER UN FIL D'AU MOINS 15° C POUR DETERMINER LE COURANT ADMISSIBLE. EMPLOYER CET EQUIPEMENT SEULEMENT SUR SYSTEME MIS A LA TERRE.

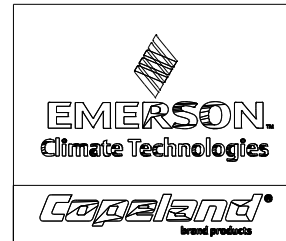
PRIMARY SINGLE PHASE FAILURE PROTECTION IS PROVIDED. PROTECTOR MODULE AND OPTIONAL CRAMCASE HEATER MUST BE CONNECTED ONLY TO THEIR RATED VOLTAGE. OVERCURRENT PROTECTION DEVICE RATING AND TYPE MUST BE IN ACCORDANCE WITH REGULATORY AGENCY END-PRODUCT APPROVALS. *SEE SYSTEM NAMEPLATE.

N'UTILISER QUE DES CONDUCTEURS EN CUIVRE. UTILISER UN FIL D'AU MOINS 15° C POUR DETERMINER LE COURANT ADMISSIBLE. EMPLOYER CET EQUIPEMENT SEULEMENT SUR SYSTEME MIS A LA TERRE.

PROTECTION PRIMAIRE MONOPHASE FOURNIE. LE MODULE OU DISPOSITIF DE PROTECTION ET LE CHAUFFE-CARTER FACULTATIF DOIVENT ETRE BRANCHEES A LA TENSION NOMINALE APPROPRIEE.

LE TYPE ET LES CARACTERISTIQUES NOMINALES DU DISPOSITIF DE PROTECTION CONTRE LE SURINTENSITES DOIVENT ETRE CONFORMES AUX EXIGENCES DES POUVOIRS DE REGLEMENTATION VISANT LE PRODUIT FINI. *VOIR LA PLAQUE SIGNALETIQUE.

NUR KUPFERLEITUNGEN VERWENDEN. ZUR BESTIMMUNG DES BETRIEBSSTROMES MÜSSEN KABEL VERWENDET WERDEN, DIE FÜR EINE BELASTUNG VON MINDESTENS 15° C GEEIGNET SIND. ANLAGE NUR MIT ERDUNG VERWENDEN. SCHUTZ BEI PHASENSCHLUSSEL AUF DER PRIMÄRSEITE IST GEWÄHRLEISTET. SCHUTZGERÄT UND KÜBELGEHÄUSEHEIZER (FALLS VORHANDEN) DÜRFEN NUR MIT NENNENNUNG BETRIEBEN WERDEN. NENNENLEISTUNG UND TYP DES ÜBERSTROMSCHUTZSCHALTENS MÜSSEN ÜBEREINSTIMMUNG MIT ZUTREFFENDEN VORSCHRIFTEN SEIN. *BITTE TYPENSCHILD BEACHTEN.



INTERPRET PER ASME Y14.5M-1994 AND EMERSON CLIMATE TECHNOLOGIES, INC. DESIGN STANDARDS DS2002 DO NOT SCALE DRAWING

THIRD ANGLE PROJECTION

CRITICAL PRODUCT CHARACTERISTIC

UNLESS OTHERWISE SPECIFIED DIMENSIONS ARE MILLIMETER OR (INCH)

TOLERANCES:
1-PLACE \pm N/A
2-PLACE \pm N/A
ANGULAR \pm N/A

ECN	REV.	DESCRIPTION	DATE	BY	CHKD	APPR
ECN001420	12	MODIFIED NOTE & DIMENSIONS	11-17-08	PBM	LLB	KJR
ECN001055	11	CORRECTED DIMENSION, WAS:180.2	05-21-08	PSD	RTB	KJR
34-0606-019	10	ES92-155 SPEC REMOVED	05-28-07	SUP	BF	CHK
32-0406-096	9	REDRAWN & REVISED	05-11-06	PNA	JLB	RST
32-0600-701	0	RELEASED	04-02-01	JLB	JLB	KJR

ENG NOTICE NO.	REV. NO.	REVISIONS	DATE	BY	CHKD	APPR
22		THIS DRAWING AND INFORMATION CONTAINED HEREIN ARE THE EXCLUSIVE PROPERTY OF EMERSON CLIMATE TECHNOLOGIES, INC. AND SHALL BE RETURNED UPON DEMAND AND SHALL NOT BE REPRODUCED IN WHOLE OR IN PART, DISCLOSED TO ANYONE ELSE OR USED, WITHOUT THE WRITTEN CONSENT OF EMERSON CLIMATE TECHNOLOGIES, INC.				

MATERIAL SPECIFICATION	DRAWN BY	SUPERSEDES DWG. NO. / REV. NO.
N/A	JLB	497-0348-00 / 8

TITLE	SCALE	DATE FORMAT	DRAWING NUMBER	SHEET 1 OF 1	DWG SIZE
REF DWG-WELD COMP ASM	1:4	MM-DD-YY	497-0348-00	4	4