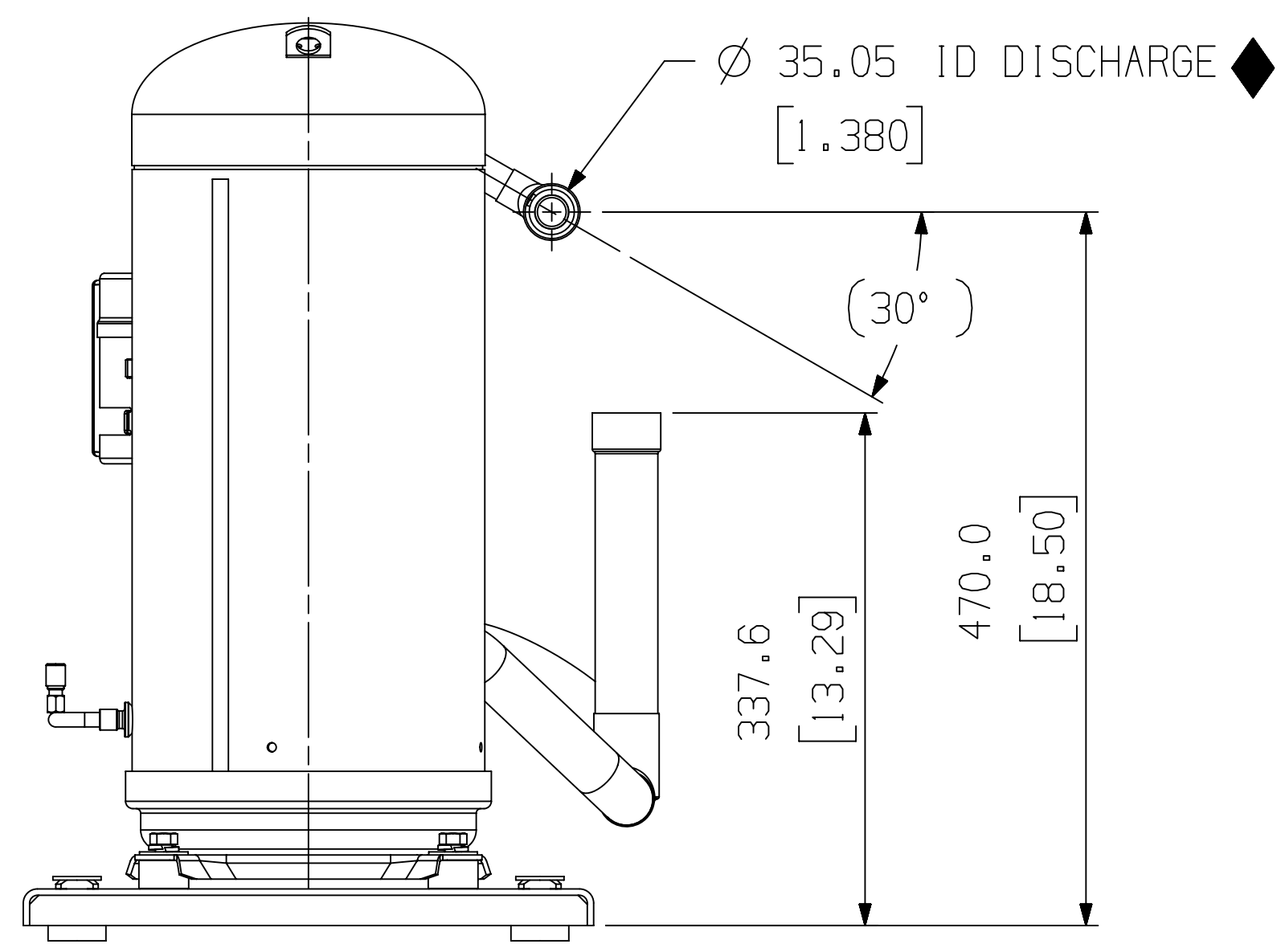
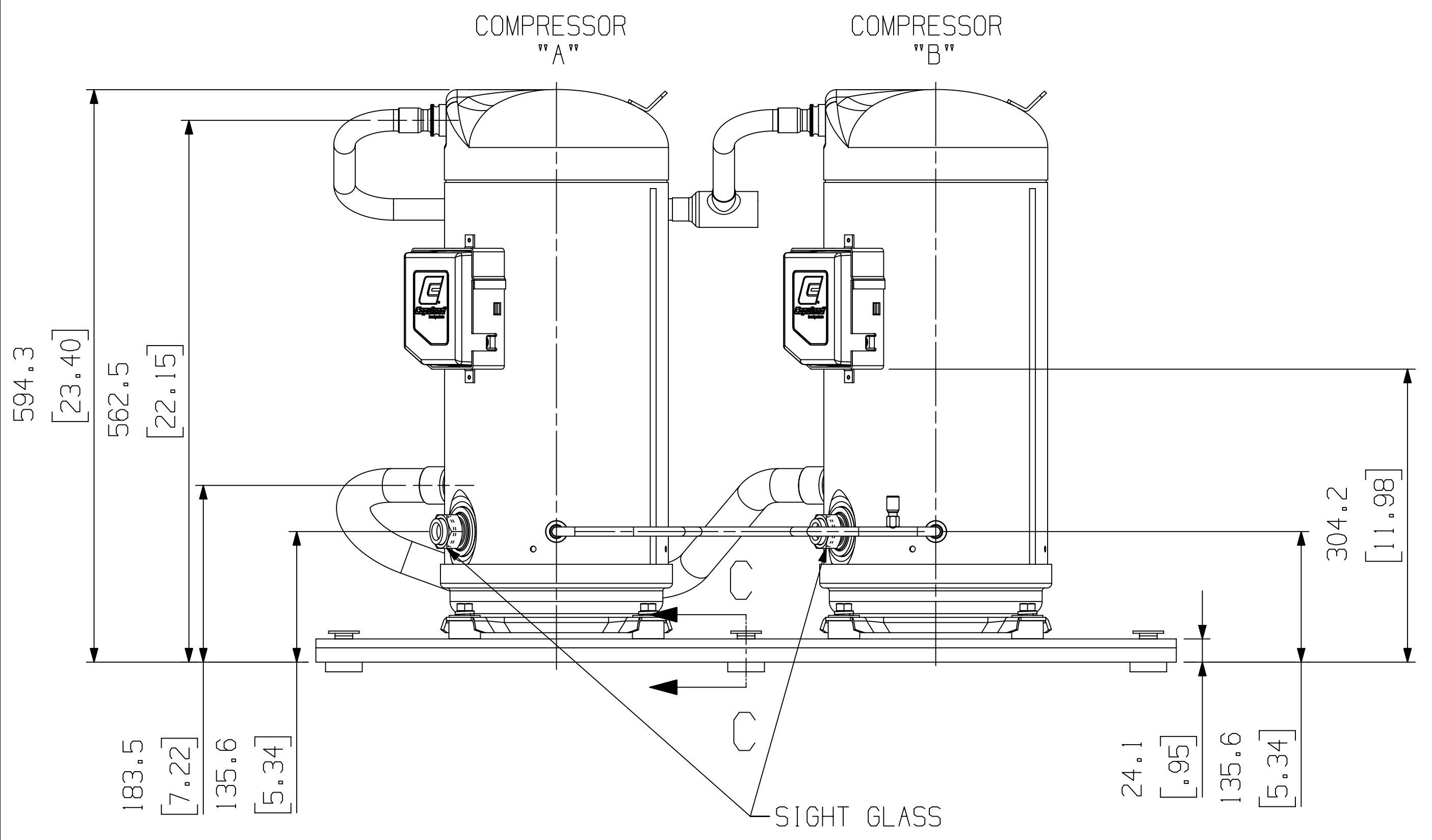
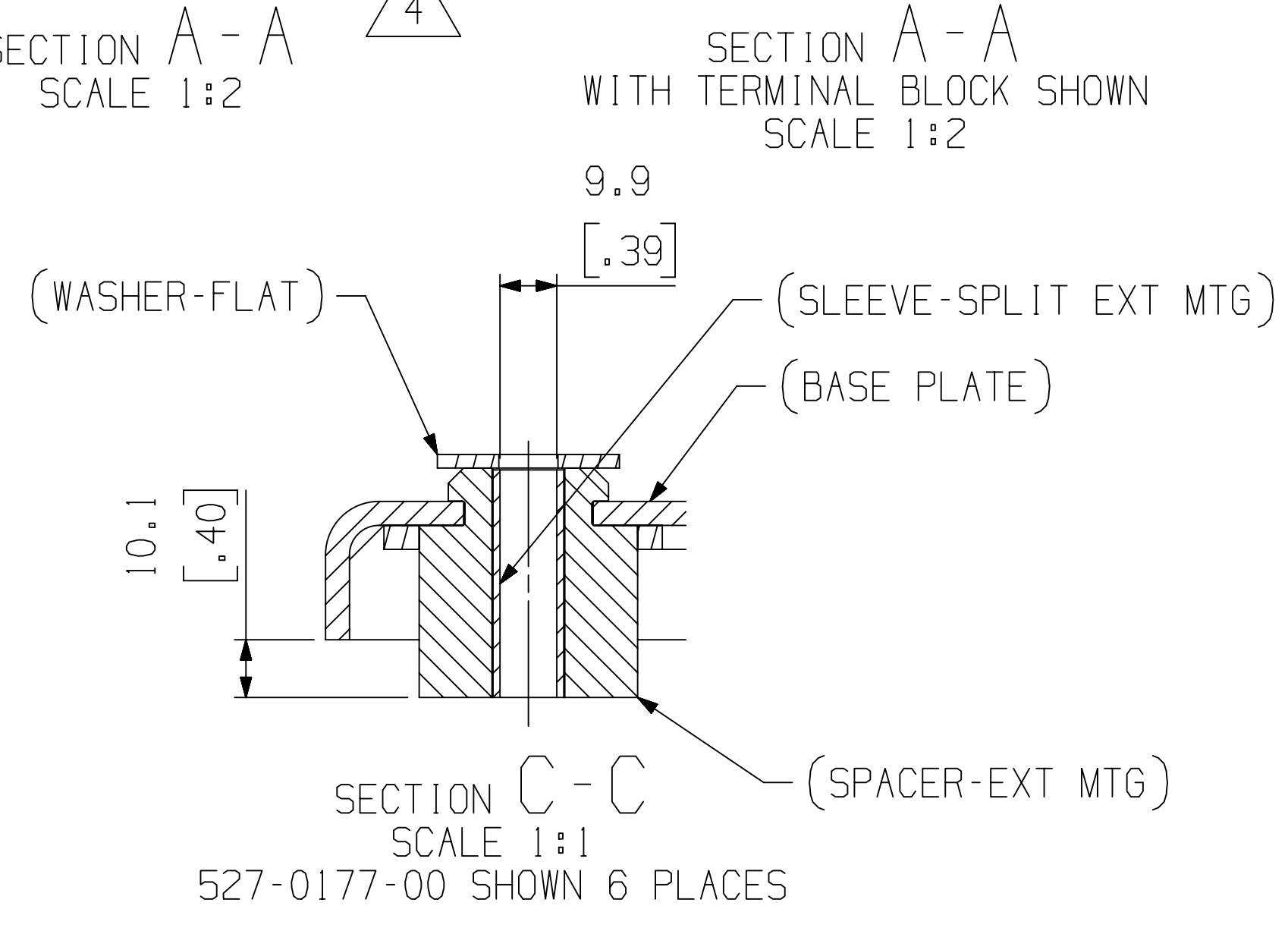
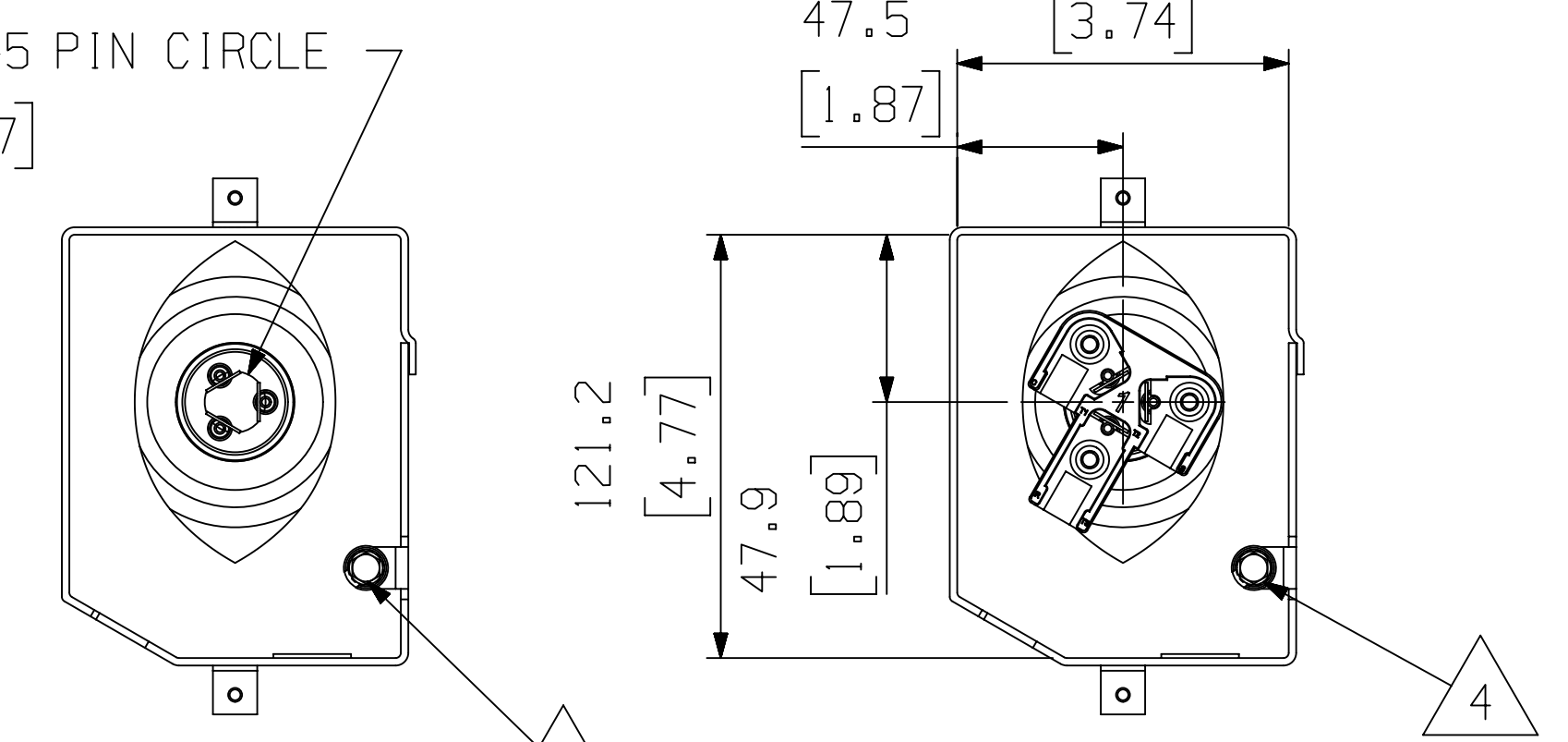
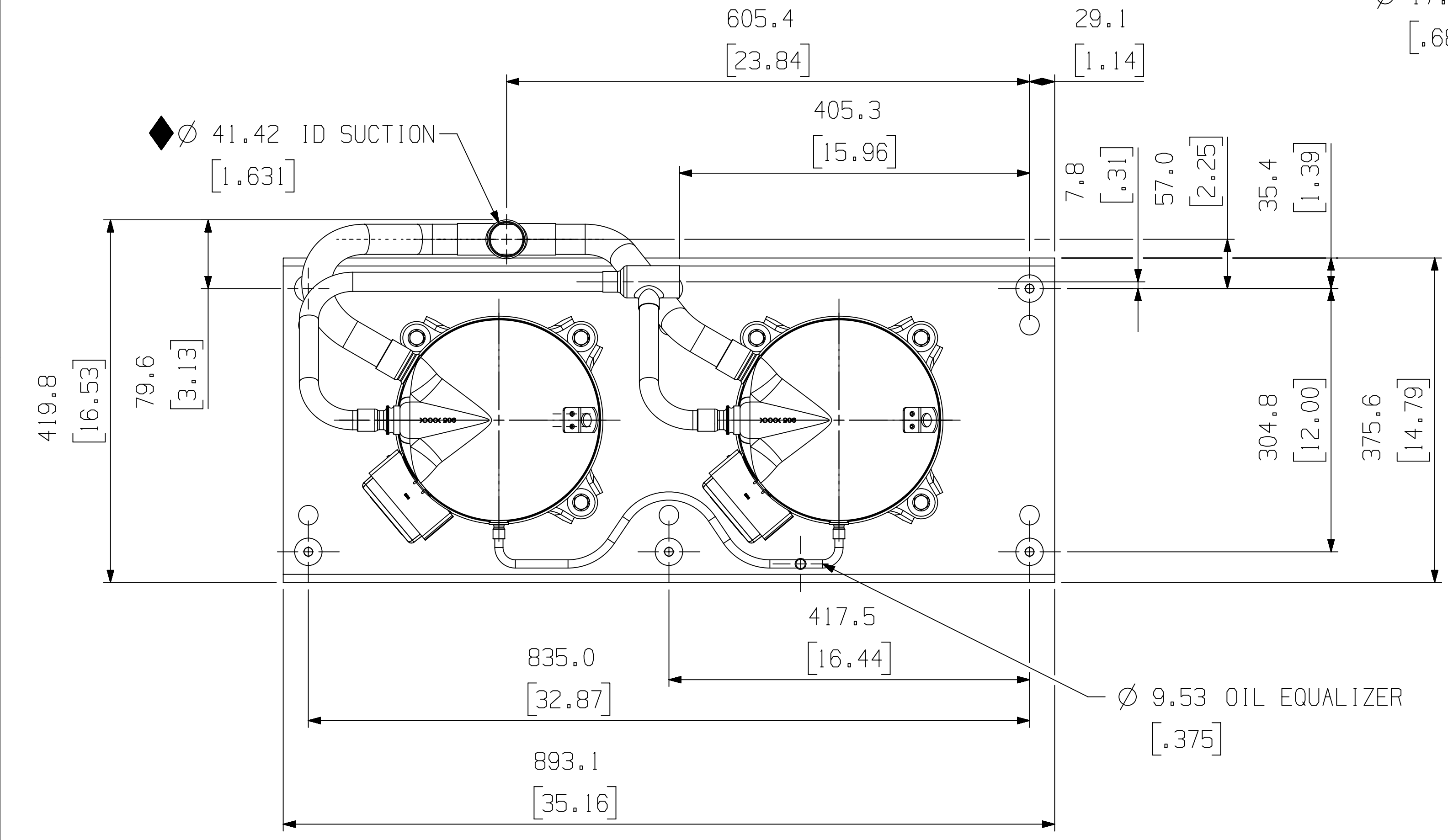


MODEL NUMBER
ZRT380KCE/KC-TFD

SPECIFICATIONS	
ES NO.	DESCRIPTION
ES92-155	CONVERSION-METRIC



NOTES:

- ALL TOLERANCES ± 1.5 [0.06] UNLESS OTHERWISE SPECIFIED
- DUE TO ACCUMULATED ASSEMBLY TOLERANCES THE LISTED COMPONENTS MAY VARY FROM THE MOUNTING HOLES AS TABULATED.
- SUCTION FITTING: ± 3.0 [0.12]
- DISCHARGE FITTING: ± 3.0 [0.12]
- MOUNTING KIT :527-0177-00
- TUBE END MUST BE PLUGGED.
- GROUNDING SCREW AND WASHER PER BOM

COMPRESSOR WIRING DIAGRAM
THREE PHASE MOTOR WITH
INTERNAL PROTECTION

USE COPPER CONDUCTORS ONLY. USE THIS ON A GROUNDING SYSTEM ONLY. USE MINIMUM 75° C WIRE FOR AMPACITY. DETERMINATION. INTERNAL MOTOR PROTECTION-ALLOW TIME FOR RESET. PRIMARY SINGLE PHASE FAILURE PROTECTION IS PROVIDED. CRANKCASE HEATER, WHEN APPLIED, MUST BE CONNECTED ONLY TO ITS RATED VOLTAGE. OVERCURRENT PROTECTION DEVICE RATING AND TYPE MUST BE IN ACCORDANCE WITH REGULATORY AGENCY END PRODUCT APPROVALS - SEE SYSTEM NAMEPLATE. TO CORRECT IMPROPER MOTOR ROTATION, SWITCH ANY TWO SUPPLY LINES.

MOTOR WINDING CONNECTION

OBSOLETE

EMERSON
Copeland

INTERPRET PER ASME Y14.5M-1994 AND EMERSON DESIGN STANDARDS DS2002

DO NOT SCALE DRAWING

CRITICAL PRODUCT CHARACTERISTICS

UNLESS OTHERWISE SPECIFIED DIMENSIONS ARE MILLIMETER OR (INCH)

TOLERANCES:
1-PLACE : N/A
2-PLACE : N/A
ANGULAR : N/A

ENG NOTICE NO.	REV.NO.	REVISIONS	DATE	BY	CHKD
15	2	OBSOLETE	09-03-21	GT	ZH
	1	ADDED ZRT380KC-TFD MODEL NAME	05-27-20	GT	ZH
	0	RELEASED	12-03-19	AZ	ZH

CONFIDENTIALITY NOTICE

THIS DRAWING AND INFORMATION CONTAINED HEREIN ARE THE EXCLUSIVE PROPERTY OF EMERSON CLIMATE TECHNOLOGIES, INC AND/OR ITS AFFILIATES (COLLECTIVELY "EMERSON") AND SHALL BE RETURNED UPON DEMAND AND SHALL NOT BE REPRODUCED IN WHOLE OR IN PART, DISCLOSED TO ANYONE ELSE OR USED, WITHOUT THE WRITTEN CONSENT OF EMERSON.

MATERIAL SPECIFICATION	DRAWN BY	SUPERSEDES DWG NO /	REV NO
N/A	AZ	-	-
	DATE	SCALE	DATE FORMAT:
	12-03-19	1:4	MM-DD-YY

TITLE: REF DWG-WELD COMP ASSM

DRAWING NUMBER: 497-3269-00

SHEET 1 OF 2 DWG

4 SIZE

D

C

B

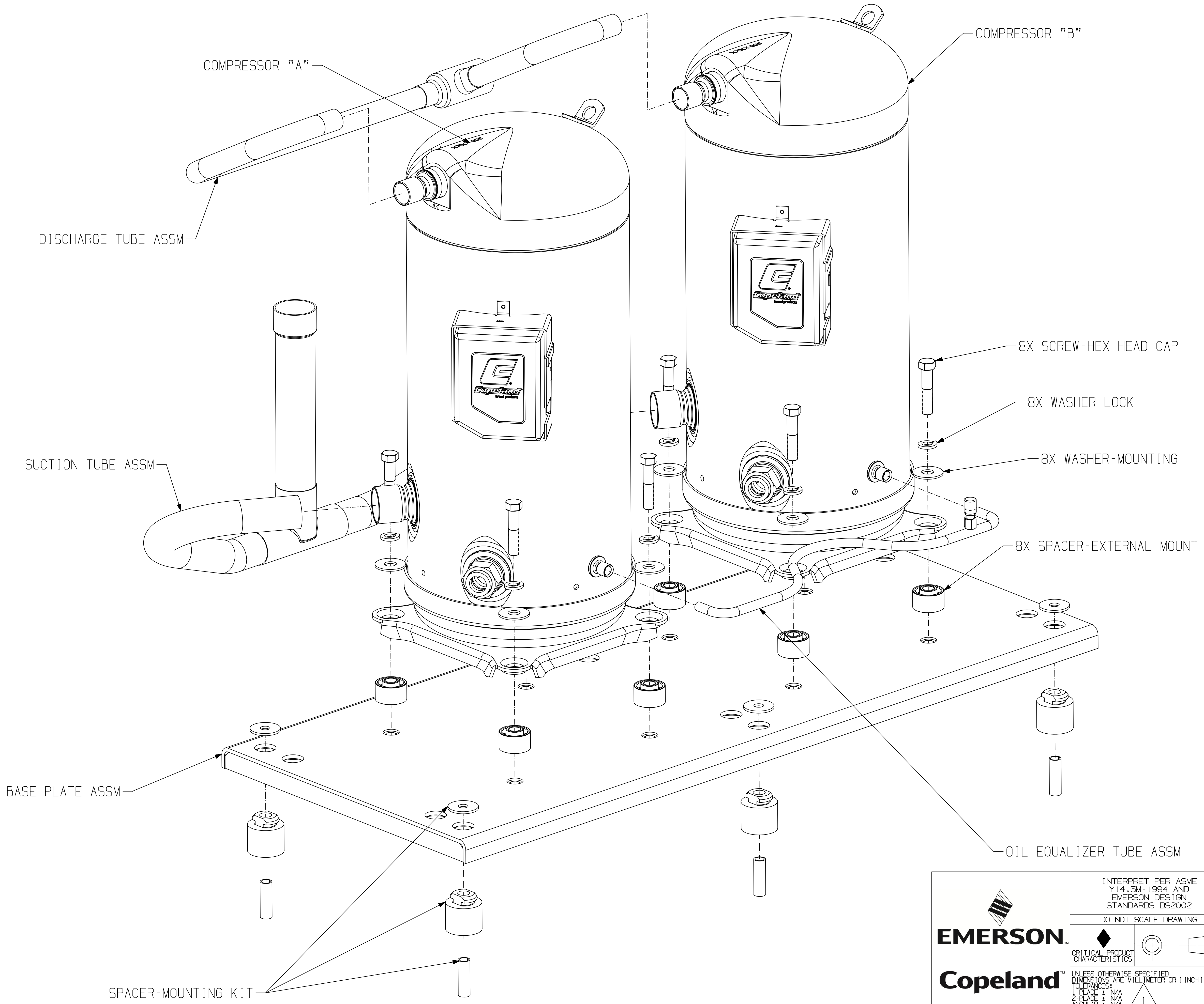
A

D

C

B

A



OBSOLETE

ECN318917	2	OBSOLETE	09-03-21	GT	ZH
ECN313657	1	SEE SHEET 1	05-27-20	GT	ZH
ECN312822	0	RELEASED	12-03-19	AZ	ZH
ENG NOTICE NO.	REV. NO.	REVISIONS	DATE	BY	CHKD
15		CONFIDENTIALITY NOTICE			
THIS DRAWING AND INFORMATION CONTAINED HEREIN ARE THE EXCLUSIVE PROPERTY OF EMERSON CLIMATE TECHNOLOGIES, INC AND/OR ITS AFFILIATES (COLLECTIVELY "EMERSON") AND SHALL BE RETURNED UPON DEMAND AND SHALL NOT BE REPRODUCED IN WHOLE OR IN PART, DISCLOSED TO ANYONE ELSE OR USED, WITHOUT THE WRITTEN CONSENT OF EMERSON.					
MATERIAL SPECIFICATION		DRAWN BY	SUPERSEDES DWG NO / REV NO		
N/A		AZ	- / -		
		DATE	SCALE	DATE FORMAT:	
		12-03-19	1:2	MM-DD-YY	
TITLE			DRAWING NUMBER	SHEET 2 OF 2 DWG	
REF DWG-WELD COMP ASSM			497-3269-00	4	
			SIZE		

EMERSON
Copeland

INTERPRET PER ASME Y14.5M-1994 AND EMERSON DESIGN STANDARDS DS2002
DO NOT SCALE DRAWING

CRITICAL PRODUCT CHARACTERISTICS

UNLESS OTHERWISE SPECIFIED DIMENSIONS ARE MILLIMETER OR (INCH)
TOLERANCES:
1-PLACE : N/A
2-PLACE : N/A
ANGULAR : N/A

© COPYRIGHT EMERSON - CONFIDENTIAL