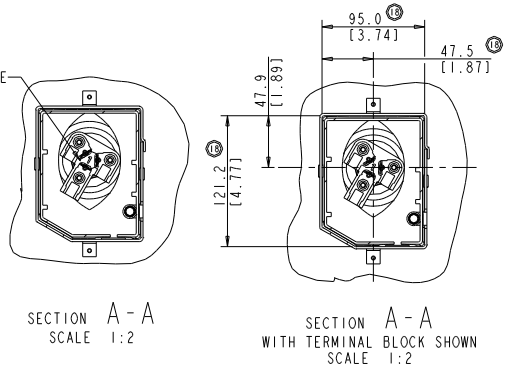
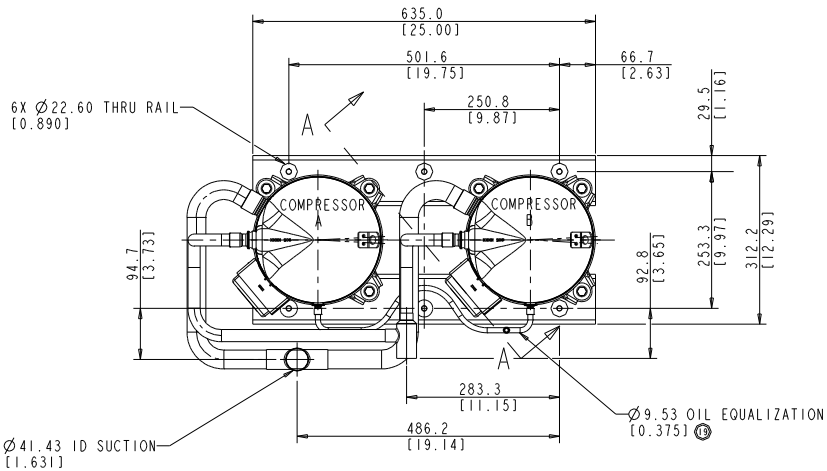
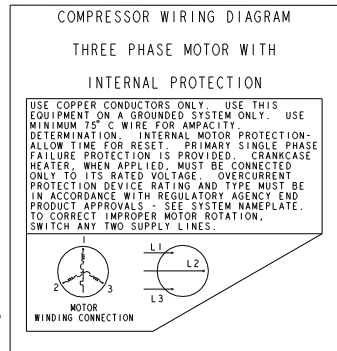
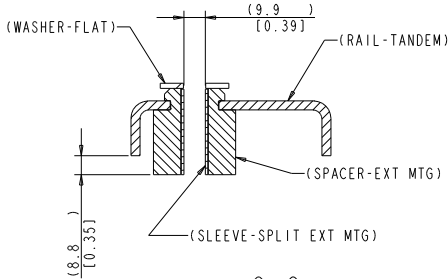
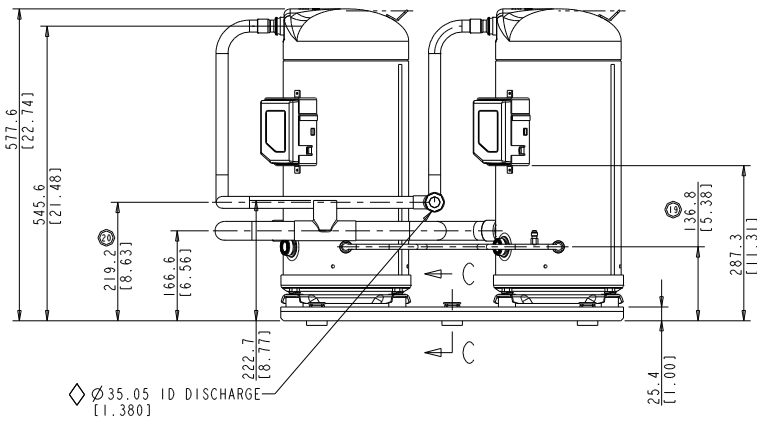


|              |
|--------------|
| MODEL NUMBER |
| ZRT250KC/KCE |
| ZRT216KC/KCE |
| ZRT288KC/KCE |
| ZPT240KCE    |
| ZPT206KCE    |
| ZPT274KCE    |

| SPECIFICATIONS |                   |
|----------------|-------------------|
| ES NO.         | DESCRIPTION       |
| ES92-155       | CONVERSION-METRIC |



- NOTES:
- 1 ALL TOLERANCES ±1.5 [0.06] UNLESS OTHERWISE SPECIFIED. DUE TO ACCUMULATED ASSEMBLY TOLERANCES THE LISTED COMPONENTS MAY VARY FROM THE MOUNTING HOLES AS TABULATED.
  - ◇ SUCTION FITTING ±3.0 [0.12]
  - ◇ DISCHARGE FITTING ±3.0 [0.12]
  - 2. MOUNTING KIT: 527-0177-00
  - 3. TUBE ENDS MUST BE PLUGGED.



**EMERSON**  
Climate Technologies

**Copeland**

INTERPRET PER ASME Y14.5M-1994 AND EMERSON CLIMATE TECHNOLOGIES, INC. DESIGN STANDARDS DS2002 DO NOT SCALE DRAWING

CRITICAL PRODUCT CHARACTERISTIC

UNLESS OTHERWISE SPECIFIED DIMENSIONS ARE MILLIMETER OR (INCH) TOLERANCES

1-PLACE ± N/A  
2-PLACE ± N/A  
ANGULAR ± N/A

THIRD ANGLE PROJECTION

|             |    |   |          |     |     |     |
|-------------|----|---|----------|-----|-----|-----|
| ECN001607   | 20 | UPDATE DISCHARGE TUBE ASSEMBLY            | 10-15-09 | XHT | LLB | KJR |
| ECN001607   | 19 | UPDATE DRAWING WITH ASSM-OIL EQUALIZATION | 09-21-09 | XHT | LLB | KJR |
| ECN001411   | 18 | ADDED DIMENSIONS                          | 11-05-08 | PBM | NJG | KJR |
| ECN000091   | 17 | REVISED AND REDRAWN                       | 10-24-06 | NJG | CBK | RST |
| 32-0499-014 | 0  | RELEASED                                  | 07-01-99 | SMD | RST | RST |

| ENG NOTICE NO. | REV. NO. | REVISIONS  | DATE | BY | CHD | APPR |
|----------------|----------|--|------|----|-----|------|
| 15             |          | THIS DRAWING AND INFORMATION CONTAINED HEREIN ARE THE EXCLUSIVE PROPERTY OF EMERSON CLIMATE TECHNOLOGIES, INC. AND SHALL BE RETURNED UPON DEMAND AND SHALL NOT BE REPRODUCED IN WHOLE OR IN PART DISCLOSED TO ANYONE ELSE OR USED, WITHOUT THE WRITTEN CONSENT OF EMERSON CLIMATE TECHNOLOGIES, INC. |      |    |     |      |

|                        |          |                                |             |
|------------------------|----------|--------------------------------|-------------|
| MATERIAL SPECIFICATION |          | SUPERSEDES DWG. NO. 7 REV. NO. |             |
| N/A                    | DATE     | 497-2734-00 / 16               |             |
|                        | 10-24-06 | SCALE                          | DATE FORMAT |
|                        |          | 1:4                            | MM-DD-YY    |

|                       |                |              |
|-----------------------|----------------|--------------|
| TITLE                 | DRAWING NUMBER | SHEET 1 OF 1 |
| REF DWG-WELD COMP ASM | 497-2734-00    | 4            |