

PART NUMBER	MODEL NUMBER	CUSTOMER CONNECTIONS	MOUNTING KIT
497-1892-00	ZR160KC/KCE ZR190KC/KCE ZP154KCE/KSE ZP182KCE/KSE	BRAZED WITHOUT SIGHTGLASS WITHOUT OIL ADJUSTMENT	527-0210-00
497-1892-01	ZR160KC/KCE ZR190KC/KCE ZP154KCE ZP182KCE	ROTALOCK WITHOUT SIGHTGLASS WITHOUT OIL ADJUSTMENT	527-0210-00
497-1892-02	ZR160KC/KCE ZR190KC/KCE ZP154KCE/KSE ZP182KCE/KSE	BRAZED WITH SIGHTGLASS WITH OIL ADJUSTMENT	527-0210-00 527-0182-01 (FOR TANDEM)
497-1892-03	ZR160KC/KCE ZR190KC/KCE ZP154KCE ZP182KCE	ROTALOCK WITH SIGHTGLASS WITH OIL ADJUSTMENT	527-0210-00

SPECIFICATIONS	
ES NO.	DESCRIPTION
ES92-155	CONVERSION-METRIC

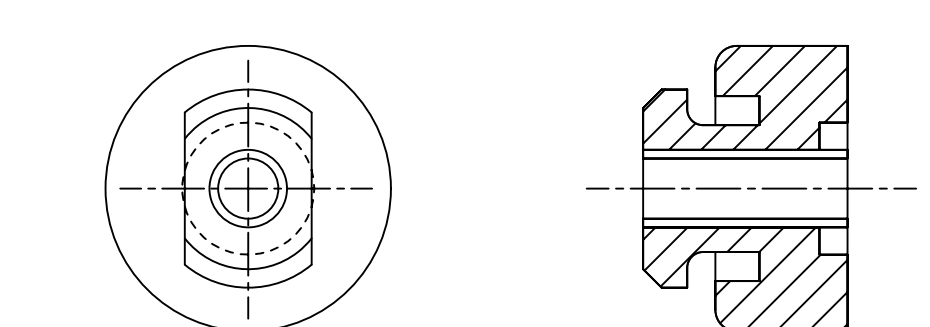
NOTES:

1 ALL TOLERANCES ± 1.5 [0.06] UNLESS OTHERWISE SPECIFIED. DUE TO ACCUMULATED ASSEMBLY TOLERANCES THE LISTED COMPONENTS MAY VARY FROM THE MOUNTING HOLES AS TABULATED.

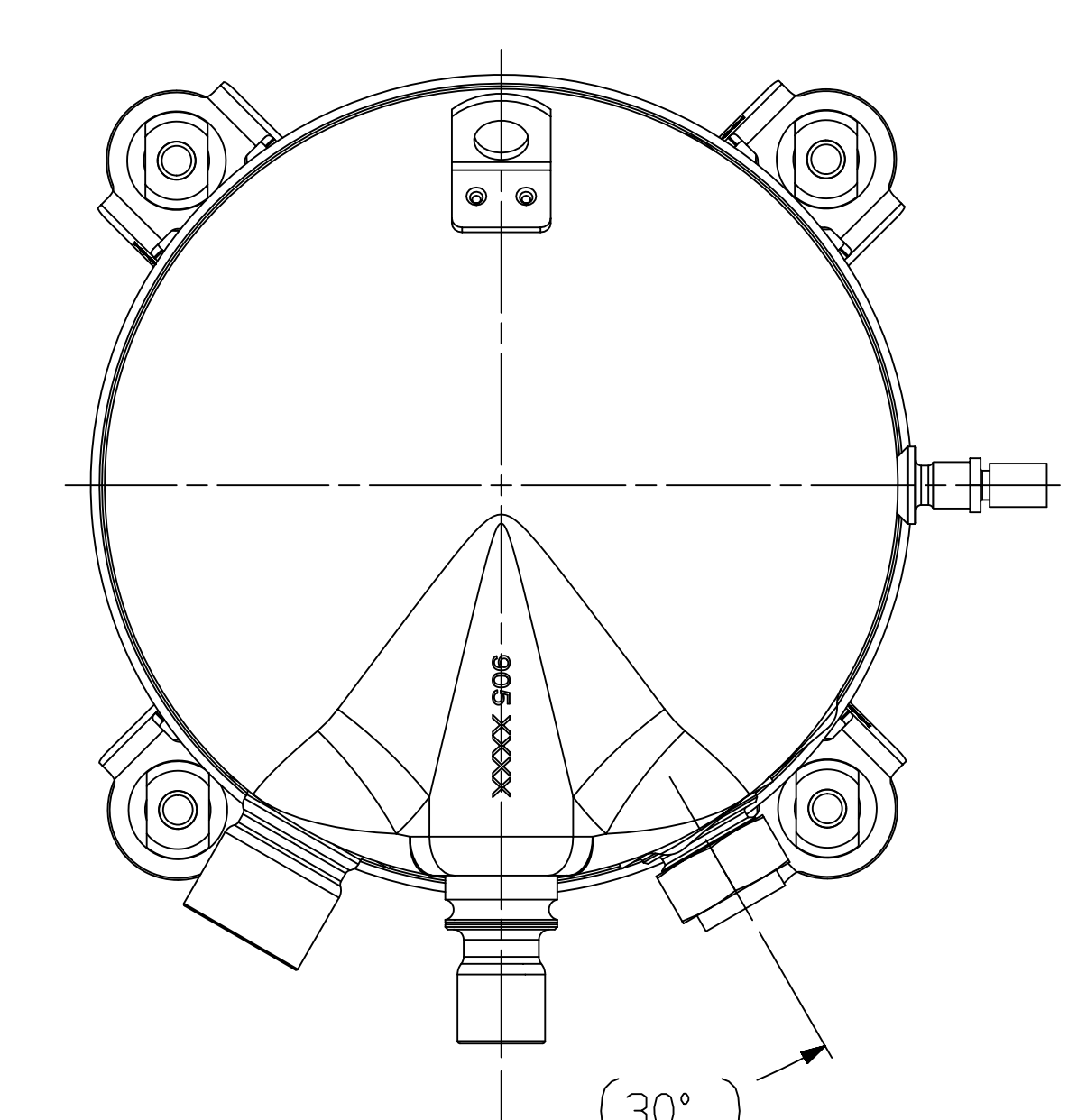
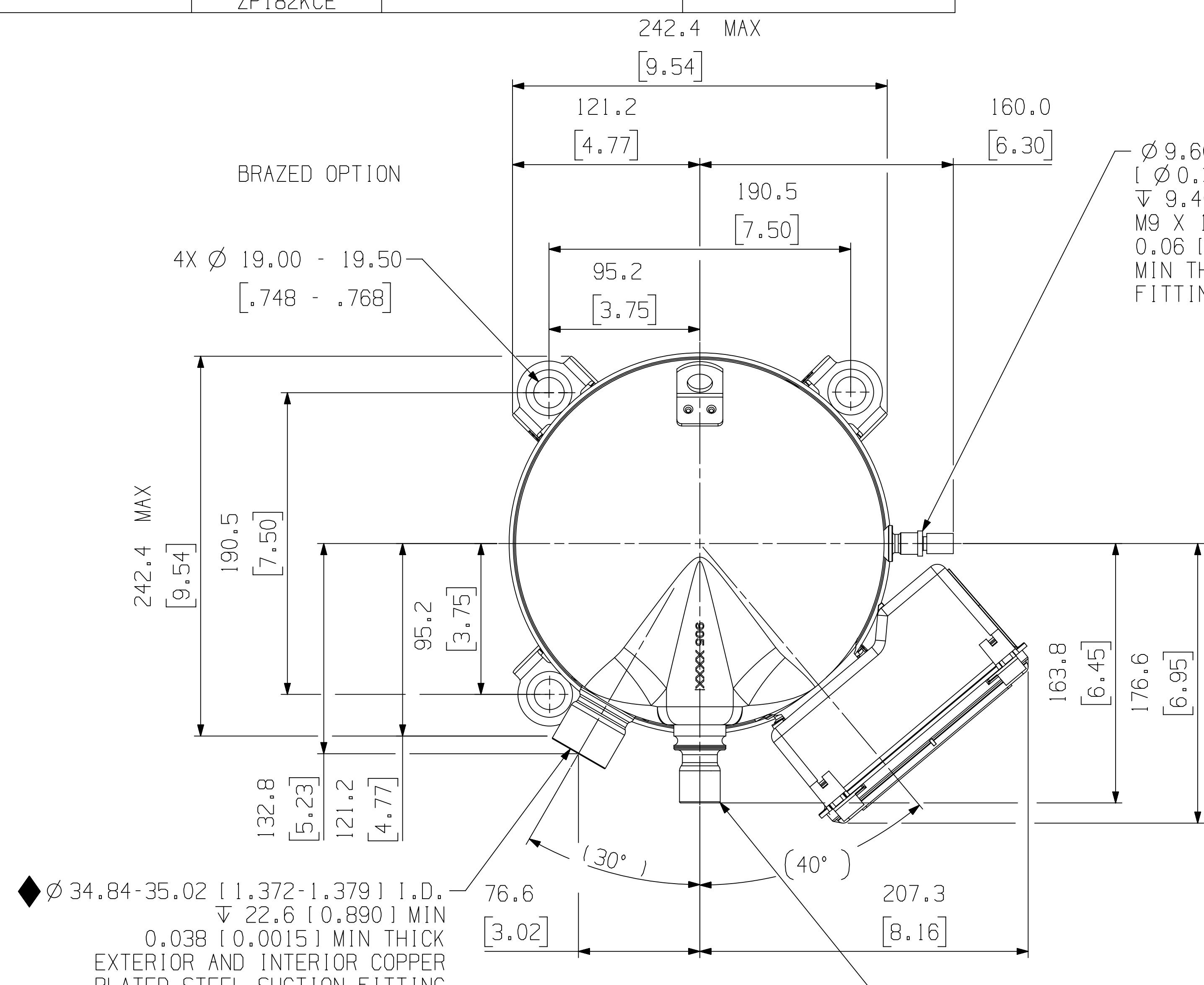
2 SUCTION FITTING ± 3.0 [0.12]
DISCHARGE FITTING ± 3.0 [0.12]
OIL LEVEL FITTING ± 3.0 [0.12]

2. MOUNTING KIT :

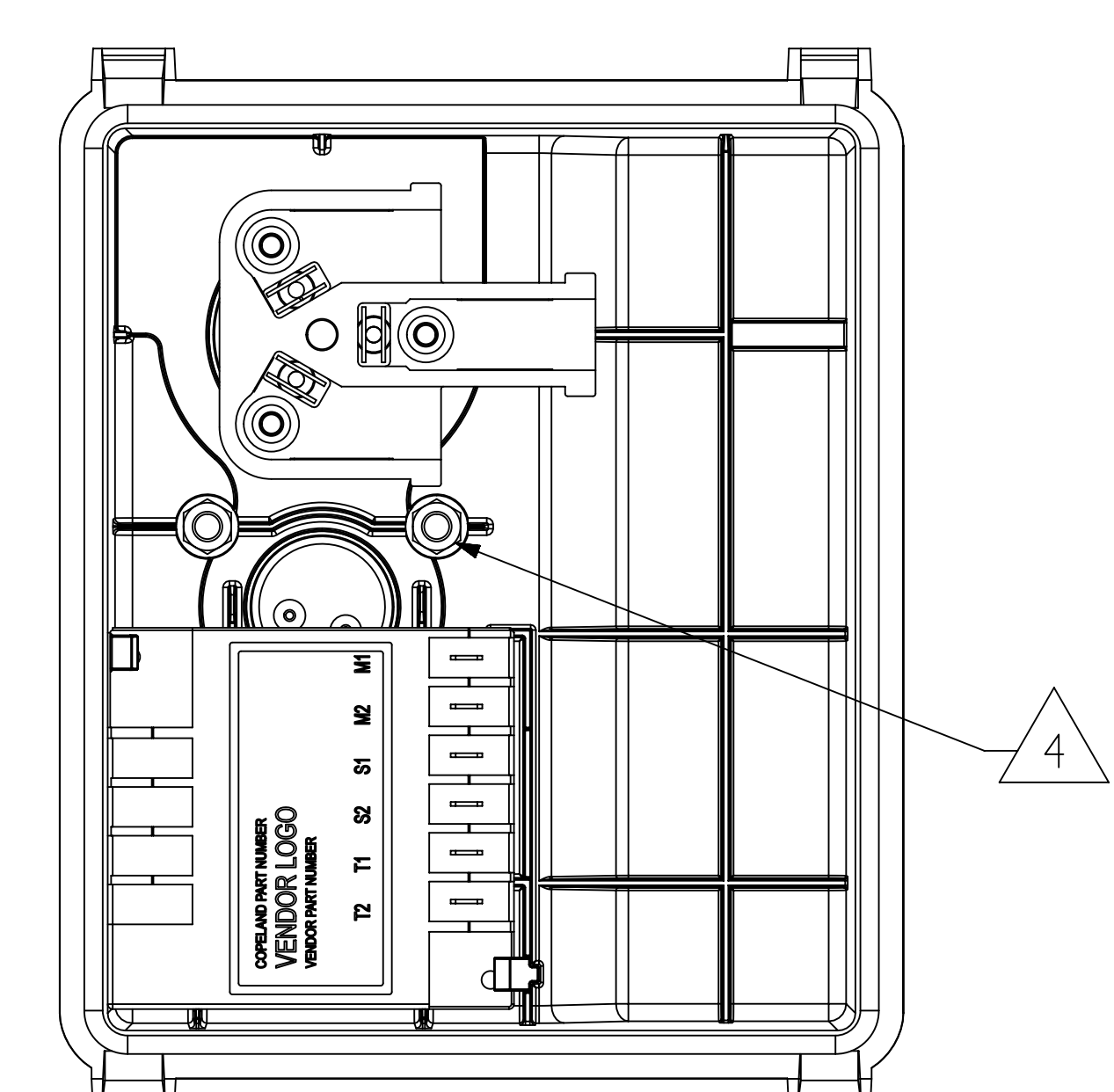
GROMMET DUROMETER	4 FOOT KIT
55-65	527-0210-00



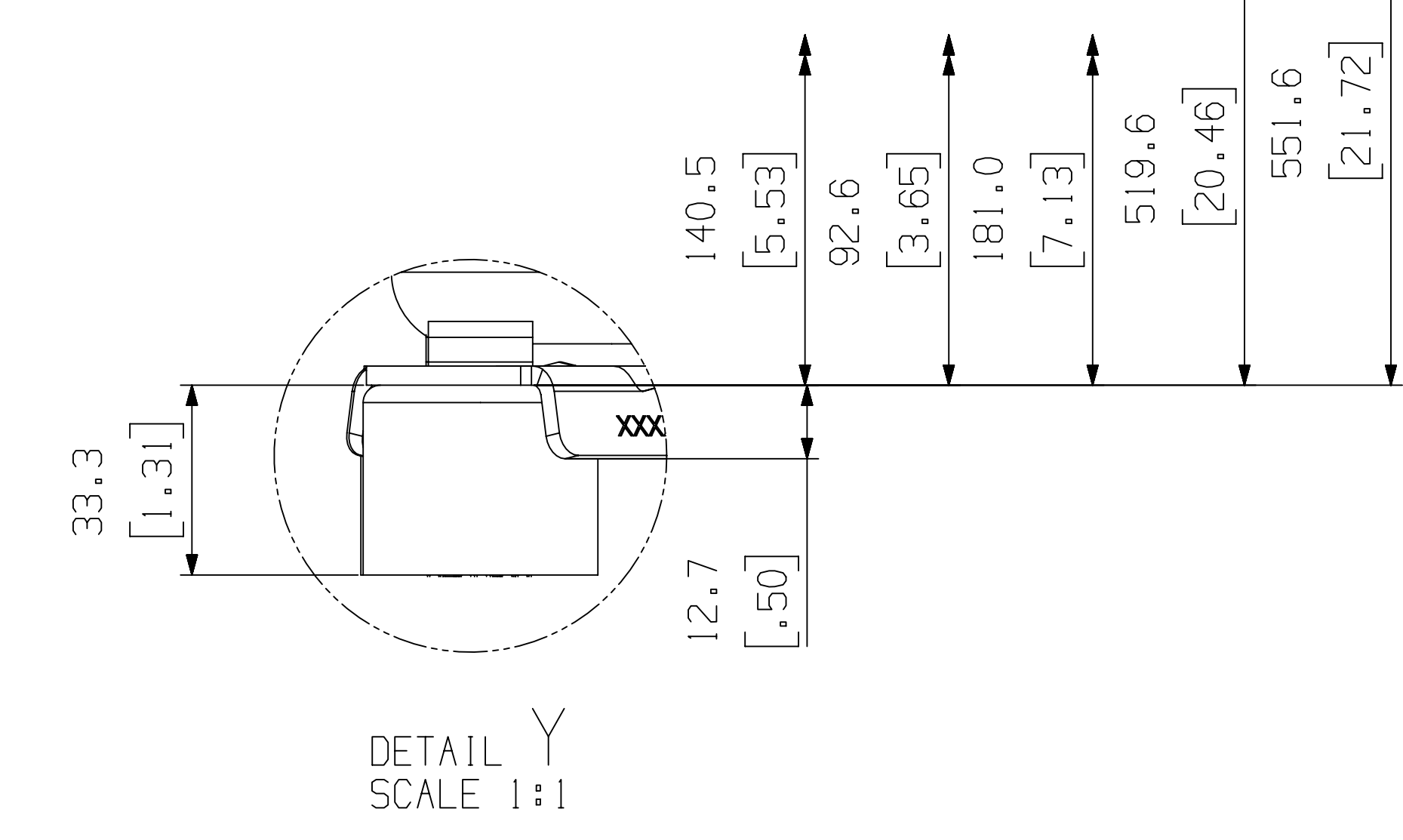
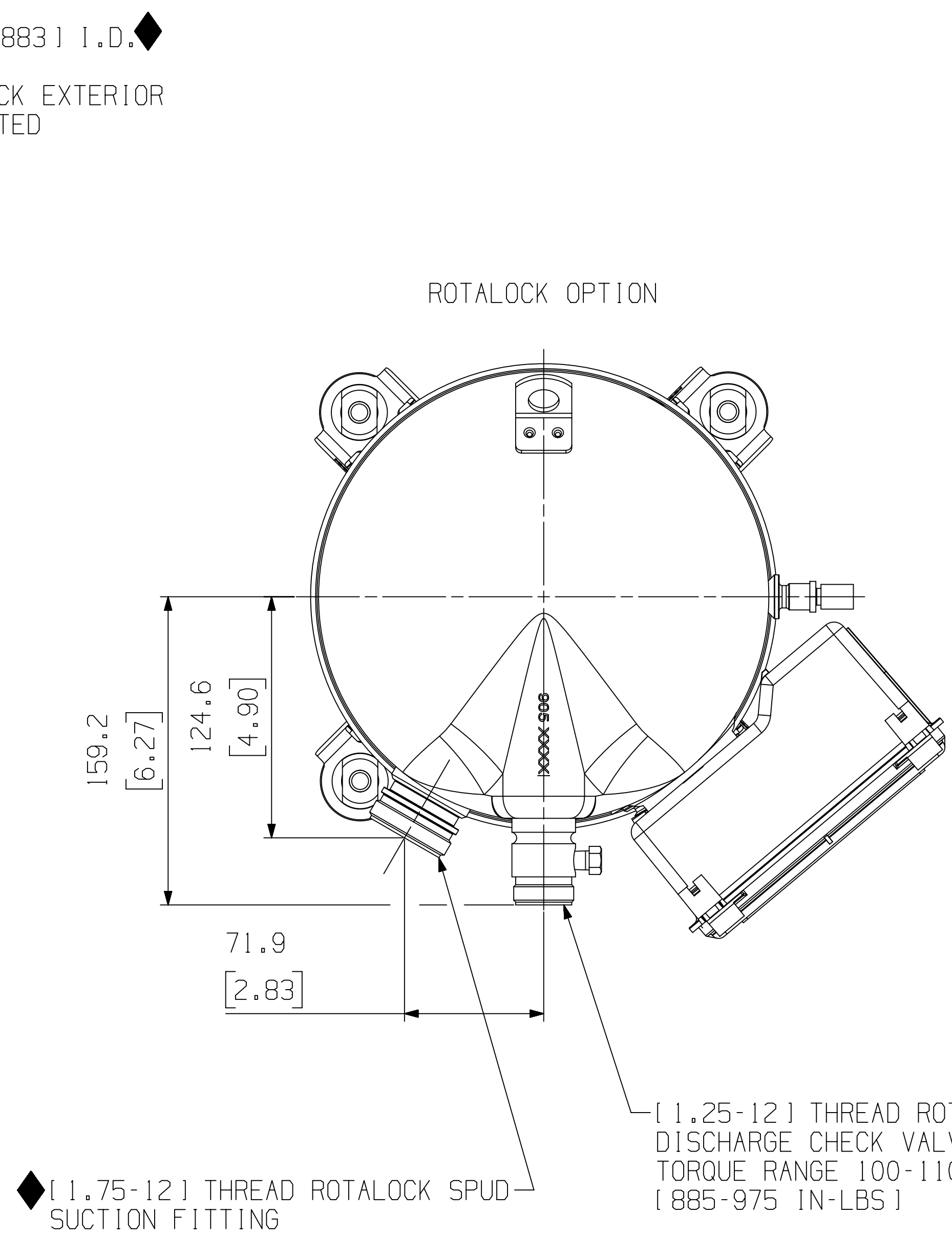
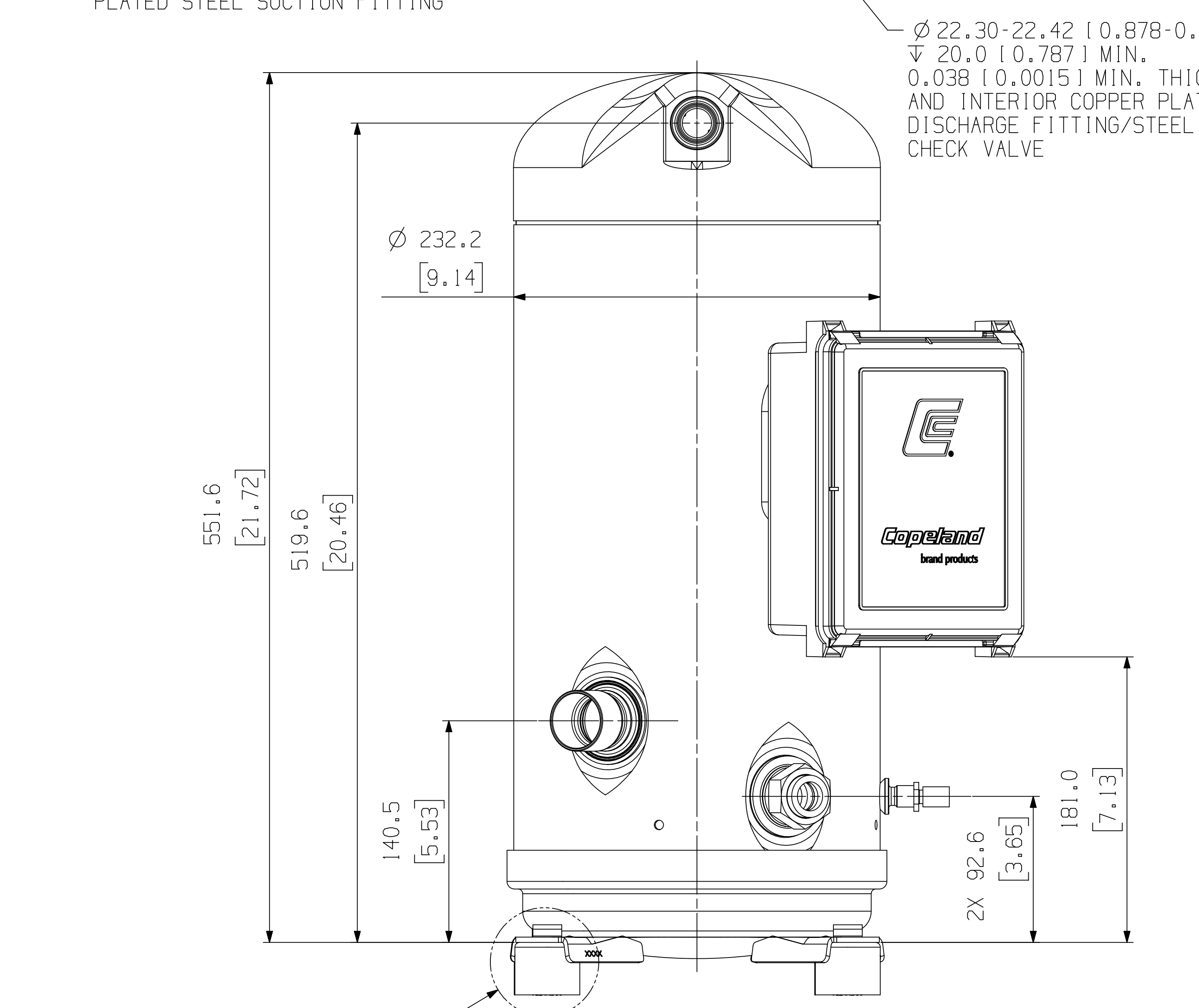
3. TUBE ENDS MUST BE PLUGGED.
4. GROUNDING SCREW AND WASHER PER BOM.



SIGHTGLASS LAYOUT T-BOX REMOVED



TERMINAL BOX LAYOUT STANDARD SCALE 3:4



DETAIL Y SCALE 1:1

SYMBOLS/SÍMBOLOS

1 THERMAL SENSORS/SENSORES TÉRMICOS
2 PROTECTOR MODULE VOLTAGE/VOLTAJE DEL PROTECTOR TÉCNICO
3 TO CONTROL CIRCUIT/CIRCUITO DE CONTROL

WHEN CHECKING SOLID STATE MODULE
DO NOT SHORT ACROSS S1 AND S2 SENSOR TERMINALS
MODULE HAS 30 MINUTES TIME DELAY BEFORE RESET IN EVENT OF PROTECTOR TRIP

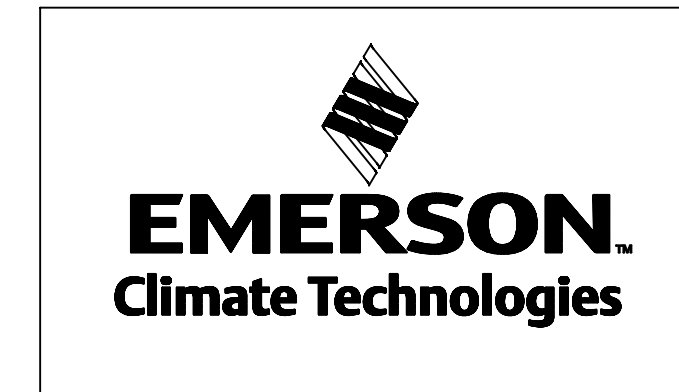
AL PROBAR EL MÓDULO DE ESTADO SÓLIDO
NO HAGA UN CORTO ENTRE LOS TERMINALES S1 Y S2 CORRESPONDIENTES A LOS SENSORES INTERNOS
EL MÓDULO DEMORA 30 MIN. EN RESTABLECERSE EN CASO QUE LA PROTECCIÓN SEA ACTIVADA.

USE COPPER CONDUCTORS ONLY
USE MINIMUM 15°C WIRE FOR AMPACITY DETERMINATION. USE THIS EQUIPMENT ON A GROUNDED SYSTEM ONLY. PRIMARY SINGLE PHASE FAILURE PROTECTION IS PROVIDED. PROTECTOR MODULE AND OPTIONAL CHANGING HEATER MUST BE CONNECTED ONLY TO THEIR RATED VOLTAGE. OVERCURRENT PROTECTION DEVICE RATING AND TYPE MUST BE IN ACCORDANCE WITH REGULATORY AGENCY END PRODUCT APPROVALS. SEE SYSTEM NAMEPLATE.

UTILICE ÚNICAMENTE CONDUCTORES DE COBRE
UTILICE CABLE DE 15°C PARA DETERMINAR LA CORRIENTE ADMISIBILE UTILICE ESTE EQUIPO ÚNICAMENTE EN UN SISTEMA CON CONEXIÓN A TIERRA.
INCLUIRE PROTECCIÓN POR FALLAS MONOFÁSICAS PRIMARIAS. EL MÓDULO DE PROTECCIÓN Y EL CALENTADOR DE CARTER OPCIONAL DEBERÁN SER CONECTADOS ÚNICAMENTE A SU RESPECTIVO VOLTAJE NOMINAL.
EL TIPO Y CARACTERÍSTICAS NOMINALES DEL DISPOSITIVO DE PROTECCIÓN CONTRA SOBRECARGAS ELÉCTRICAS DEBERÁN ESTAR SUJETOS A LOS NIVELES DE APROBACIÓN Y EXIGENCIAS DE LAS AGENCIAS REGULADORAS.
-VER PLACA DE IDENTIFICACIÓN.

MOTOR WINDING CONNECTIONS/ CONEXIONES AL BOBINADO DEL MOTOR

TERMINAL BOX LAYOUT STANDARD SCALE 3:4



INTERPRET PER ASME Y14.5M-1994 AND EMERSON CLIMATE TECHNOLOGIES, INC. DESIGN STANDARDS DS2002
DO NOT SCALE DRAWING

CRITICAL PRODUCT CHARACTERISTICS

UNLESS OTHERWISE SPECIFIED DIMENSIONS ARE MILLIMETER OR 1 INCH

1-PLACE : 1
2-PLACE : 1
ANGULAR : 1

ECN308619	1	ADDED ZP154KSE FOR -00, ZP154/182KSE FOR -02	3-23-18	CC	ZH	AW
ECN102861	0	RELEASED	12-23-15	CYZ	LG	AW
ENG NOTICE NO.	REV. NO.	REVISIONS	DATE	BY	CHKD	APPR
CONFIDENTIALITY NOTICE						
15 THIS DRAWING AND INFORMATION CONTAINED HEREIN ARE THE EXCLUSIVE PROPERTY OF EMERSON CLIMATE TECHNOLOGIES, INC. AND SHALL BE RETURNED TO THE DRAWER UPON REQUEST. IT SHALL NOT BE REPRODUCED IN WHOLE OR IN PART, EITHER ELECTRONICALLY OR MECHANICALLY, WITHOUT THE WRITTEN CONSENT OF EMERSON CLIMATE TECHNOLOGIES, INC.						
MATERIAL SPECIFICATION			DRAWN BY		SUPERSEDES DWG. NO. / REV. NO.	
N/A			CYZ		497-1677-00/000	
			DATE		SCALE	
			12-23-15		1:2	
			DATE FORMAT:		MM-DD-YY	
			DRAWING NUMBER		SHEET 1 OF 1	
TITLE			DRAWING NUMBER		SHEET 1 OF 1	
REF DWG-WELD COMP ASSM			497-1892-00		5	
					SIZE	
					UNCONTROLLED - DO NOT MODIFY	

COPYRIGHT EMERSON CLIMATE TECHNOLOGIES, INC. - CONFIDENTIAL