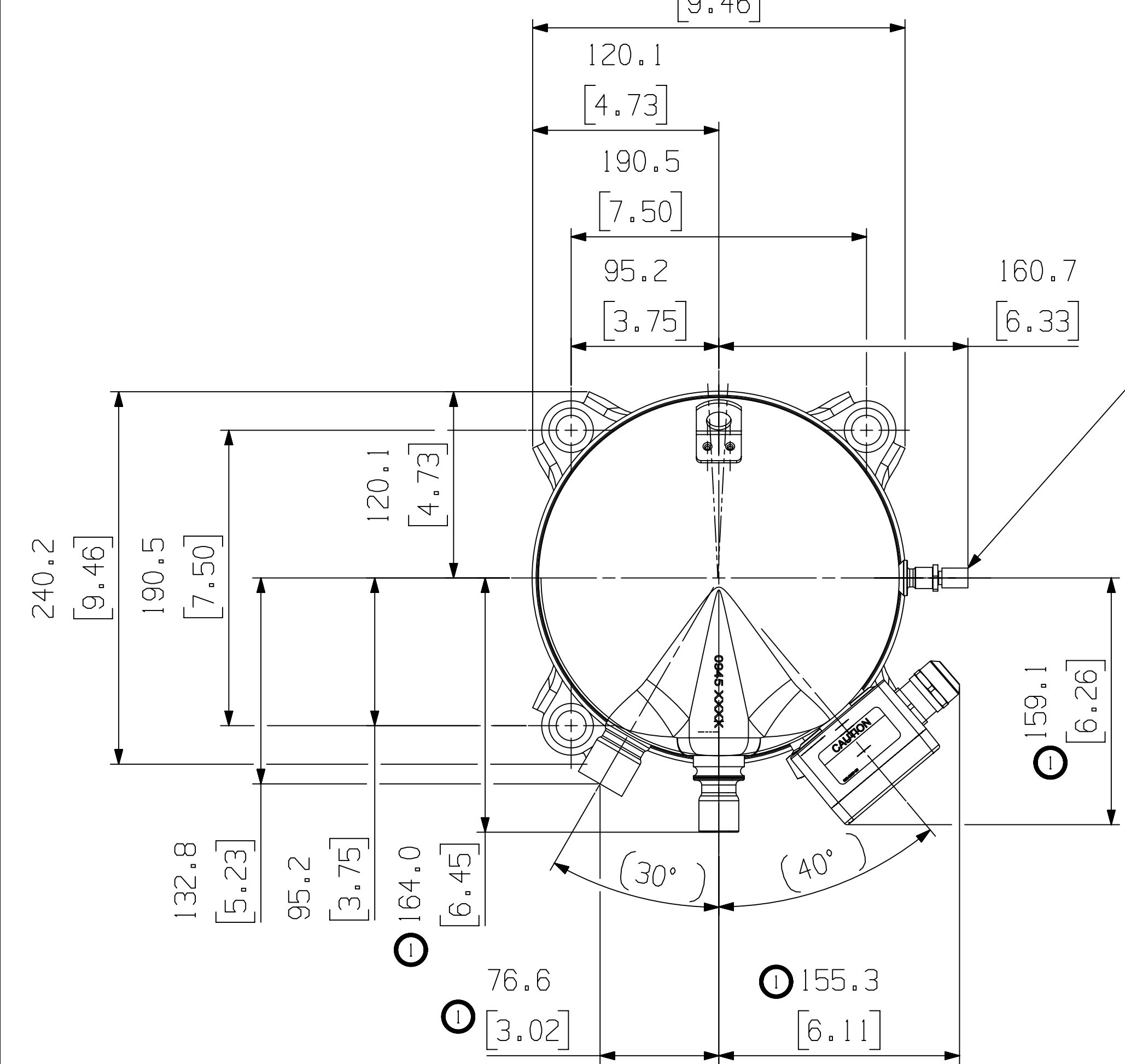
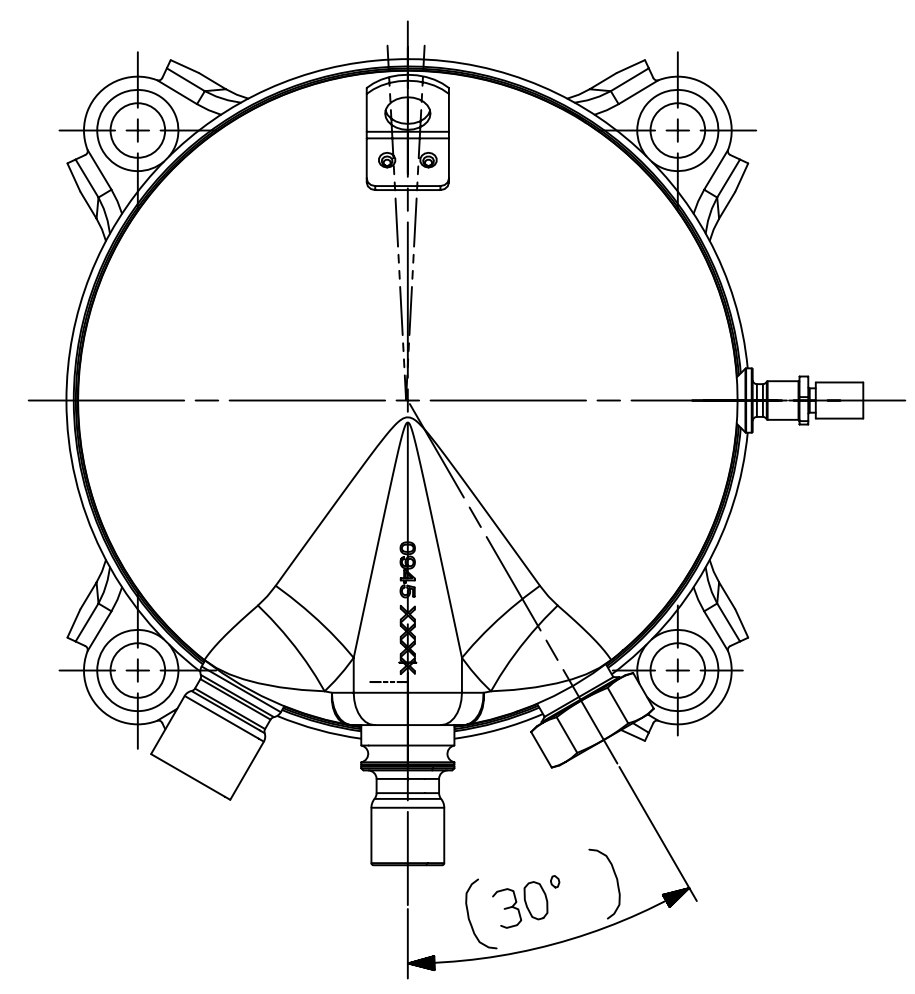


MODEL NUMBER  
ZR94KCE-TFD-411

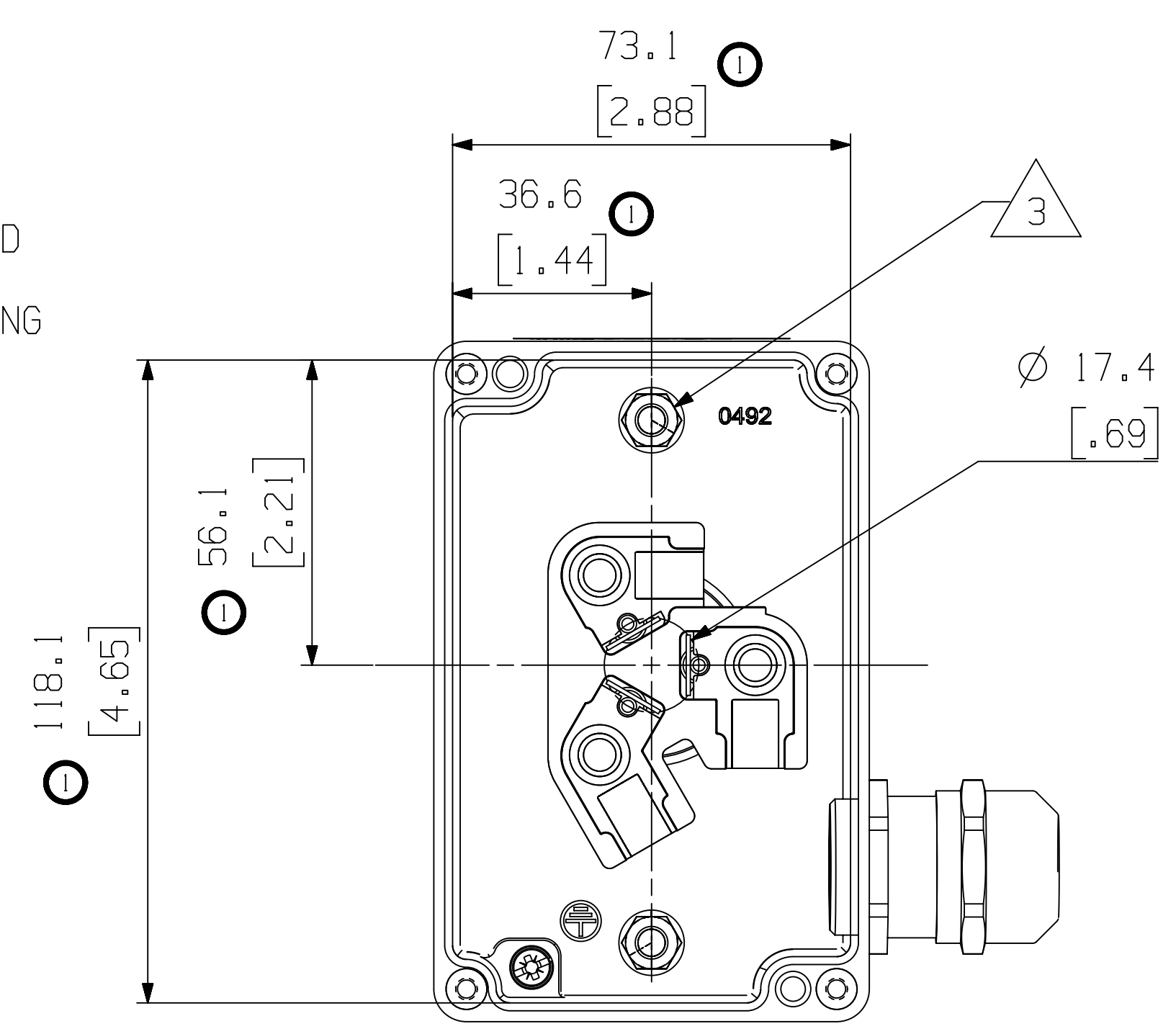
SPECIFICATIONS	
ES NO.	DESCRIPTION
ES92-155	CONVERSION-METRIC



Ø 9.60-9.78 [0.378-0.385] ID ◆  
√ 9.4 [0.370] MIN.  
M9 x 1.25-6H THRU, THREADS TO BE  
FREE OF COPPER PLATING.  
0.06 [0.002] MIN. THICK EXTERIOR AND  
0.038 [0.0015] MIN. THICK INTERIOR  
COPPER PLATED STEEL OIL LEVEL FITTING



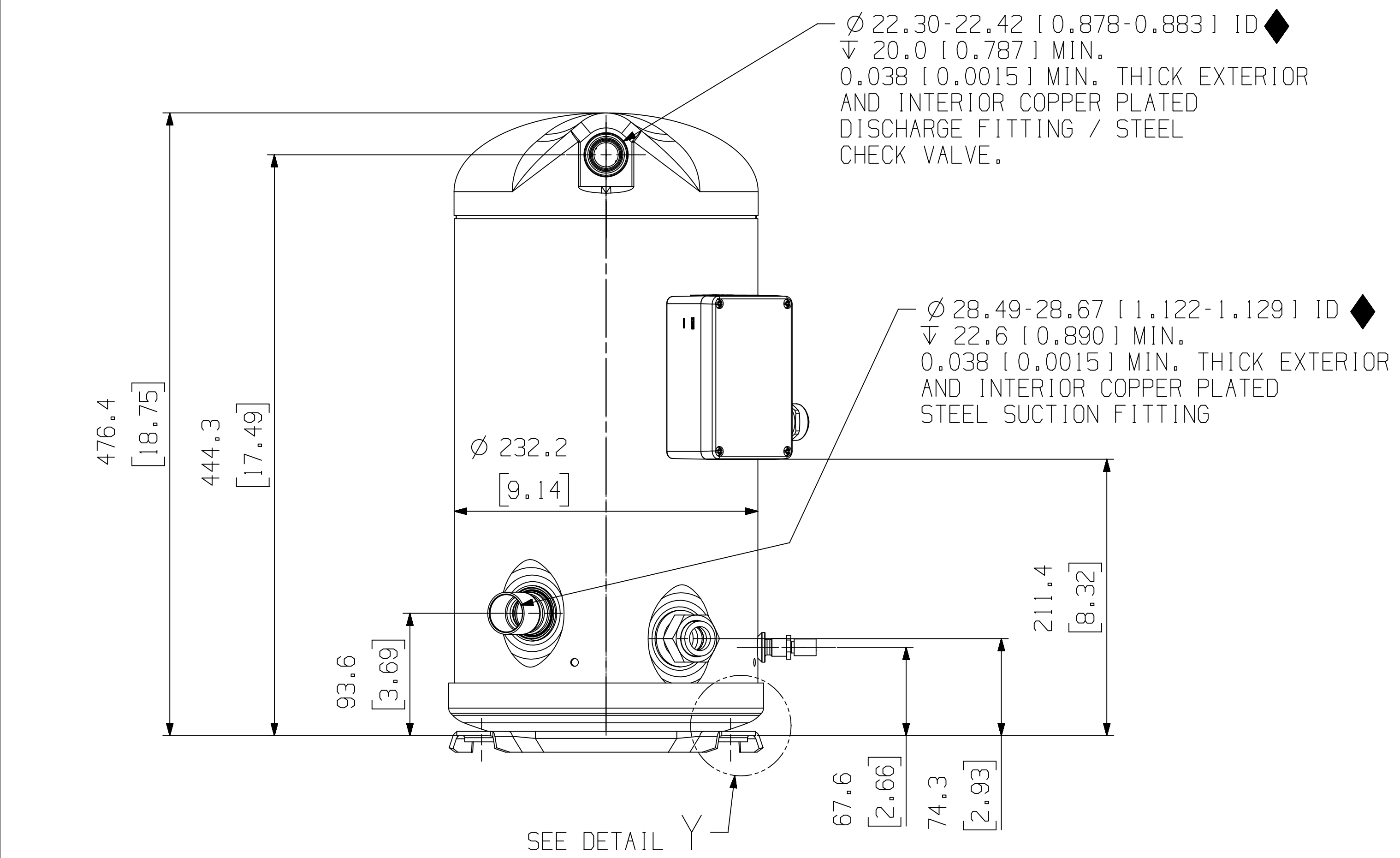
SIGHT GLASS LAYOUT  
T-BOX REMOVED



T-BOX LAYOUT STANDARD  
T-BOX COVER REMOVED  
SCALE 1:1

NOTES:

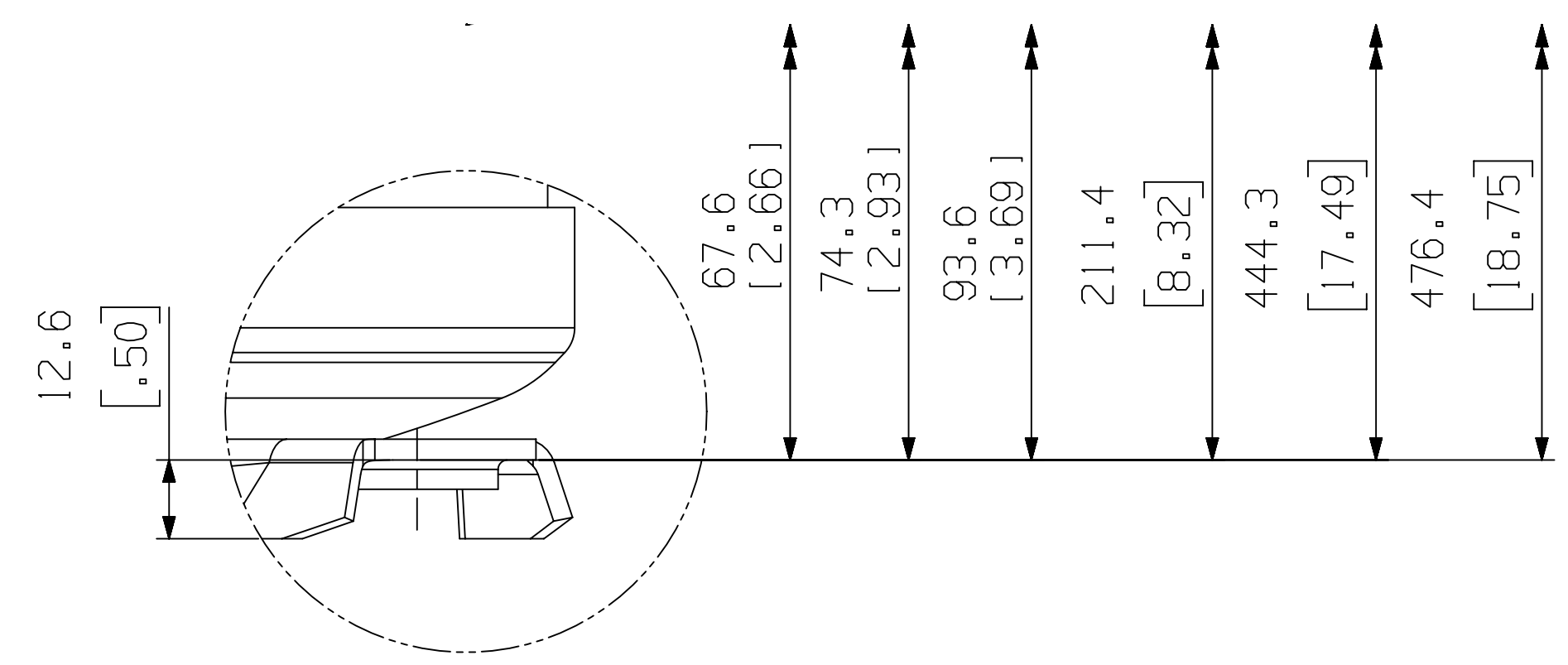
- 1 ALL TOLERANCES ± 1.5 [0.06] UNLESS OTHERWISE SPECIFIED. DUE TO ACCUMULATED ASSEMBLY TOLERANCES THE LISTED COMPONENTS MAY VARY FROM THE MOUNTING HOLES AS TABULATED.
- ◆ SUCTION FITTING ± 3.0 [0.12]
- ◆ DISCHARGE FITTING ± 3.0 [0.12]
- 2. TUBE ENDS MUST BE PLUGGED.
- 3 GROUNDING SCREW AND WASHER PER BOM.



Ø 22.30-22.42 [0.878-0.883] ID ◆  
√ 20.0 [0.787] MIN.  
0.038 [0.0015] MIN. THICK EXTERIOR  
AND INTERIOR COPPER PLATED  
DISCHARGE FITTING / STEEL  
CHECK VALVE.

Ø 28.49-28.67 [1.122-1.129] ID ◆  
√ 22.6 [0.890] MIN.  
0.038 [0.0015] MIN. THICK EXTERIOR  
AND INTERIOR COPPER PLATED  
STEEL SUCTION FITTING

SEE DETAIL Y



DETAIL Y  
SCALE 1:1

**COMPRESSOR WIRING DIAGRAM**  
**THREE PHASE MOTOR WITH**  
**INTERNAL PROTECTION**

USE COPPER CONDUCTORS ONLY. USE THIS EQUIPMENT ON A GROUNDED SYSTEM ONLY. USE MINIMUM 75° C WIRE FOR AMPACITY DETERMINATION. INTERNAL MOTOR PROTECTION-ALLOW TIME FOR RESET. PRIMARY SINGLE PHASE FAILURE PROTECTION IS PROVIDED. CRANKCASE HEATER, WHEN APPLIED, MUST BE CONNECTED ONLY TO ITS RATED VOLTAGE. OVERCURRENT PROTECTION DEVICE RATING AND TYPE MUST BE IN ACCORDANCE WITH REGULATORY AGENCY END PRODUCT APPROVALS - SEE SYSTEM NAMEPLATE. TO CORRECT IMPROPER MOTOR ROTATION, SWITCH ANY TWO SUPPLY LINES.

MOTOR  
WINDING CONNECTION



INTERPRET PER ASME  
Y14.5M-1994 AND  
COPELAND DESIGN  
STANDARDS DS2002

DO NOT SCALE DRAWING

CRITICAL PRODUCT CHARACTERISTICS

UNLESS OTHERWISE SPECIFIED  
DIMENSIONS ARE MILLIMETER OR ( INCH )

TOLERANCES:  
1-PLACE : N/A  
2-PLACE : N/A  
ANGULAR : N/A

ECN325210	2	UPDATED TITLE BLOCK	08-30-23		
ECN300208	1	CHANGED T-BOX	01-11-18	KVB	KB
ECN200156	0	RELEASED	03-28-16	MNT	MD
ENG NOTICE NO.	REV.NO.	REVISIONS	DATE	BY	CHKD
15		CONFIDENTIALITY NOTICE			
THIS DRAWING AND INFORMATION CONTAINED HEREIN ARE THE EXCLUSIVE PROPERTY OF COPELAND LP AND/OR ITS AFFILIATES (COLLECTIVELY "COPELAND") AND SHALL BE RETURNED UPON DEMAND AND SHALL NOT BE REPRODUCED IN WHOLE OR IN PART, DISCLOSED TO ANYONE ELSE OR USED, WITHOUT THE WRITTEN CONSENT OF COPELAND.					
MATERIAL SPECIFICATION		DRAWN BY	SUPERSEDES DWG NO / REV NO		
N/A		MNT	- / -		
		DATE	SCALE	DATE FORMAT:	
		03-28-16	3:8	MM-DD-YY	
TITLE			DRAWING NUMBER	SHEET 1 OF 1 DWG	
REF DWG-WELD COMP ASSM			497-1931-00	4	
			SIZE		