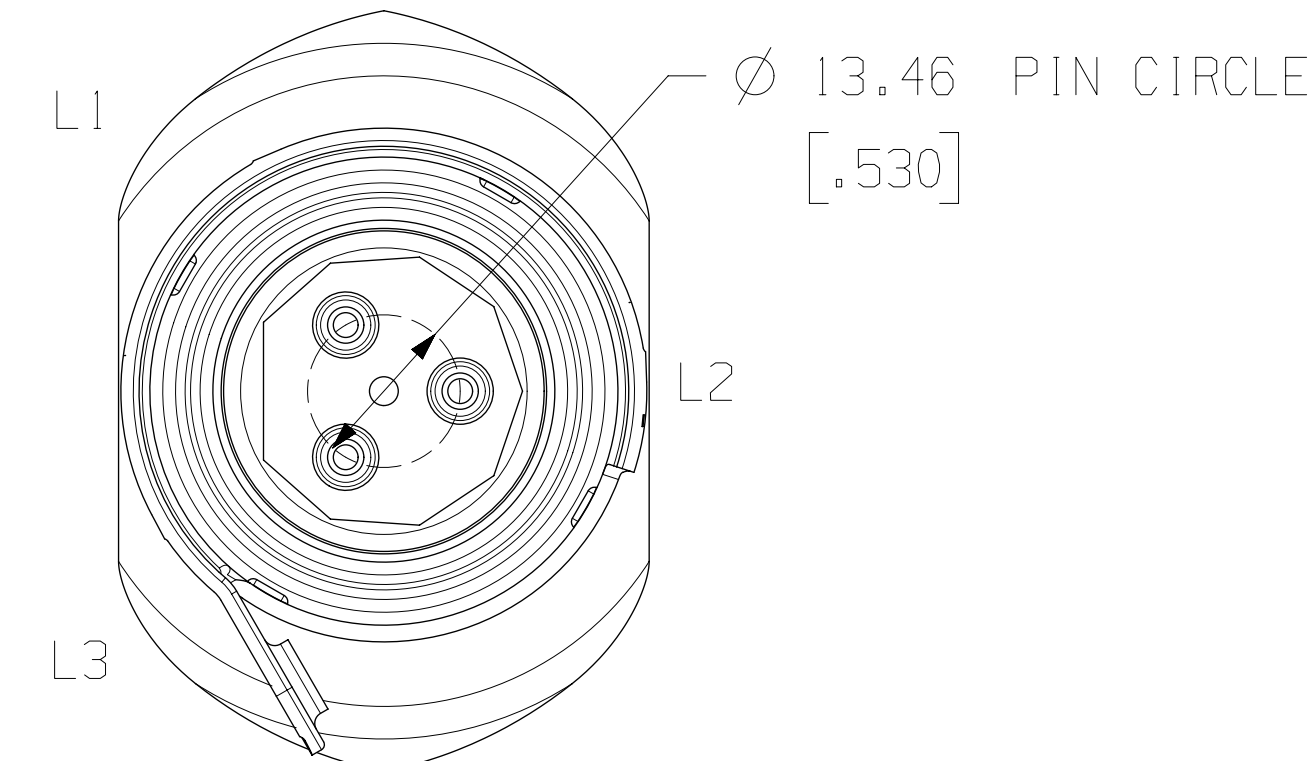
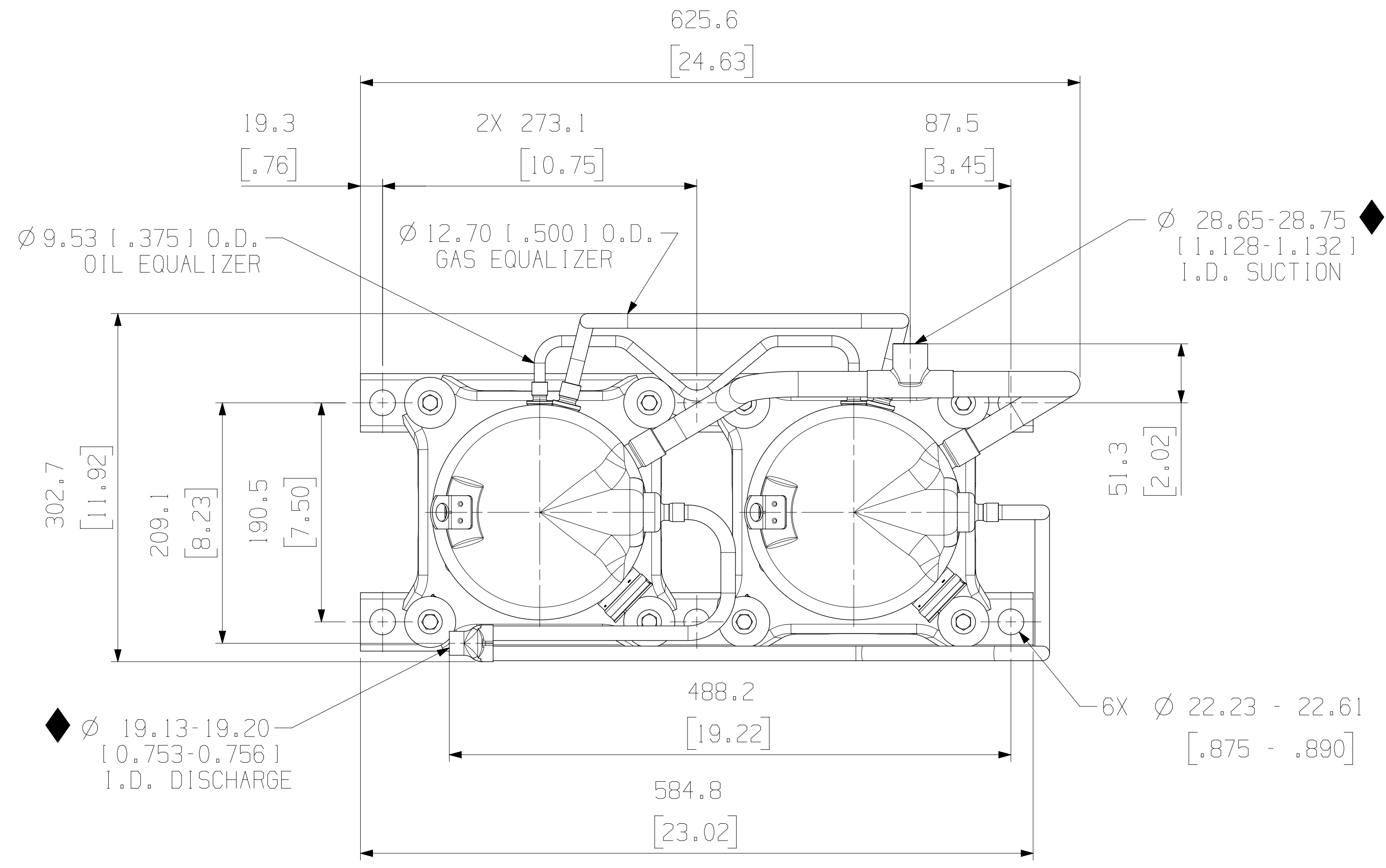


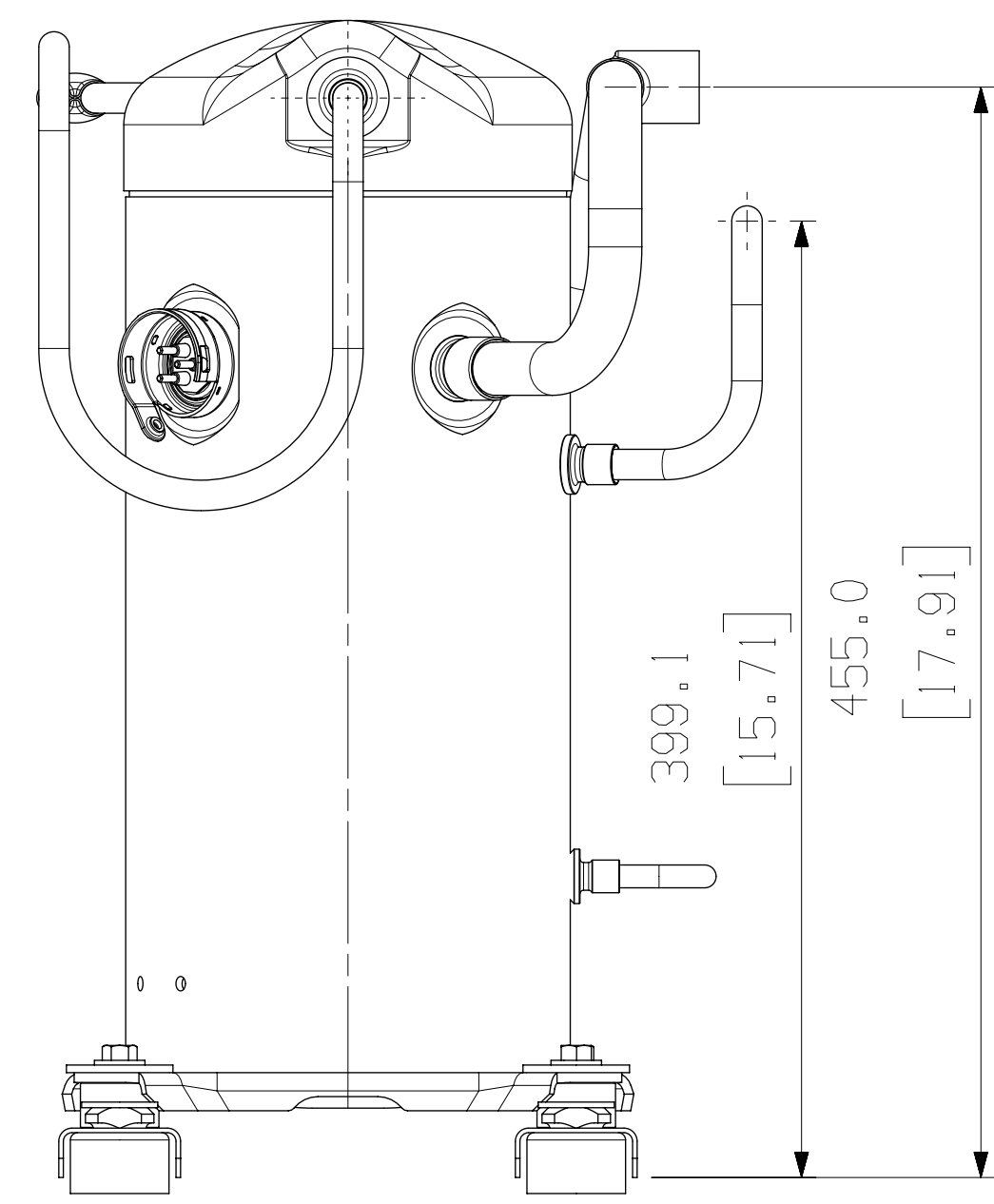
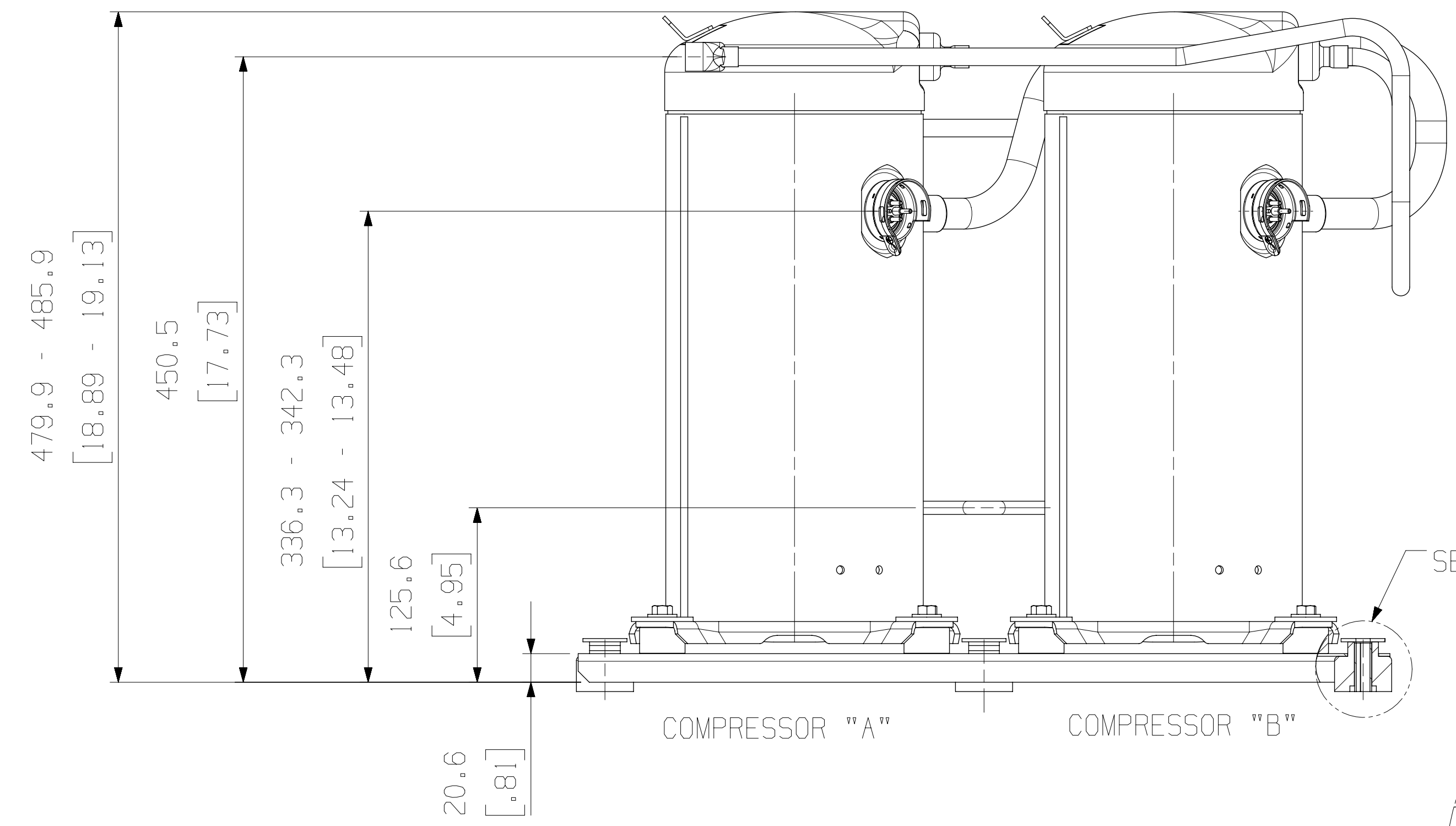
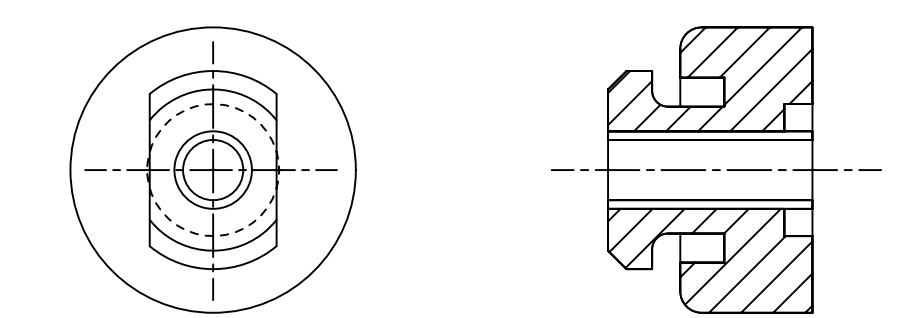
MODEL NUMBER	COMP "A"	COMP "B"
ZPT122KCE	ZP61KCE	ZP61KCE
ZPT134KCE	ZP67KCE	ZP67KCE
ZPT144KCE	ZP72KCE	ZP72KCE
ZPT152KCE	ZP76KCE	ZP76KCE
ZPT166KCE	ZP83KCE	ZP83KCE

SPECIFICATIONS	
ES NO.	DESCRIPTION
ES92-155	CONVERSION-METRIC

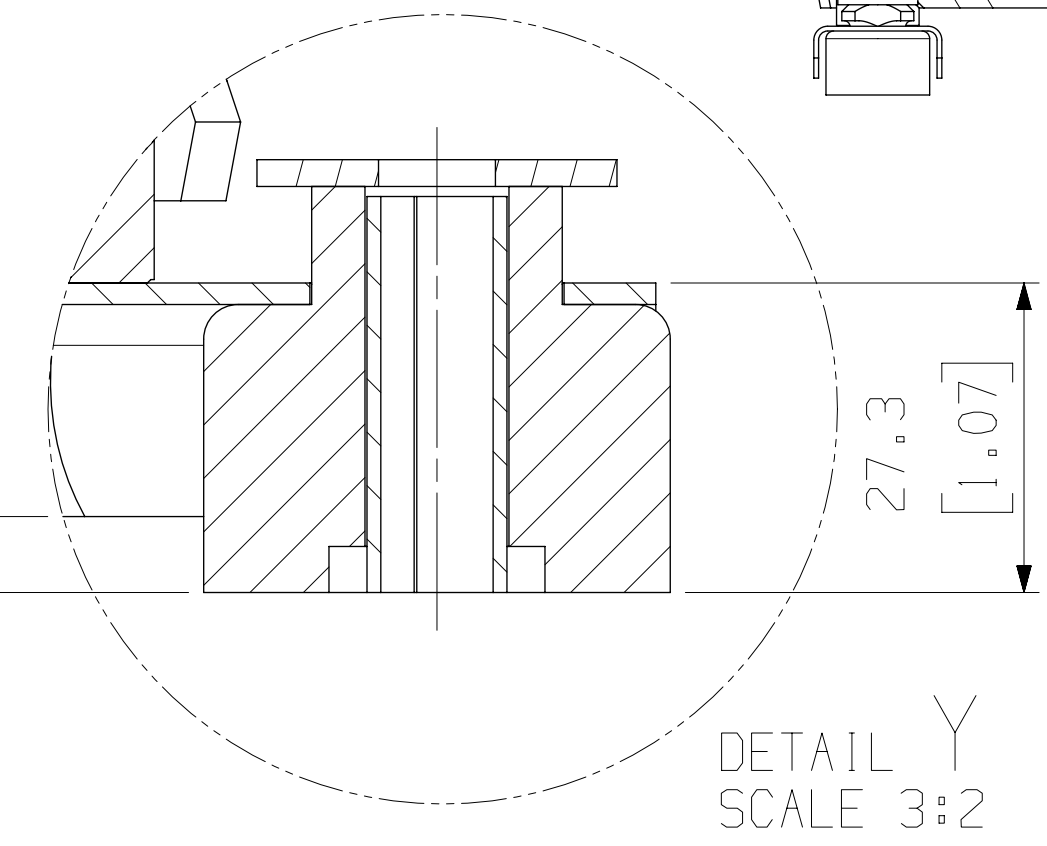
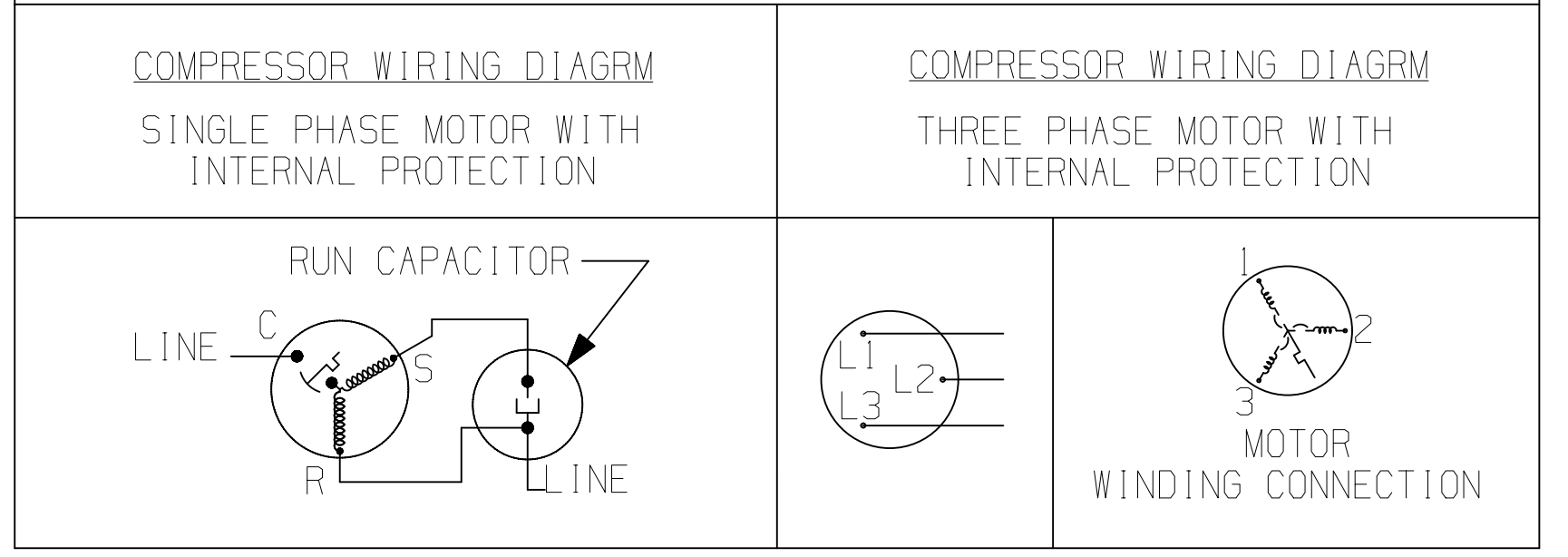


- NOTES:
- ALL TOLERANCE ±1.5 [0.06] UNLESS OTHERWISE SPECIFIED.
 - DUE TO ACCUMULATED ASSEMBLY TOLERANCES THE LISTED COMPONENTS MAY VARY FROM THE MOUNTING HOLES AS SHOWN BELOW:
 - ALL FITTINGS: ±4.6 [0.18]
 - MOUNTING KIT.
 - TUBE ENDS MUST BE PLUGGED.

GROMMET DUROMETER	6 FOOT KIT
35-45	527-0150-00



USE COPPER CONDUCTORS ONLY. USE MINIMUM 75° C WIRE FOR AMPACITY DETERMINATION. INTERNAL MOTOR PROTECTION - ALLOW TIME FOR RESET. OVERCURRENT PROTECTION DEVICE RATING AND TYPE MUST BE IN ACCORDANCE WITH REGULATORY AGENCY END PRODUCT APPROVALS - SEE SYSTEM NAMEPLATE. CRANKCASE HEATER, WHEN APPLIED, MUST BE CONNECTED ONLY TO ITS RATED VOLTAGE. TO CORRECT IMPROPER ROTATION OF THREE PHASE MODELS, SWITCH ANY TWO SUPPLY LINES. REFER TO THE APPLICABLE SYSTEM WIRING DIAGRAM.



INTERPRET PER ASME Y14.5M-1994 AND EMERSON DESIGN STANDARDS DS2002

DO NOT SCALE DRAWING

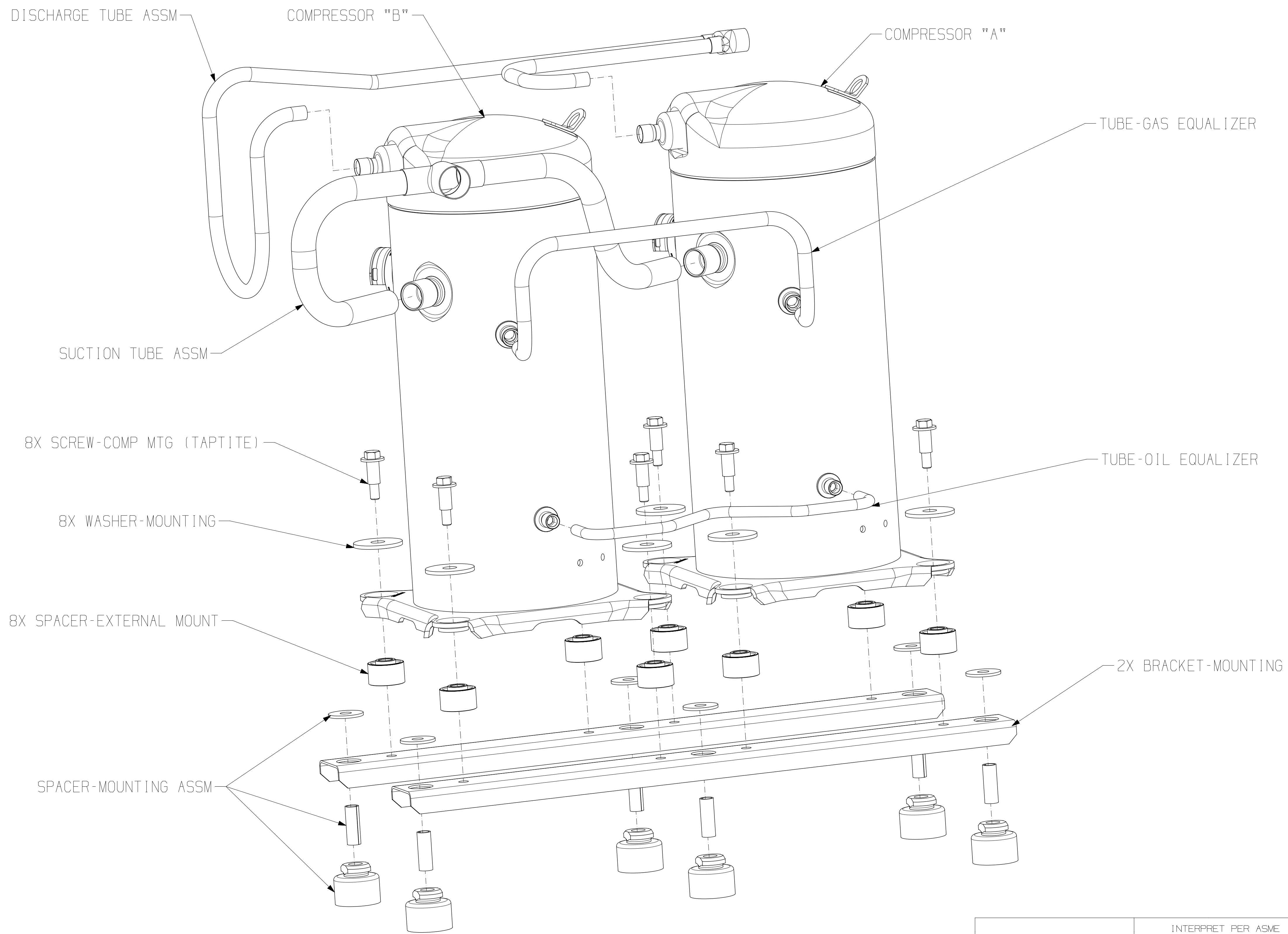
CRITICAL PRODUCT CHARACTERISTICS

UNLESS OTHERWISE SPECIFIED DIMENSIONS ARE MILLIMETER OR (1 INCH)

TOLERANCES:

- 1-PLACE: N/A
- 2-PLACE: N/A
- ANGULAR: N/A

ECN315699	0	RELEASED	09-29-21	LKP	PBM
ENG NOTICE NO.	REV. NO.	REVISIONS	DATE	BY	CHKD
CONFIDENTIALITY NOTICE					
40	THIS DRAWING AND INFORMATION CONTAINED HEREIN ARE THE EXCLUSIVE PROPERTY OF EMERSON CLIMATE TECHNOLOGIES, INC AND/OR ITS AFFILIATES (COLLECTIVELY "EMERSON") AND SHALL BE RETURNED UPON DEMAND AND SHALL NOT BE REPRODUCED IN WHOLE OR IN PART, DISCLOSED TO ANYONE ELSE OR USED, WITHOUT THE WRITTEN CONSENT OF EMERSON.				
MATERIAL SPECIFICATION		DRAWN BY	SUPERSEDES DWG NO / REV NO	REV NO	
N/A		LKP	497-2869-00 /	006	
DATE		SCALE	DATE FORMAT:	MM-DD-YY	
09-29-21		1:3	MM-DD-YY		
TITLE			DRAWING NUMBER	SHEET 1 OF 2 DWG	
REF DWG-WELD COMP ASSM			497-3854-00	4	
			SIZE		



INTERPRET PER ASME
Y14.5M-1994 AND
EMERSON DESIGN
STANDARDS DS2002

DO NOT SCALE DRAWING

CRITICAL PRODUCT CHARACTERISTICS

UNLESS OTHERWISE SPECIFIED
DIMENSIONS ARE MILLIMETER OR (1 INCH)

1-PLACE : N/A
2-PLACE : N/A
ANGULAR : N/A

ECN315699	0	RELEASED	09-29-21	LKP	PBM
ENG NOTICE NO.	REV. NO.	REVISIONS	DATE	BY	CHKD
CONFIDENTIALITY NOTICE					
40	THIS DRAWING AND INFORMATION CONTAINED HEREIN ARE THE EXCLUSIVE PROPERTY OF EMERSON CLIMATE TECHNOLOGIES, INC AND/OR ITS AFFILIATES (COLLECTIVELY "EMERSON") AND SHALL BE RETURNED UPON DEMAND AND SHALL NOT BE REPRODUCED IN WHOLE OR IN PART, DISCLOSED TO ANYONE ELSE OR USED, WITHOUT THE WRITTEN CONSENT OF EMERSON.				
MATERIAL SPECIFICATION		DRAWN BY	SUPERSEDES DWG NO / REV NO	DATE FORMAT:	
N/A		LKP	497-2869-00 / 006	MM-DD-YY	
		DATE	SCALE	DATE	
		09-29-21	1:2	MM-DD-YY	
TITLE			DRAWING NUMBER	SHEET 2 OF 2 DWG	
REF DWG-WELD COMP ASSM			497-3854-00	4	
			SIZE		

© COPYRIGHT EMERSON - CONFIDENTIAL