

MODEL NUMBER	COMP "A"	COMP "B"
ZPT100K3E	ZP50K3E	ZP50K3E
ZPT108K3E	ZP54K3E	ZP54K3E
ZPT114K3E	ZP57K3E	ZP57K3E
ZPT144KCE	ZP72KCE	ZP72KCE
ZPT166KCE	ZP83KCE	ZP83KCE
ZPT134KCE	ZP67KCE	ZP67KCE
ZPT122KCE	ZP61KCE	ZP61KCE
ZPT152KCE	ZP76KCE	ZP76KCE
ZPT166KFE	ZP83KFE	ZP83KFE

SPECIFICATIONS	
ES NO.	DESCRIPTION
ES92-155	CONVERSION-METRIC

NOTES:

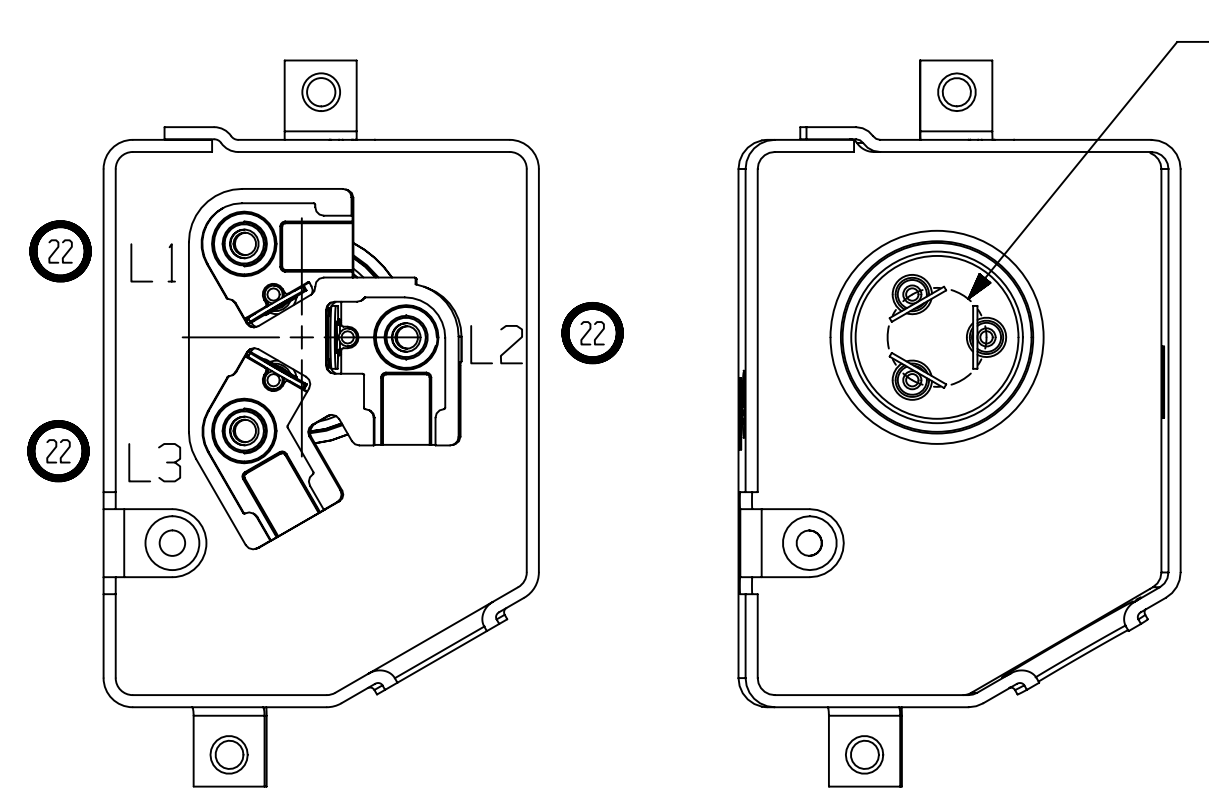
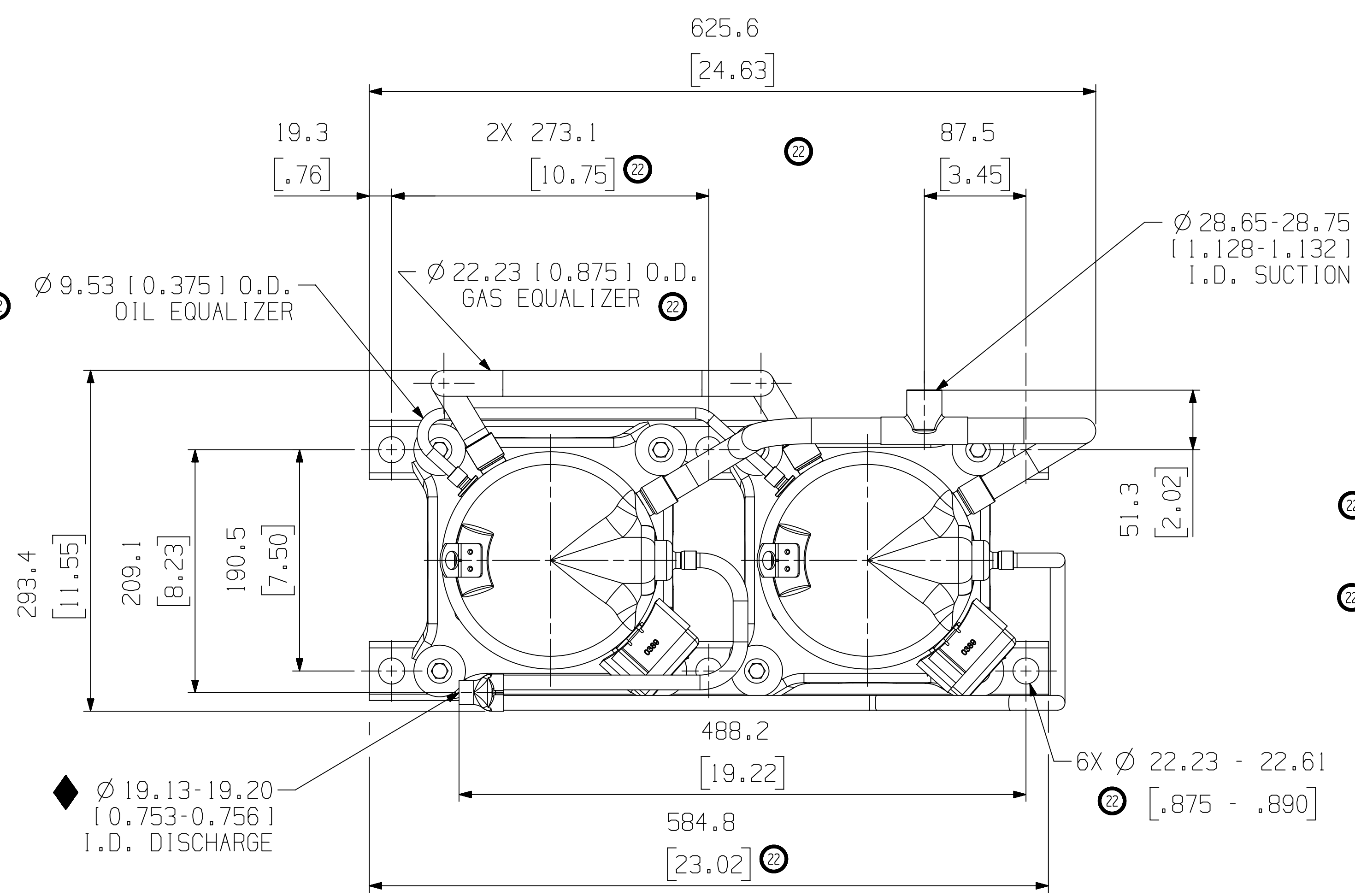
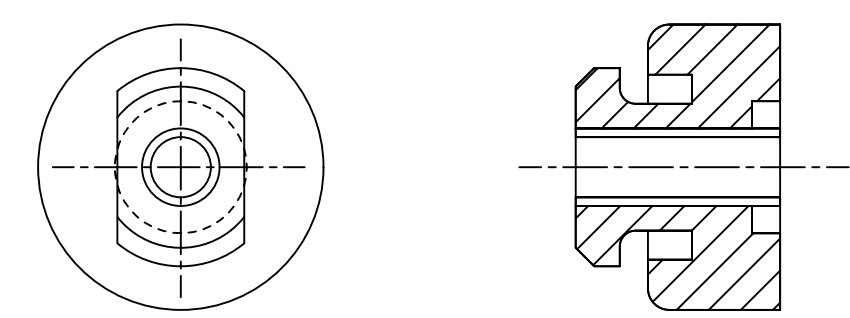
1 ALL TOLERANCE ± 1.5 [0.06] UNLESS OTHERWISE SPECIFIED.

2 MOUNTING KIT:

3. TUBE ENDS MUST BE PLUGGED.

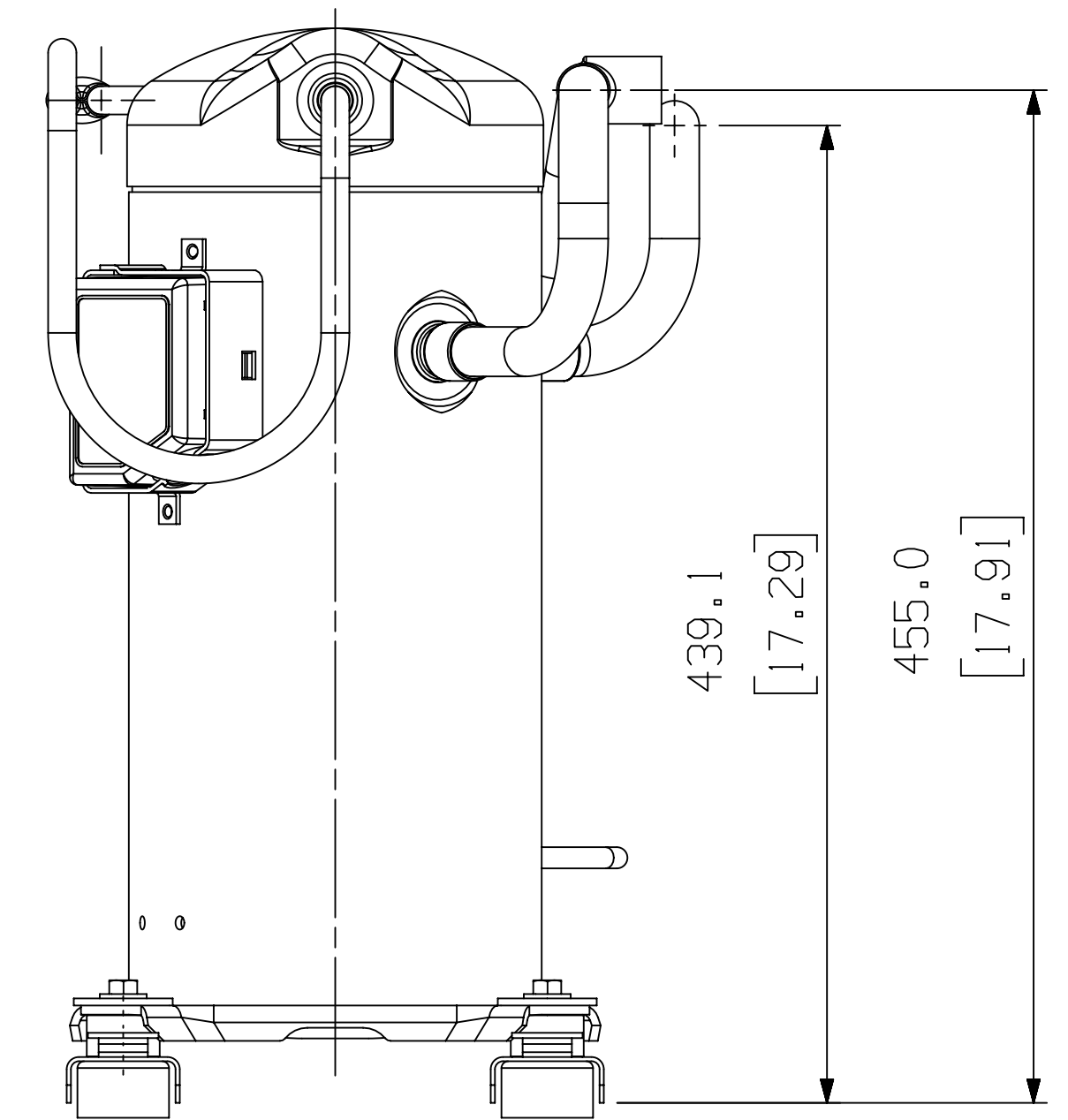
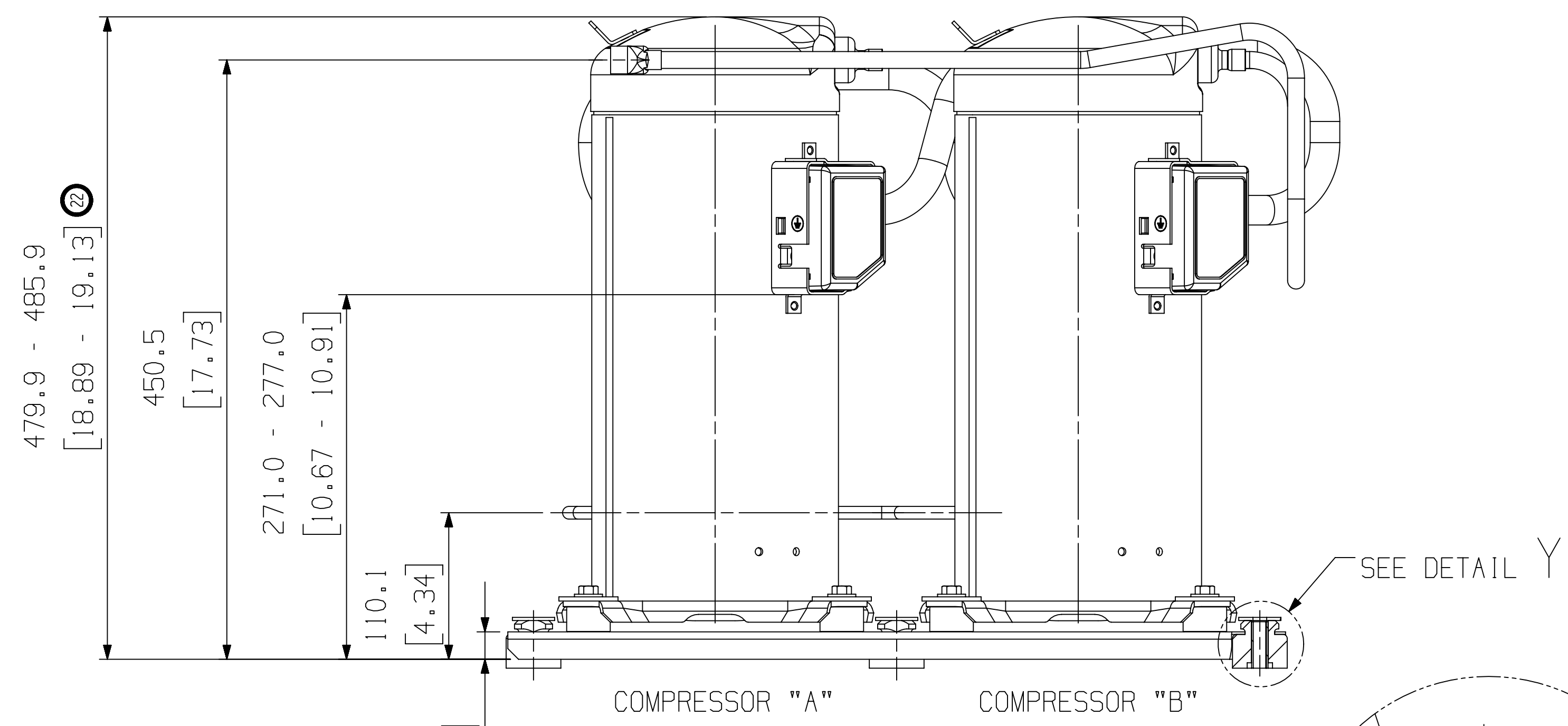
DUE TO ACCUMULATED ASSEMBLY TOLERANCES THE LISTED COMPONENTS MAY VARY FROM THE MOUNTING HOLES AS SHOWN BELOW.

GROMMET DUROMETER	6 FOOT KIT
35-45	527-0150-00

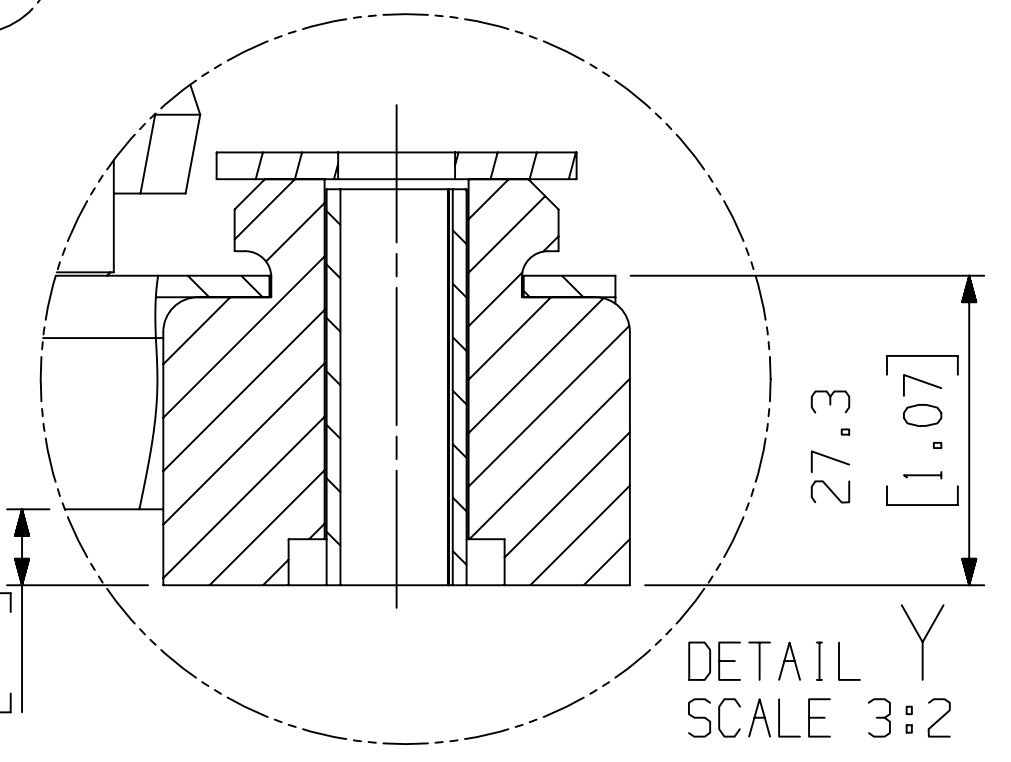
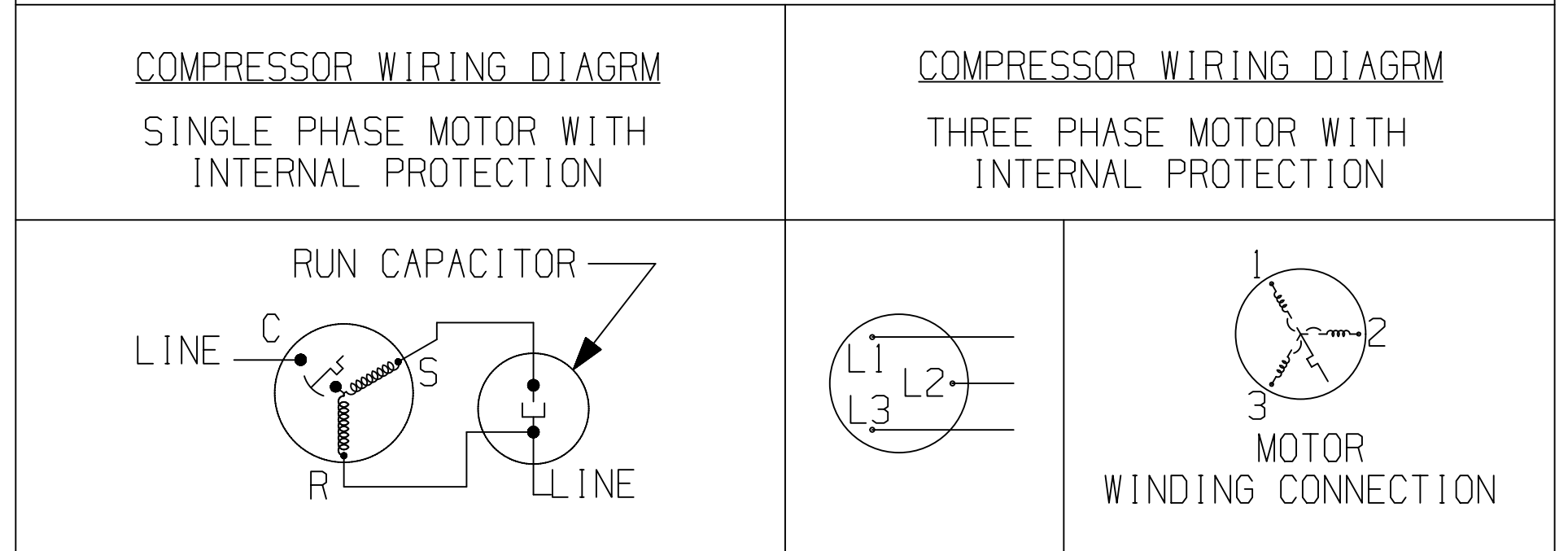


T' BOX LAYOUT OPTIONAL SCALE 3:4

T' BOX LAYOUT STANDARD SCALE 3:4



USE COPPER CONDUCTORS ONLY. USE MINIMUM 75° C WIRE FOR AMPACITY DETERMINATION. INTERNAL MOTOR PROTECTION - ALLOW TIME FOR RESET. OVERCURRENT PROTECTION DEVICE RATING AND TYPE MUST BE IN ACCORDANCE WITH REGULATORY AGENCY END PRODUCT APPROVALS - SEE SYSTEM NAMEPLATE. CRANKCASE HEATER, WHEN APPLIED, MUST BE CONNECTED ONLY TO ITS RATED VOLTAGE. TO CORRECT IMPROPER ROTATION OF THREE PHASE MODELS, SWITCH ANY TWO SUPPLY LINES. REFER TO THE APPLICABLE SYSTEM WIRING DIAGRAM.



ECN	REV	DESCRIPTION	DATE	BY	CHKD
ECN307606	23	REINSTATE ZPT100/108/114K3E	10-17-19	TLD	LLB
ECN307606	22	OBSOLETE ZPT100/108/114K3E MODELS	08-22-19	LKP	PBM
ECN306666	21	REDRAWN AND ADD ZPT166KFE-TFD	05-02-18	SZ	ZH
32-1105-011	0	RELEASED	11-03-05	TM	EC

EMERSON

Copeland™

INTERPRET PER ASME Y14.5M-1994 AND EMERSON DESIGN STANDARDS DS2002

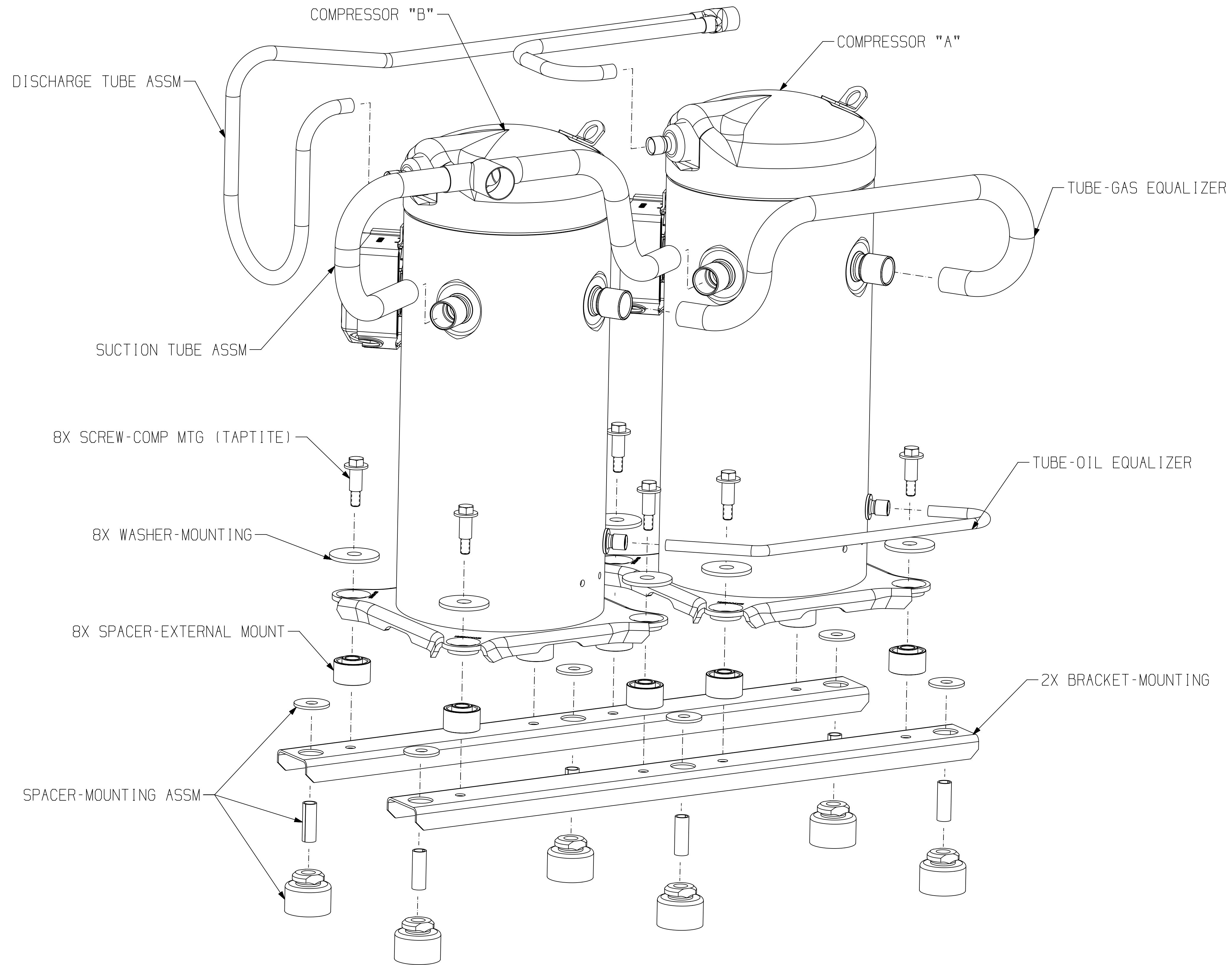
DO NOT SCALE DRAWING

CRITICAL PRODUCT CHARACTERISTICS

UNLESS OTHERWISE SPECIFIED DIMENSIONS ARE MILLIMETER OR () INCH

TOLERANCES:
1-PLACE: N/A
2-PLACE: N/A
ANGULAR: N/A

ENG NOTICE NO.	REV. NO.	REVISIONS	DATE	BY	CHKD
0		CONFIDENTIALITY NOTICE			
THIS DRAWING AND INFORMATION CONTAINED HEREIN ARE THE EXCLUSIVE PROPERTY OF EMERSON CLIMATE TECHNOLOGIES, INC AND/OR ITS AFFILIATES (COLLECTIVELY "EMERSON") AND SHALL BE RETURNED UPON DEMAND AND SHALL NOT BE REPRODUCED IN WHOLE OR IN PART, DISCLOSED TO ANYONE ELSE OR USED, WITHOUT THE WRITTEN CONSENT OF EMERSON.					
MATERIAL SPECIFICATION		DATE	SCALE	DATE	FORM
N/A		04-01-16	1:1	MM-DD-YY	
TITLE		DRAWING NUMBER	SHEET 1 OF 2 DWG		
REF DWG-WELD COMP ASSM		497-2860-00	4 SIZE		



ECN307606	23	SEE SHEET 1	10-17-19	TLD	LLB
ECN307606	22	ADDED SHEET 2	08-22-19	LKP	PBM
32-1105-011	0	RELEASED	11-03-05	TM	EC

ENG NOTICE NO.	REV. NO.	REVISIONS	DATE	BY	CHKD
CONFIDENTIALITY NOTICE					
THIS DRAWING AND INFORMATION CONTAINED HEREIN ARE THE EXCLUSIVE PROPERTY OF EMERSON CLIMATE TECHNOLOGIES, INC AND/OR ITS AFFILIATES (COLLECTIVELY "EMERSON") AND SHALL BE RETURNED UPON DEMAND AND SHALL NOT BE REPRODUCED IN WHOLE OR IN PART, DISCLOSED TO ANYONE ELSE OR USED, WITHOUT THE WRITTEN CONSENT OF EMERSON.					
MATERIAL SPECIFICATION		DATE	SUPERSEDES DWG NO / REV NO	DATE FORMAT: MM-DD-YY	
N/A		04-01-16	497-2860-00 / 021	SCALE	1:1
TITLE			DRAWING NUMBER	SHEET 2 OF 2 DWG	
REF DWG-WELD COMP ASSM			497-2860-00	4 SIZE	

EMERSON
Copeland

INTERPRET PER ASME Y14.5M-1994 AND EMERSON DESIGN STANDARDS DS2002

DO NOT SCALE DRAWING

CRITICAL PRODUCT CHARACTERISTICS

UNLESS OTHERWISE SPECIFIED DIMENSIONS ARE MILLIMETER OR (INCH)

TOLERANCES:
1-PLACE ± N/A
2-PLACE ± N/A
ANGULAR ± N/A