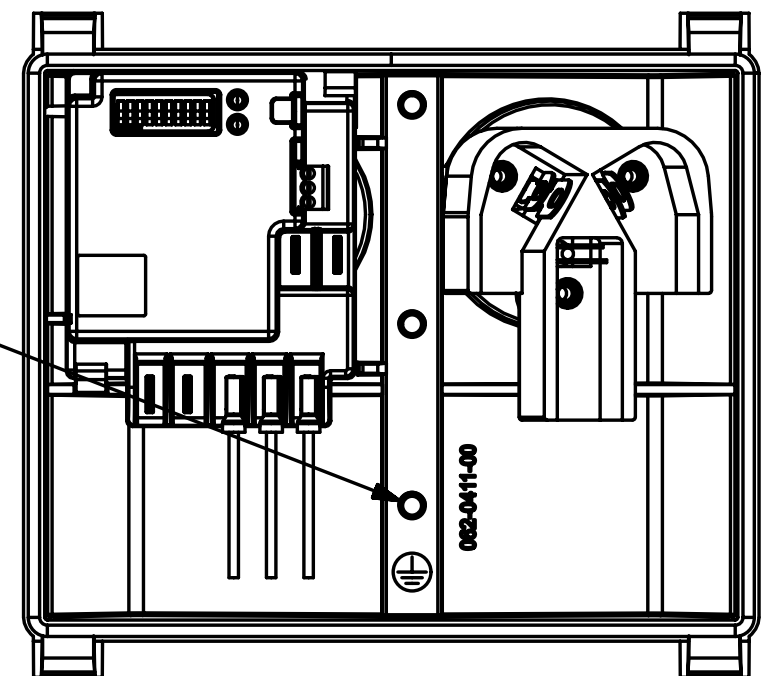
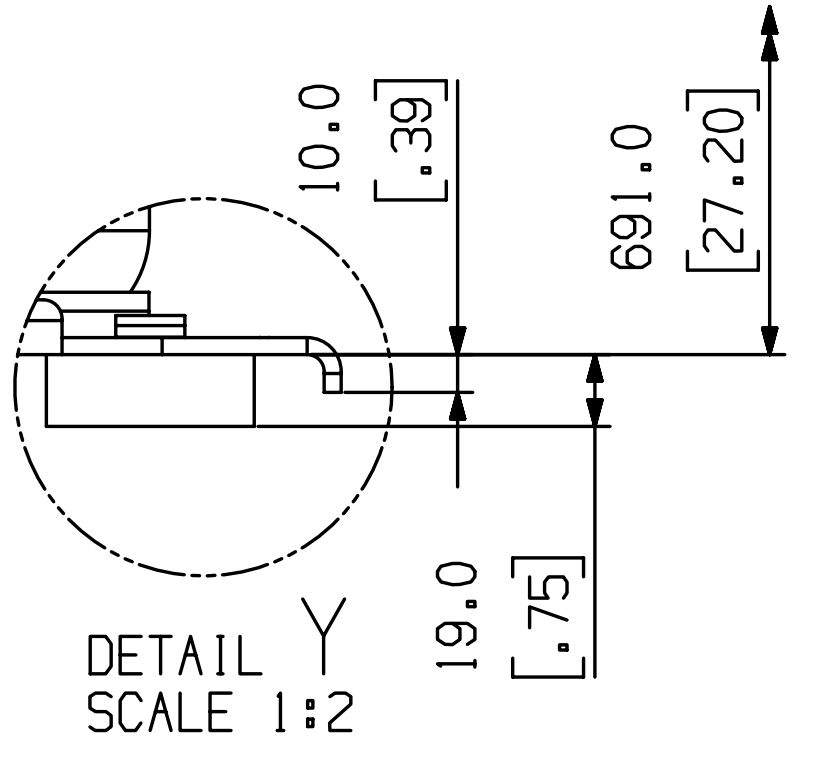
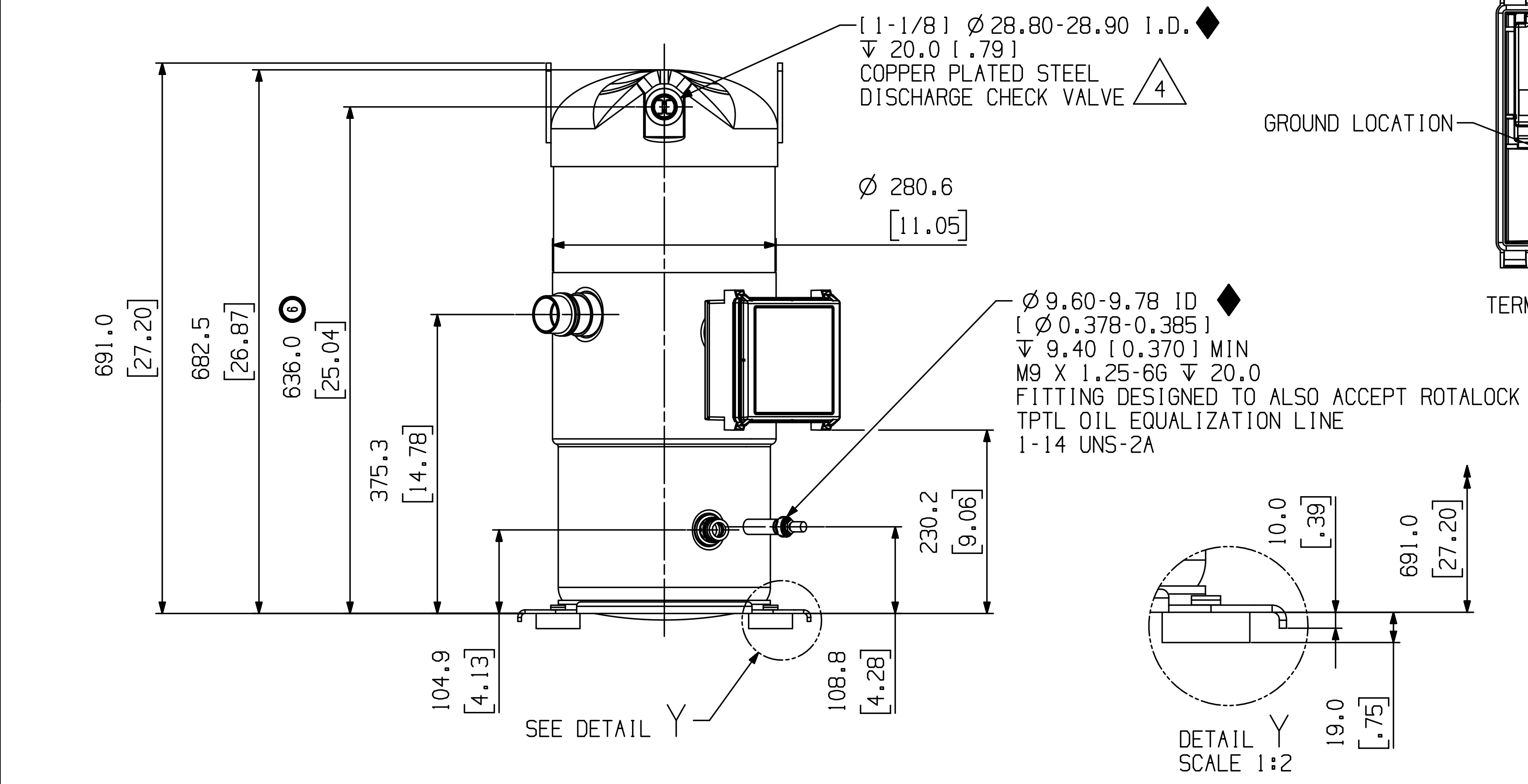
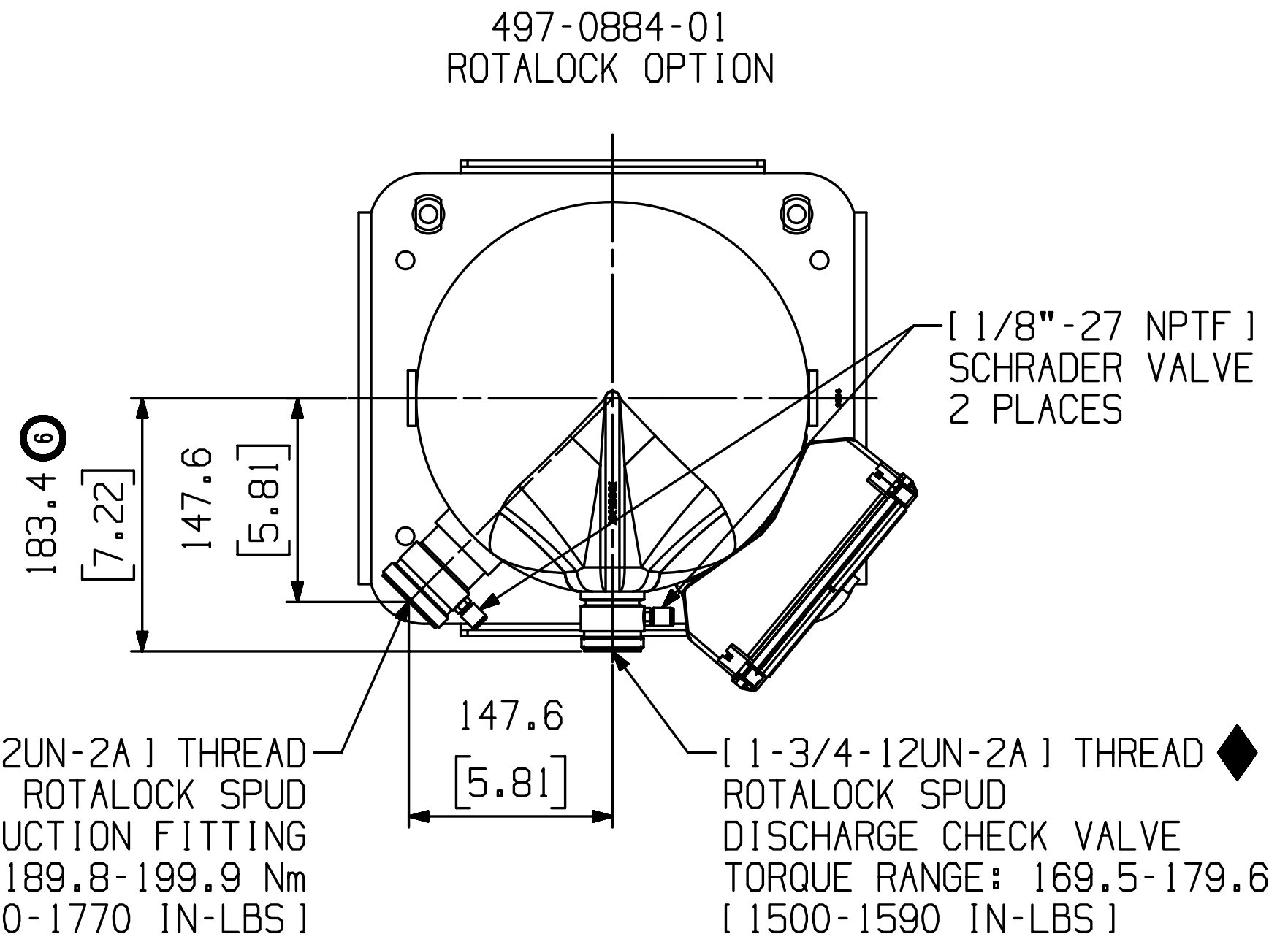
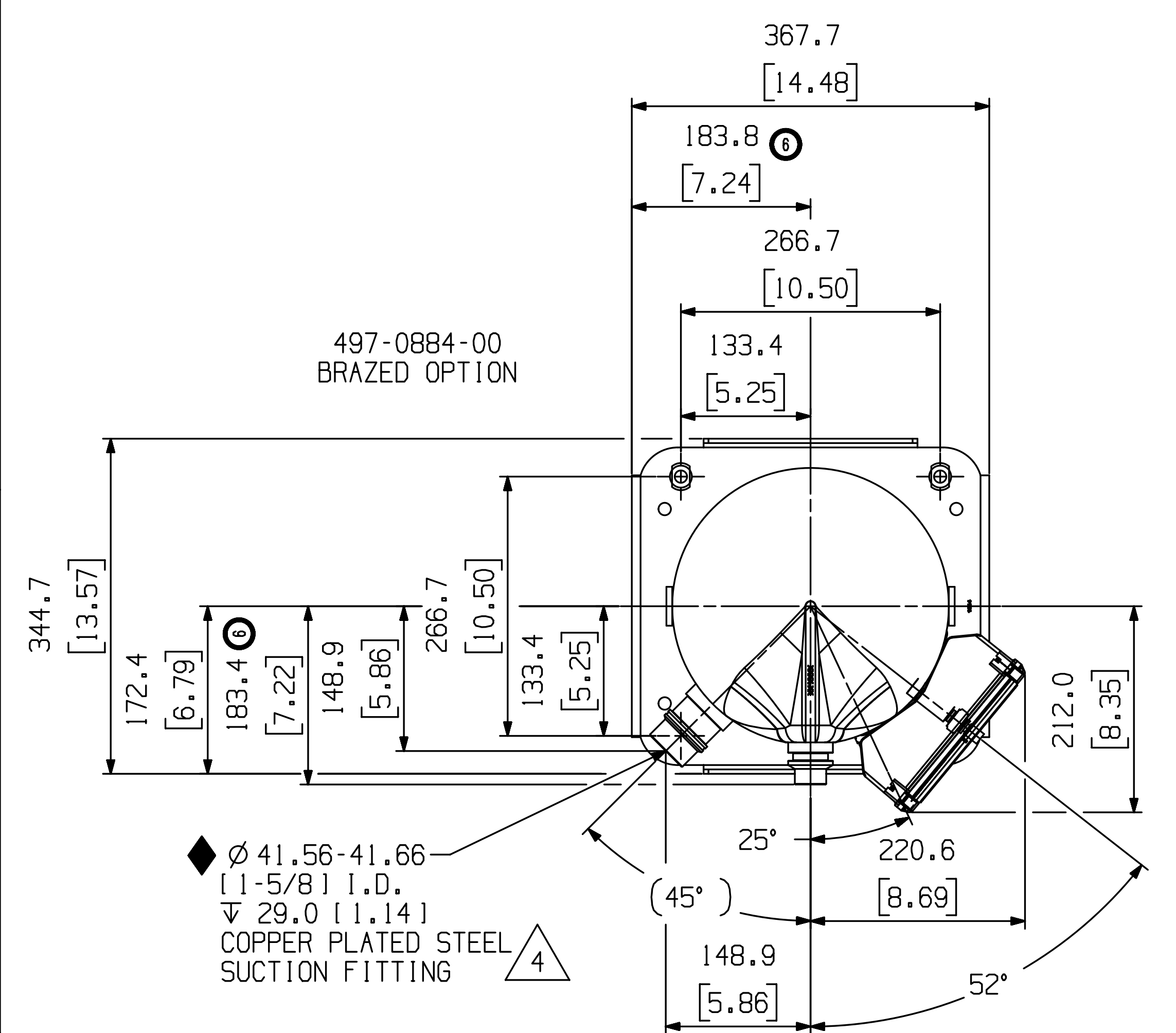


PART NUMBER	MODEL NUMBER	CUSTOMER CONNECTION
497-0884-00	ZP236/296	BRAZED
497-0884-01	ZP236/296	ROTALOCK

SPECIFICATIONS	
ES NO.	DESCRIPTION
ES92-155	CONVERSION-METRIC
ES81-340	TORQUE SPEC



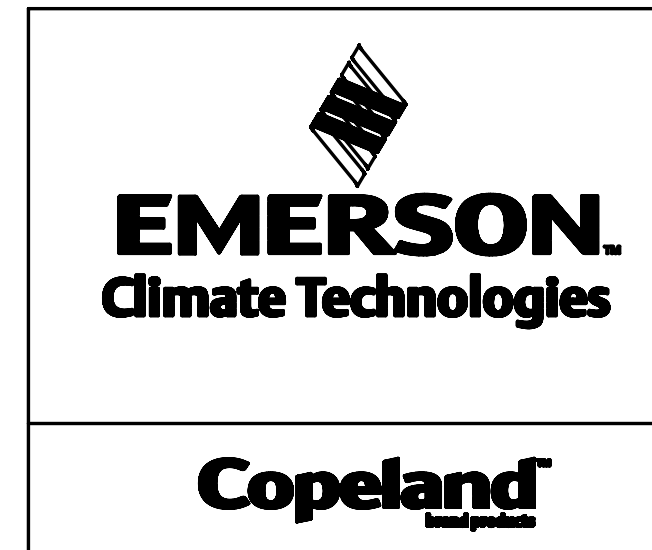
TERMINAL BOX STANDARD LAYOUT
SCALE 1:2

- NOTES:
- ALL TOLERANCES ± 1.5 [0.06] UNLESS OTHERWISE SPECIFIED.
 - DUE TO ACCUMULATED ASSEMBLY TOLERANCES THE LISTED COMPONENTS MAY VARY FROM THE MOUNTING HOLES AS TABULATED:
 - ALL FITTINGS: ± 3.0 [0.12]
 - MOUNTING KIT: 527-0175-02
 - TUBE ENDS MUST BE PLUGGED.
 - 0.05 [0.002] MIN. THICK COPPER PLATED STEEL FITTING.

ALERT CODE (RED / CODIGO DE ALERTA/ROJO)	TYPE / TIPO	EVENT / EVENTO	DIP SWITCHES / INTERRUPTORES DIP	LED'S / DIODOS LUMINOSOS	TEMP SENSORS / SENSORES DE TEMPERATURA
1	LOCKOUT / BLOQUEADO	LOSS OF FUNCTION / PERDIDA DE FUNCION			JUMPER / CONECTOR DE PUENTE
2	TRIP / DISPARO	MOTOR HIGH TEMPERATURE / TEMPERATURA DEL MOTOR ELEVADA			COMMUNICATION PORT / PUERTO DE COMUNICACION
3	LOCKOUT/TRIP / BLOQUEADO / DISPARO	OPEN / SHORT MOTOR THERMISTOR / TERMISTOR DEL MOTOR EN CIRCUITO ABIERTO O CORTOCIRCUITO			
4	LOCKOUT / BLOQUEADO	SHORT CYCLING / CICLOS CORTOS			
5	LOCKOUT/TRIP / BLOQUEADO / DISPARO	SCROLL HIGH TEMPERATURE / TEMPERATURA DEL SCROLL ELEVADA			
6	N/A	FUTURE USE / USO FUTURO			
7	LOCKOUT/TRIP / BLOQUEADO / DISPARO	MISSING PHASE / PERDIDA DE FASE			
8	LOCKOUT / BLOQUEADO	REVERSE PHASE / INVERSION DE FASE			
9	TRIP / DISPARO	MODULE LOW VOLTAGE / BAJO VOLTAJE AL MODULO			
10	WARNING / PRECAUCION	FUTURE USE / USO FUTURO			

WARRANTING (GREEN / PRECAUCION (VERDE))	TYPE / TIPO	EVENT / EVENTO
1	NORMAL / NORMAL	NORMAL OPERATION / OPERACION NORMAL
2	WARNING / PRECAUCION	LOSS OF COMMUNICATION / PERDIDA DE COMUNICACION
3	WARNING / PRECAUCION	FUTURE USE / USO FUTURO
4	WARNING / PRECAUCION	SHORT CYCLING / CICLOS CORTOS
5	WARNING / PRECAUCION	OPEN / SHORT SCROLL THERMISTOR / TERMISTOR DEL SCROLL EN CIRCUITO ABIERTO O CORTOCIRCUITO
6	WARNING / PRECAUCION	FUTURE USE / USO FUTURO

DIP SWITCH / INTERRUPTOR DIP	PURPOSE / PROPOSITO	UP = 1 / ARRIBA = 0	DOWN = 0 / ABAJO = 1
1-LSB	UNIQUE ADDRESS / DIRECCION UNICA	1	0
2	RANGE 1 TO 32 / RANGO DE 1 A 32 (EXAMPLE = 12) / (EJEMPLO = 12)	1	0
3		1	0
4		1	0
5-MSB		1	0
6	BAUD RATE / FRECUENCIA DE TRANSMISION EN BAUDS	9,600	19,200
7	PARITY / PARIDAD	EVEN / PARI / NONE / NINGUNA	
8	COMMUNICATION / COMUNICACION	EN RED	INDEPENDIENTE
9	TEMP CONNECTOR CONFIGURATION / CONFIG DE CONECTOR SENSOR DE TEMPERATURA	TE*	TW*
10	SHORT CYCLE PROTECTION / PROTECCION CONTRA CICLOS CORTOS	ENABLE / ACTIVADO	DISABLE / DESACTIVADO



INTERPRET PER ASME Y14.5M-1994 AND EMERSON CLIMATE TECHNOLOGIES, INC. DESIGN STANDARDS DS2002
DO NOT SCALE DRAWING
THIRD ANGLE PROJECTION
CRITICAL PRODUCT CHARACTERISTICS
UNLESS OTHERWISE SPECIFIED DIMENSIONS ARE MILLIMETER OR (1 INCH)
TOLERANCES:
1-PLACE \pm N/A
2-PLACE \pm N/A
ANGULAR \pm 0.5

ENG NOTICE NO.	REV. NO.	REVISIONS	DATE	BY	CHKD	APPR
ECN009003	6	REDRAWN WITH CHANGES	09-17-14	PLS	LLB	KJR
ECN00249	0	RELEASED	06-04-10	JMW	LLB	KJR

CONFIDENTIALITY NOTICE			
30	THIS DRAWING AND INFORMATION CONTAINED HEREIN ARE THE EXCLUSIVE PROPERTY OF EMERSON CLIMATE TECHNOLOGIES, INC. AND SHALL BE RETURNED UPON DEMAND AND SHALL NOT BE REPRODUCED IN WHOLE OR IN PART, DISCLOSED TO ANYONE ELSE OR USED, WITHOUT THE WRITTEN CONSENT OF EMERSON CLIMATE TECHNOLOGIES, INC.		
MATERIAL SPECIFICATION	N/A	DRAWN BY	SUPERSEDES DWG. NO. / REV. NO.
		PLS	497-0884-00/005
		DATE	SCALE
		09-18-14	1:4
TITLE	DATE FORMAT:	DRAWING NUMBER	SHEET 1 OF 1
REF DWG - WELD COMP ASSM	MM-DD-YY	497-0884-00	4
			SIZE