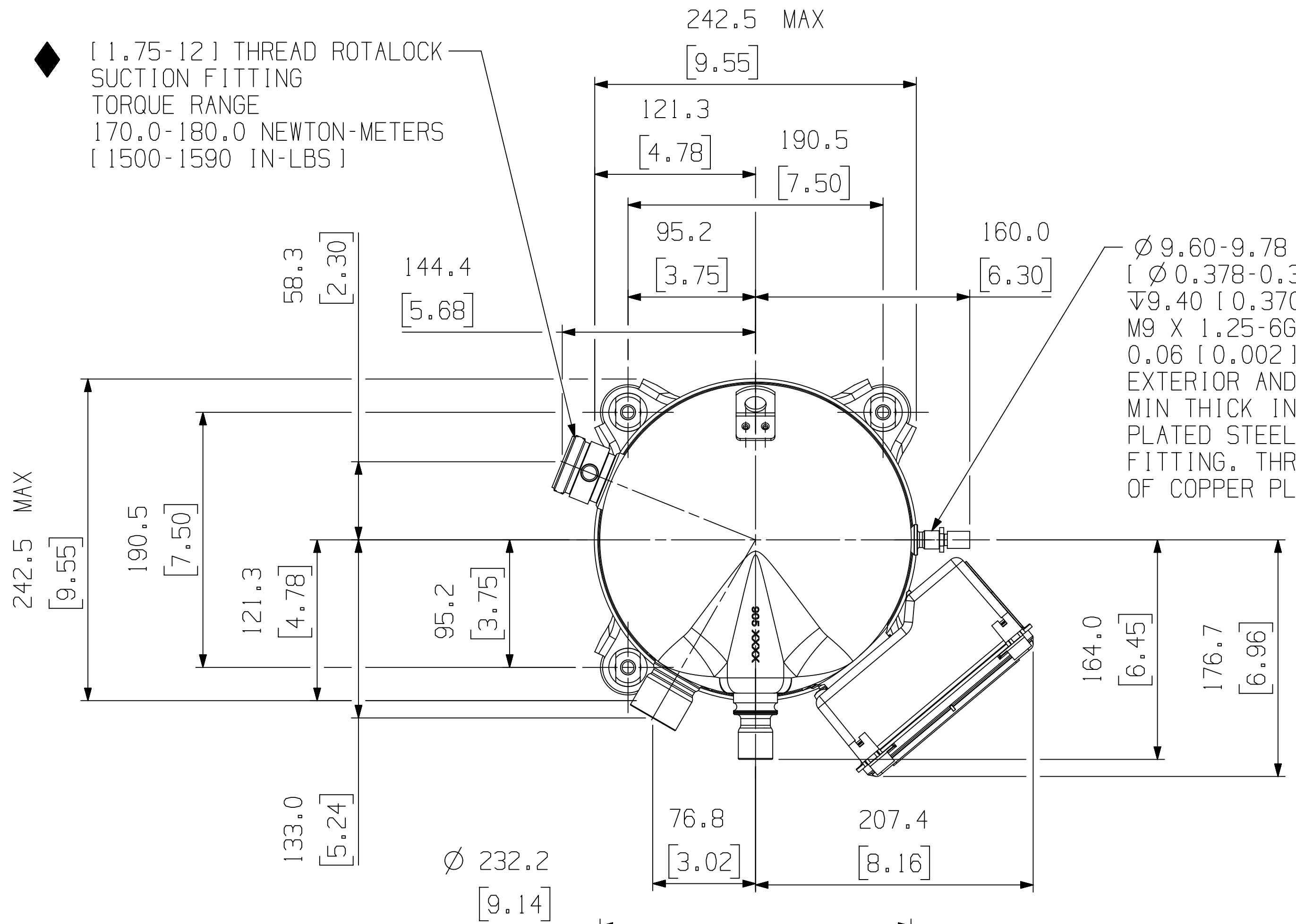


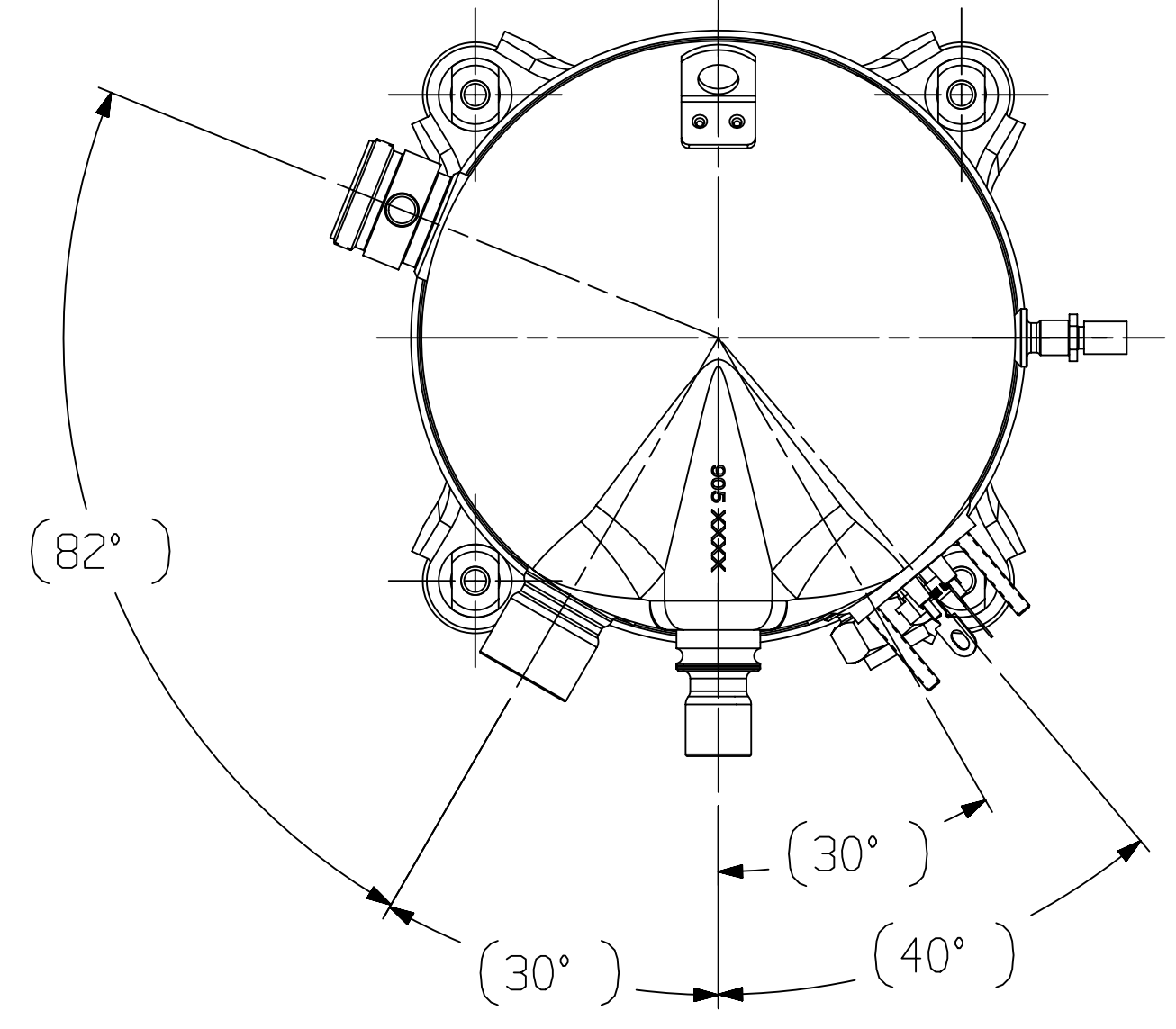
MODEL NUMBER
ZP154KCE
ZP182KCE

SPECIFICATIONS	
ES NO.	DESCRIPTION
ES92-155	CONVERSION-METRIC
ES81-340	TORQUE SPEC

◆ [1.75-12] THREAD ROTALOCK SUCTION FITTING
TORQUE RANGE
170.0-180.0 NEWTON-METERS
[1500-1590 IN-LBS]

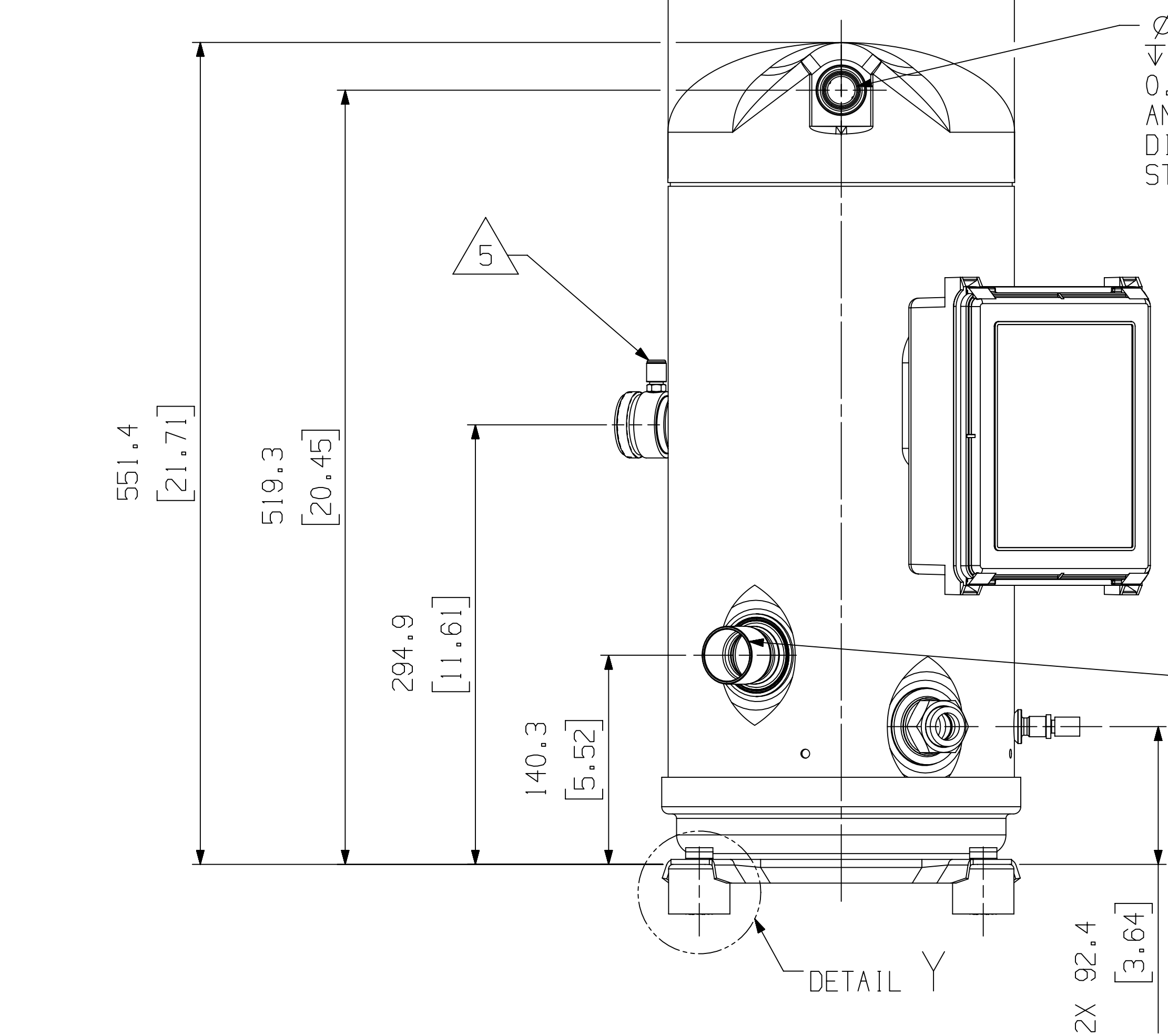


◆ Ø 9.60-9.78 ID
[Ø 0.378-0.385]
▽ 9.40 [0.370] MIN
M9 X 1.25-6G THRU
0.06 [0.002] MIN THICK
EXTERIOR AND 0.038 [0.0015]
MIN THICK INTERIOR COPPER
PLATED STEEL OIL LEVEL
FITTING. THREADS TO BE FREE
OF COPPER PLATING.

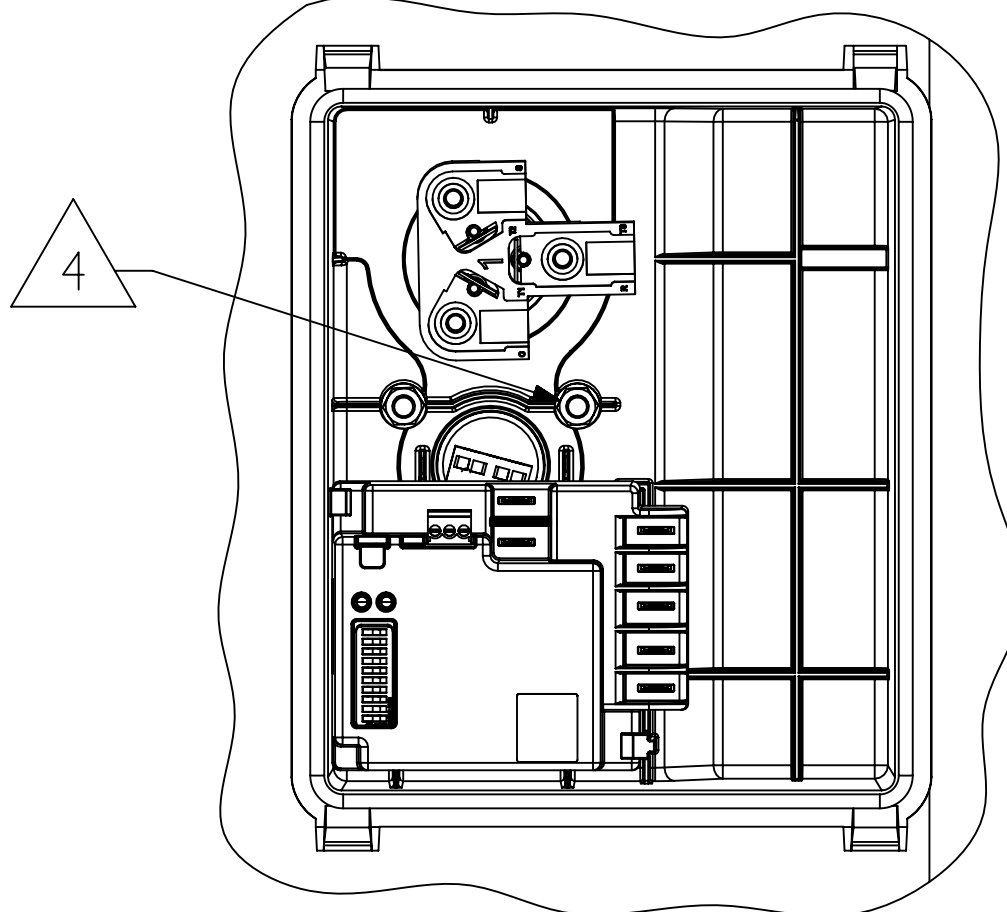


- NOTES:
- ▲ ALL TOLERANCES ± 1.5 [0.06] UNLESS OTHERWISE SPECIFIED. DUE TO ACCUMULATED ASSEMBLY TOLERANCES THE LISTED COMPONENTS MAY VARY FROM THE MOUNTING HOLES AS TABULATED.
 - ◆ SUCTION FITTING ± 3.0 [0.12]
 - ◆ DISCHARGE FITTING ± 3.0 [0.12]
 2. MOUNTING KIT: 527-0210-00
 3. TUBE ENDS MUST BE PLUGGED.
 - ▲ 4. GROUNDING SCREW AND WASHER PER BOM.
 - ▲ 5. TORQUE 23-25 NM [200-220 IN-LBS]

◆ Ø 22.30-22.42 [0.878-0.883] ID
▽ 20.0 [0.787] MIN.
0.038 [0.0015] MIN. THICK EXTERIOR
AND INTERIOR COPPER PLATED
DISCHARGE FITTING/
STEEL CHECK VALVE



◆ Ø 34.84-35.02 [1.372-1.379] ID
▽ 22.6 [0.890] MIN
0.038 [0.0015] MIN THICK EXTERIOR
AND INTERIOR COPPER PLATED
STEEL SUCTION FITTING



TERMINAL BOX LAYOUT STANDARD
SCALE 1:2

ALERT CODE (RED) (CODIGO DE ALERTA (ROJO))	TYPE / TIPO	EVENT / EVENTO
1	LOCKOUT / BLOQUEADO	LOSS OF FUNCTION / PERDIDA DE FUNCION
2	TRIP / DISPARO	MOTOR HIGH TEMPERATURE / TEMPERATURA DEL MOTOR ELEVADA
3	LOCKOUT / BLOQUEADO	OPEN / SHORT MOTOR THERMISTOR / THERMISTOR DEL MOTOR EN CORTOCIRCUITO / ABERTO
4	N/A	SHORT CYCLING / CICLOS CORTOS
5	N/A	FUTURE USE / USO FUTURO
6	LOCKOUT / BLOQUEADO / DISPARO	MISSING PHASE / PERDIDA DE FASE
7	LOCKOUT / BLOQUEADO	REVERSE PHASE / INVERSION DE FASE
8	N/A	FUTURE USE / USO FUTURO
9	TRIP / DISPARO	MODULE LOW VOLTAGE / BAJO VOLTAJE AL MODULO
10	WARNING / PRECAUCION	SHORT CYCLING / CICLOS CORTOS

WARNING (GREEN) / PRECAUCION (VERDE)	TYPE / TIPO	EVENT / EVENTO
1	NORMAL / OPERACION NORMAL	NORMAL OPERATION / OPERACION NORMAL
2	WARNING / PRECAUCION	LOSS OF COMMUNICATION / PERDIDA DE COMUNICACION
3	WARNING / PRECAUCION	FUTURE USE / USO FUTURO
4	WARNING / PRECAUCION	SHORT CYCLING / CICLOS CORTOS
5	WARNING / PRECAUCION	FUTURE USE / USO FUTURO

ECN 102966	0	RELEASED	04-13-18	SAS	JLS	KJR
------------	---	----------	----------	-----	-----	-----

15	THIS DRAWING AND INFORMATION CONTAINED HEREIN ARE THE EXCLUSIVE PROPERTY OF EMERSON CLIMATE TECHNOLOGIES, INC. AND SHALL BE RETURNED UPON DEMAND AND SHALL NOT BE REPRODUCED IN WHOLE OR IN PART DISCLOSED TO ANYONE ELSE OR USED, WITHOUT THE WRITTEN CONSENT OF EMERSON CLIMATE TECHNOLOGIES, INC.
MATERIAL SPECIFICATION	N/A
DRAWN BY	SAS
DATE	04-13-18
SCALE	3:8
DRAWING NUMBER	497-3104-00
SHEET 1 OF 1	DWG
TITLE	REF DWG-WELD COMP ASSM
DATE	04-13-18
SCALE	3:8
DRAWING NUMBER	497-3104-00
SHEET 1 OF 1	DWG

EMERSON
Climate Technologies

Copeland
brand products

INTERPRET PER ASME Y14.5M-1994 AND EMERSON CLIMATE TECHNOLOGIES, INC. DESIGN STANDARDS DS2002

DO NOT SCALE DRAWING

THIRD ANGLE PROJECTION

CRITICAL PRODUCT CHARACTERISTICS

UNLESS OTHERWISE SPECIFIED DIMENSIONS ARE MILLIMETER OR (1 INCH)

TOLERANCES:
1-PLACE ± N/A
2-PLACE ± N/A
ANGULAR ± N/A