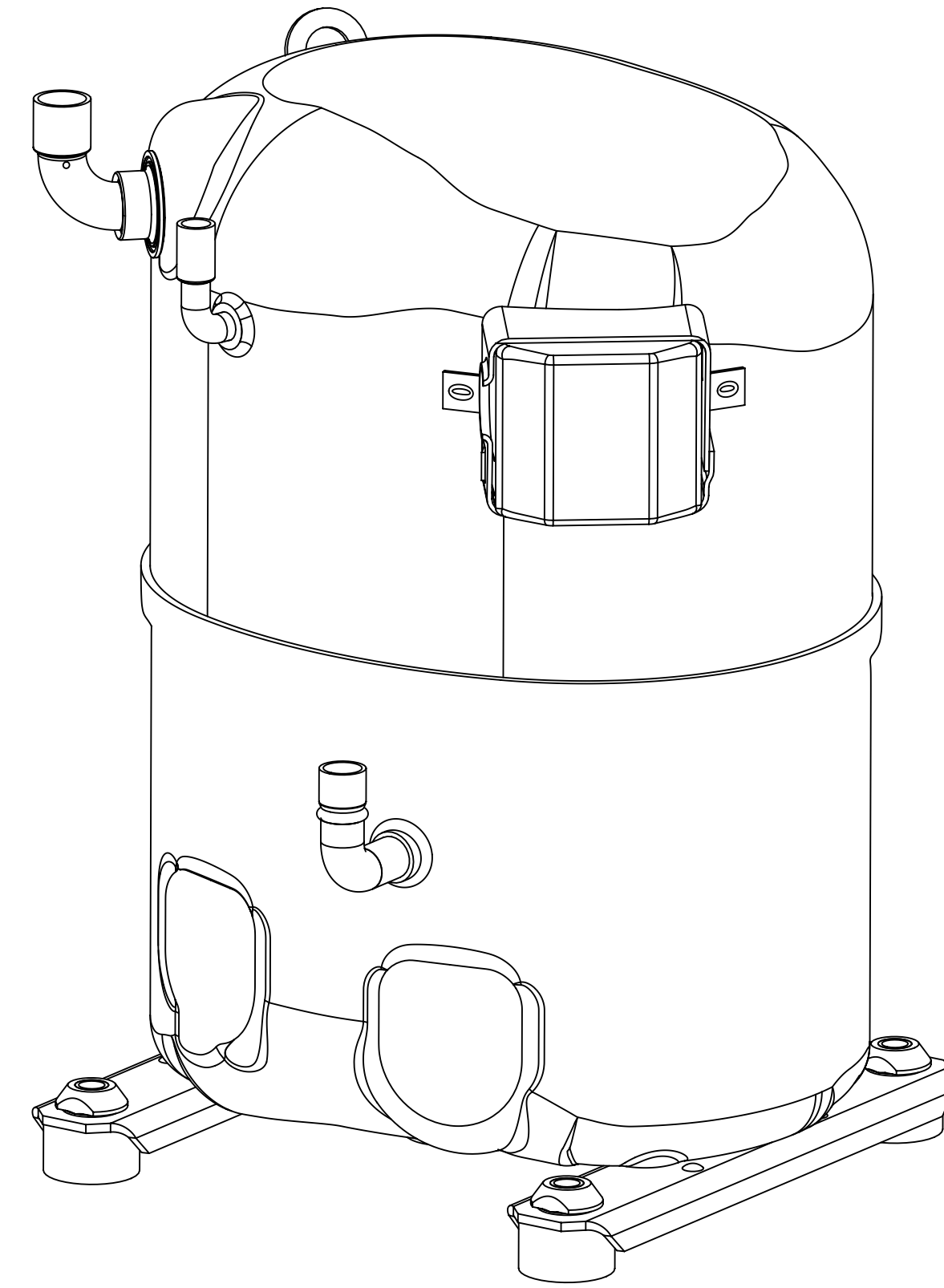


△ PART NUMBER	A	B
497-3818-00	13.655	13.296
497-3818-01	13.405	13.046
497-3818-02	13.035	12.676
497-3818-03	13.905	13.546
497-3818-04	12.905	12.546
497-3818-05	12.905	12.546
497-3818-06	13.035	12.676
497-3818-07	13.405	13.046
497-3818-08	13.655	13.296
497-3818-09	14.405	14.046
497-3818-10	14.405	14.046
497-3818-11	13.655	13.296
497-3818-12	13.405	13.046
497-3818-13	13.035	12.676
497-3818-14	13.905	13.546
497-3818-15	12.905	12.546
497-3818-16	12.905	12.546
497-3818-17	13.035	12.676
497-3818-18	13.405	13.046
497-3818-19	13.655	13.296
497-3818-20	14.405	14.046
497-3818-21	14.405	14.046



MODEL/PART CROSS REF △		
MODEL NUMBER	PART NUMBER FOR SE - 255/ -755	PART NUMBER FOR SE -256
CS20K6E-PFV		
CS20K6E-PFZ	497-3818-00	497-3818-11
CS20K6E-TF5		
⑤ CS16K6E-TF5	497-3818-01	
⑤ CS16K6E-PFZ		497-3818-12
⑤ CS13K6E-PFZ	--	
⑤ CS13K6E-TF5		
CS17K6E-PFV	--	
⑤ CS13K6E-PFV	--	497-3818-14
CS18K6E-PFJ		--
CS18K6E-PFV	497-3818-01	
CS18K6E-TF5		497-3818-12
CS14K6E-PFJ		
CS14K6E-PFV	497-3818-02	497-3818-13
CS14K6E-TF5		
⑤ CS16K6E-PFV	497-3818-03	497-3818-14
CS10K6E-PFJ	--	
CS10K6E-PFV		
CS10K6E-TF5		497-3818-15
⑤ CS12K6E-PFJ	497-3818-04	
CS12K6E-PFV		
CS12K6E-TF5		
CS10K6E-TFD	497-3818-05	497-3818-16
CS14K6E-TFD	497-3818-06	497-3818-17
CS18K6E-TFD	497-3818-07	497-3818-18
CS20K6E-TFD	497-3818-08	497-3818-19
CS24K6E-PFV		
⑤ CS24K6E-PFZ		
CS24K6E-TF5	497-3818-09	497-3818-20
CS27K6E-PFV		
CS27K6E-PFZ		
CS27K6E-TF5		
⑤ CS24K6E-TFD		497-3818-21
CS27K6E-TFD	497-3818-10	
CS27K6E-TFE		--

SPECIFICATIONS	
ES NO.	DESCRIPTION
ES22-122	PACKAGING
ES81-159	CLEANLINESS
ES81-250	IDENTIFICATION
ES92-167	REGULATORY COMPLIANCE

NOTES:

1. TOLERANCES TO BE ±0.12 UNLESS OTHERWISE SPECIFIED.
 2. TUBE ENDS MUST BE PLUGGED.
- △ FOR MODEL APPLICATION REFER TO CHART



INTERPRET PER ASME Y14.5M-1994 AND EMERSON DESIGN STANDARDS DS2002

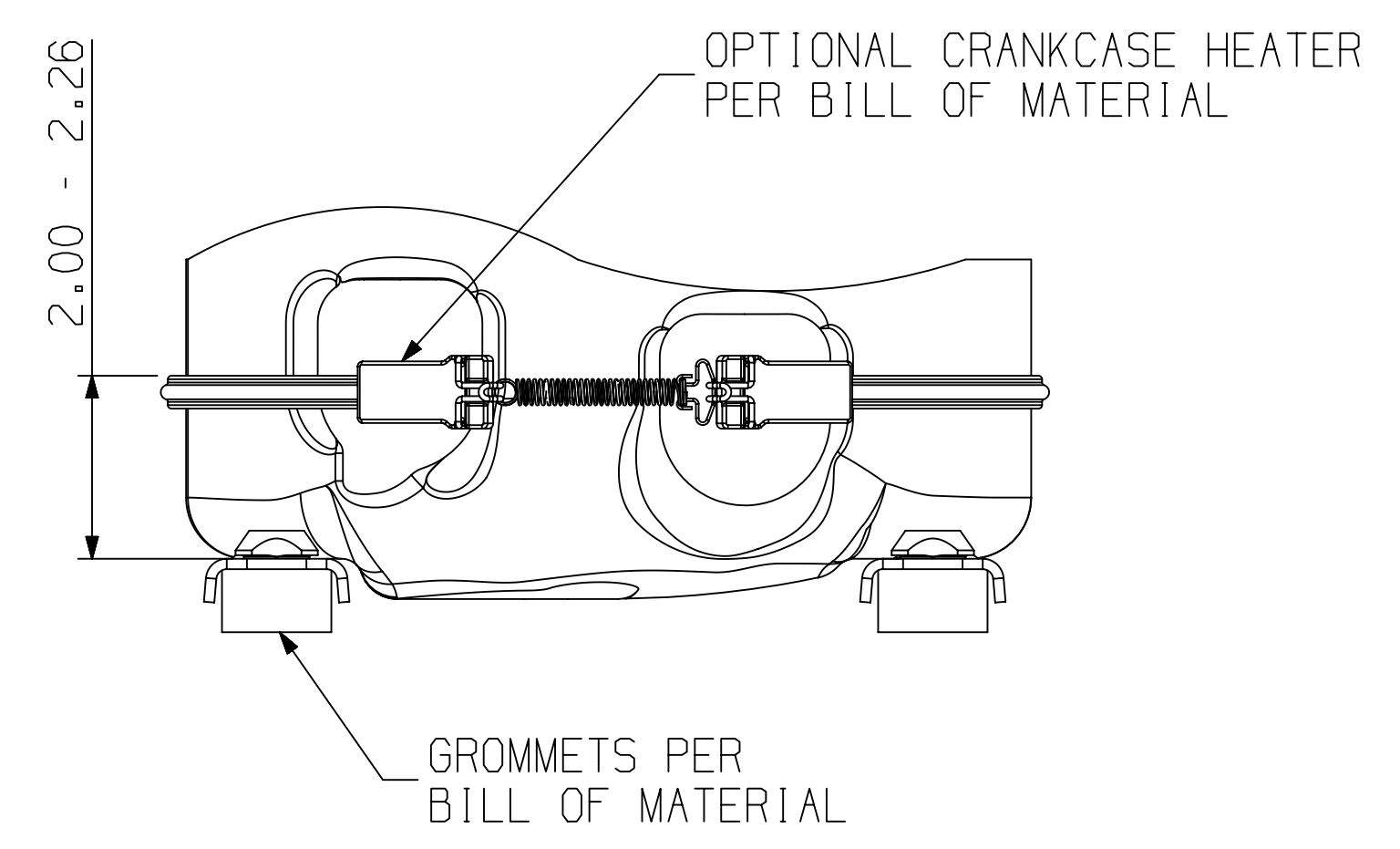
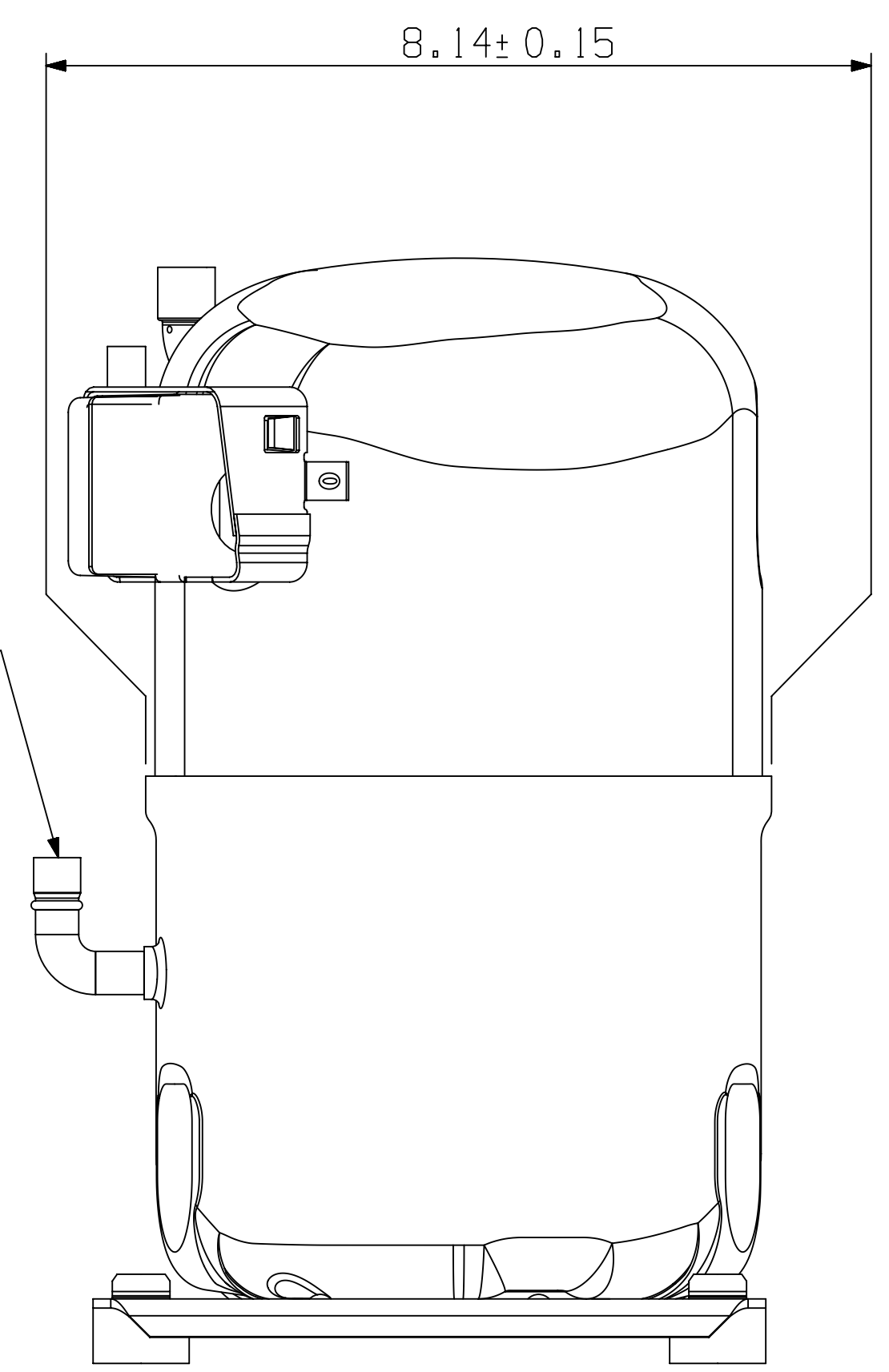
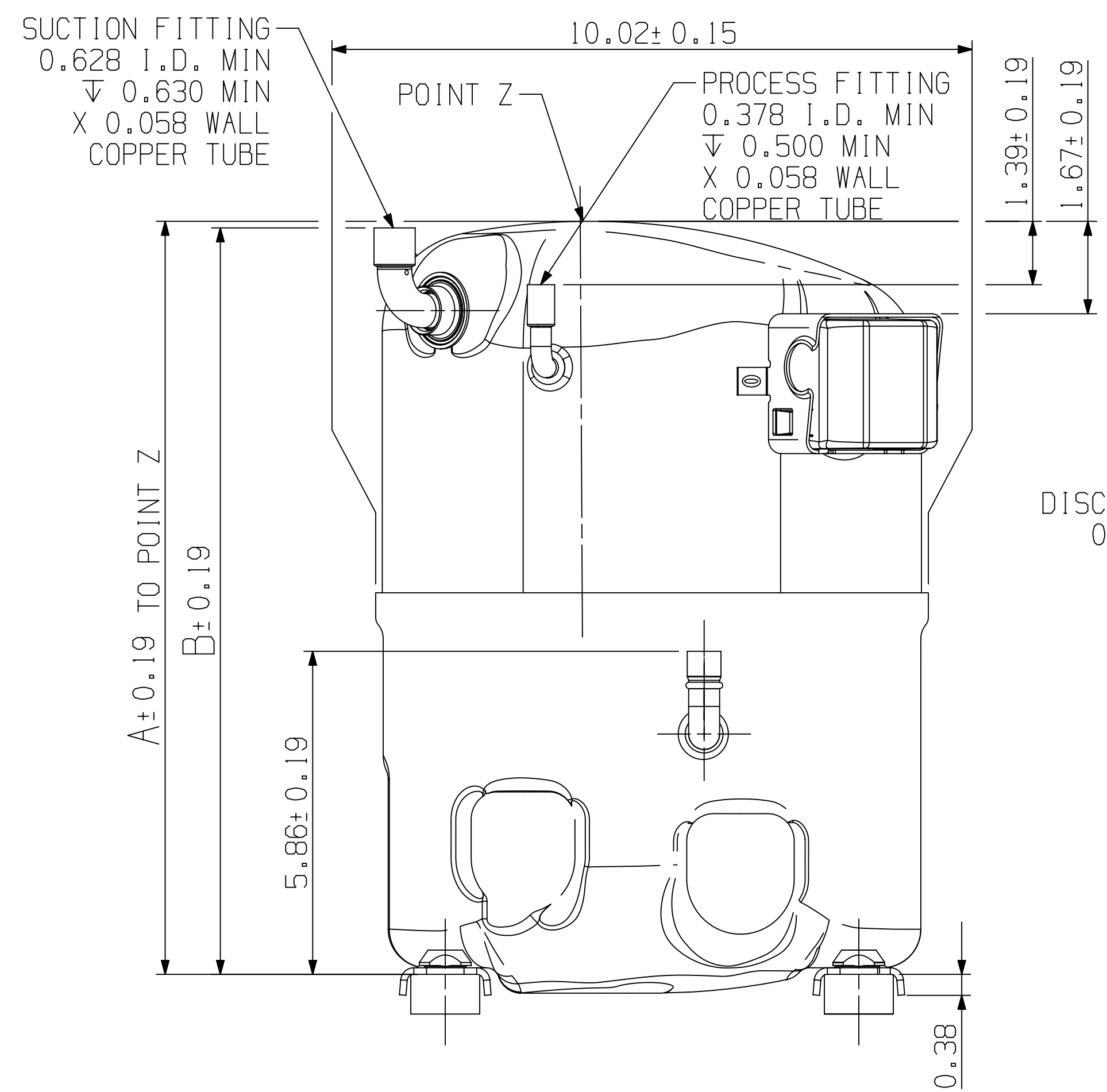
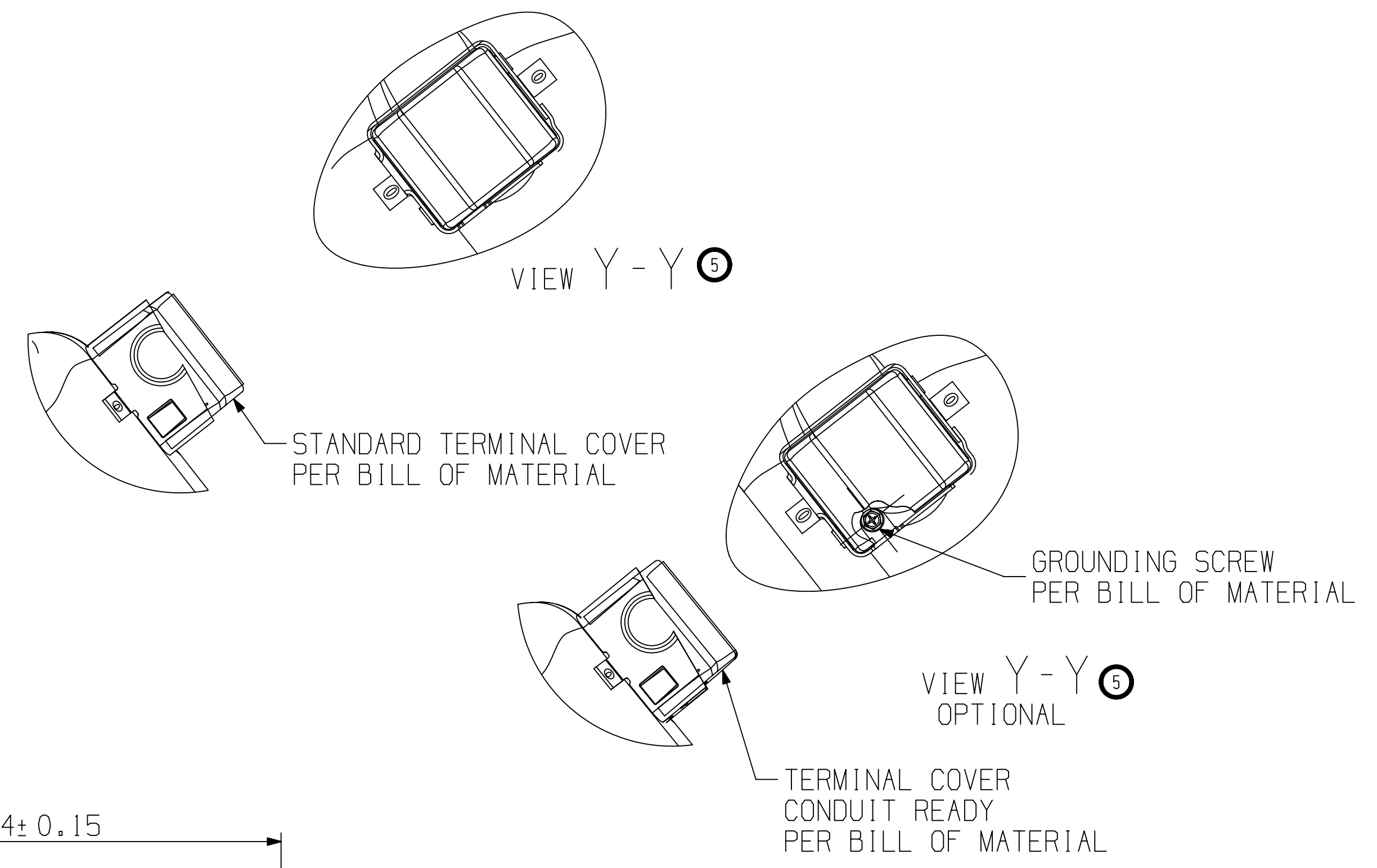
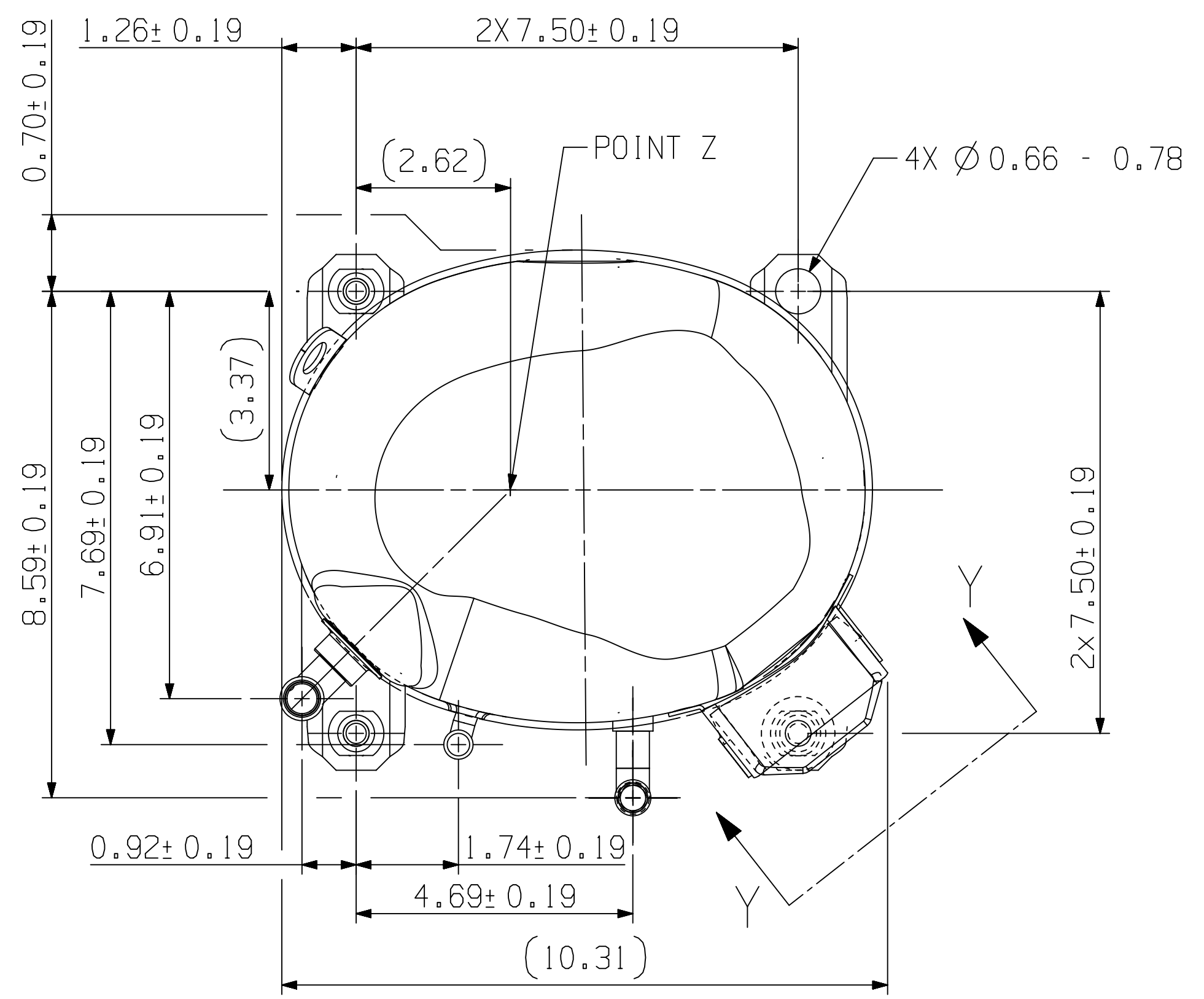
DO NOT SCALE DRAWING

CRITICAL PRODUCT CHARACTERISTICS

UNLESS OTHERWISE SPECIFIED DIMENSIONS ARE INCH OR (MILLIMETER)

TOLERANCES:
 2-PLACE ± N/A
 3-PLACE ± N/A
 ANGULAR ± N/A

ECN308624	5	REDRAWN WITH CHANGES	09-03-18	SPC	BAH
ECN003458	0	RELEASED	02-23-11	KRB	BAH
ENG NOTICE NO.	REV.NO.	REVISIONS	DATE	BY	CHKD
3		CONFIDENTIALITY NOTICE			
THIS DRAWING AND INFORMATION CONTAINED HEREIN ARE THE EXCLUSIVE PROPERTY OF EMERSON CLIMATE TECHNOLOGIES, INC AND/OR ITS AFFILIATES (COLLECTIVELY "EMERSON") AND SHALL BE RETURNED UPON DEMAND AND SHALL NOT BE REPRODUCED IN WHOLE OR IN PART, DISCLOSED TO ANYONE ELSE OR USED, WITHOUT THE WRITTEN CONSENT OF EMERSON.					
MATERIAL SPECIFICATION		DRAWN BY	SUPERSEDES DWG NO /	REV NO	
		SPC	497-3818-00 /	004	
		DATE	SCALE	DATE FORMAT:	
		09-03-18	1:1	MM-DD-YY	
TITLE			DRAWING NUMBER	SHEET 1 OF 2 DWG	
REF DWG-WELD COMP ASSM			497-3818-00	4	SIZE



INTERPRET PER ASME Y14.5M-1994 AND EMERSON DESIGN STANDARDS DS2002
DO NOT SCALE DRAWING

CRITICAL PRODUCT CHARACTERISTICS

UNLESS OTHERWISE SPECIFIED DIMENSIONS ARE INCH OR (MILLIMETER)
2-PLACE : N/A
3-PLACE : N/A
ANGULAR : N/A

ECN308624	5	REDRAWN WITH CHANGES	09-03-18	SPC	BAH
ECN003458	0	RELEASED	02-23-11	KRB	BAH
ENG NOTICE NO.	REV. NO.	REVISIONS	DATE	BY	CHKD
CONFIDENTIALITY NOTICE					
3	THIS DRAWING AND INFORMATION CONTAINED HEREIN ARE THE EXCLUSIVE PROPERTY OF EMERSON CLIMATE TECHNOLOGIES, INC AND/OR ITS AFFILIATES (COLLECTIVELY "EMERSON") AND SHALL BE RETURNED UPON DEMAND AND SHALL NOT BE REPRODUCED IN WHOLE OR IN PART, DISCLOSED TO ANYONE ELSE OR USED, WITHOUT THE WRITTEN CONSENT OF EMERSON.				
MATERIAL SPECIFICATION		DRAWN BY	SUPERSEDES DWG NO / REV NO		
		DATE	SCALE	DATE FORMAT: MM-DD-YY	
		09-03-18	1:1		
TITLE			DRAWING NUMBER	SHEET 2 OF 2 DWG	
REF DWG-WELDED COMP ASSM			497-3818-00	4 SIZE	