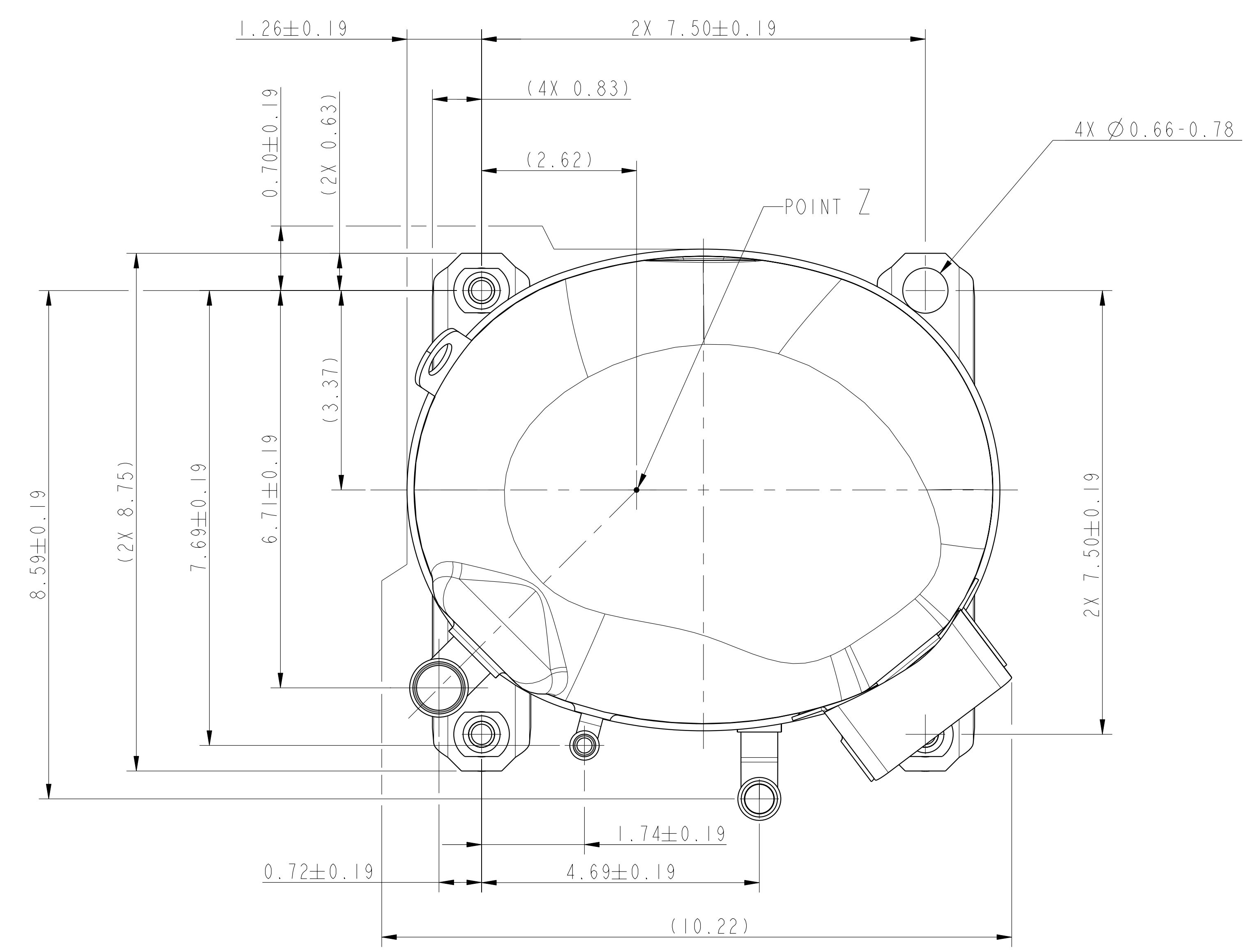


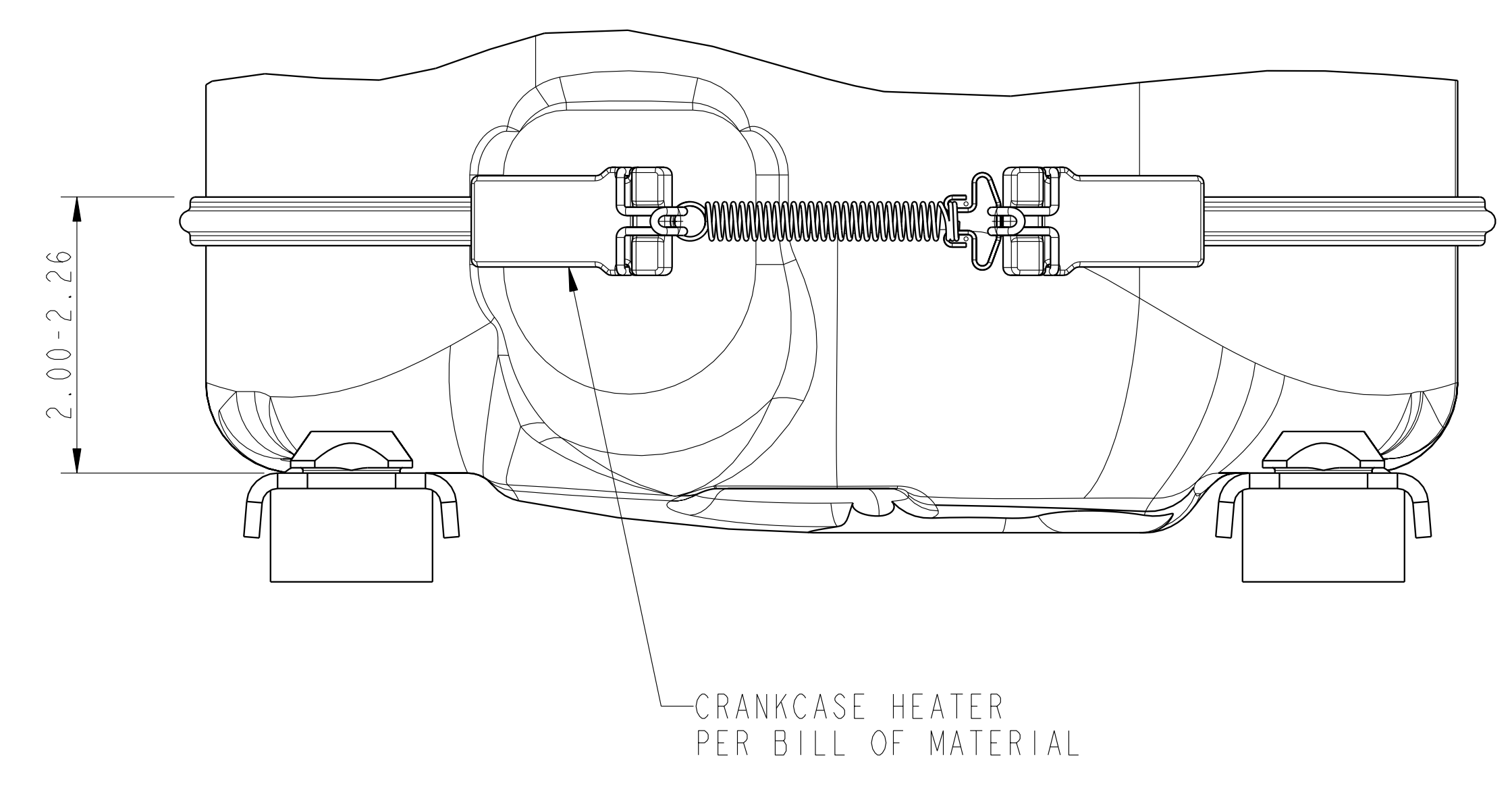
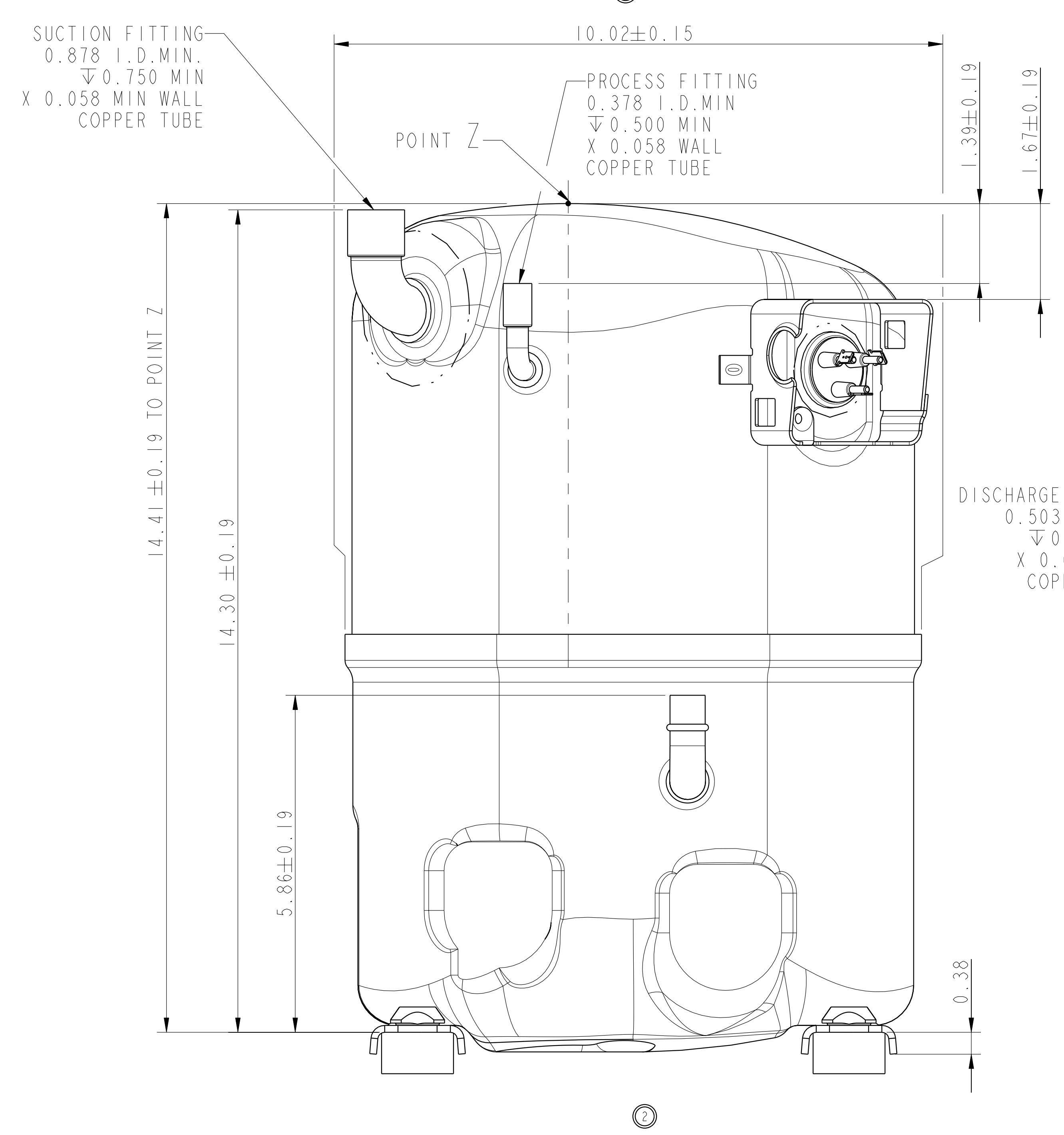
MODEL NO
CR47KQ-PFV
CR47KQ-PFZ
CR47KQ-TFD
CR47KQ-TFE
CR47KQ-TF5
CR47KQE-PFV
CR47KQE-PFZ
CR47KQE-TFD
CR47KQE-TF5

SPECIFICATIONS	
ES NO.	DESCRIPTION
ES22-122	PACKAGING
ES81-159	CLEANLINESS
ES81-250	IDENTIFICATION
ES92-167	REGULATORY COMPLIANCE

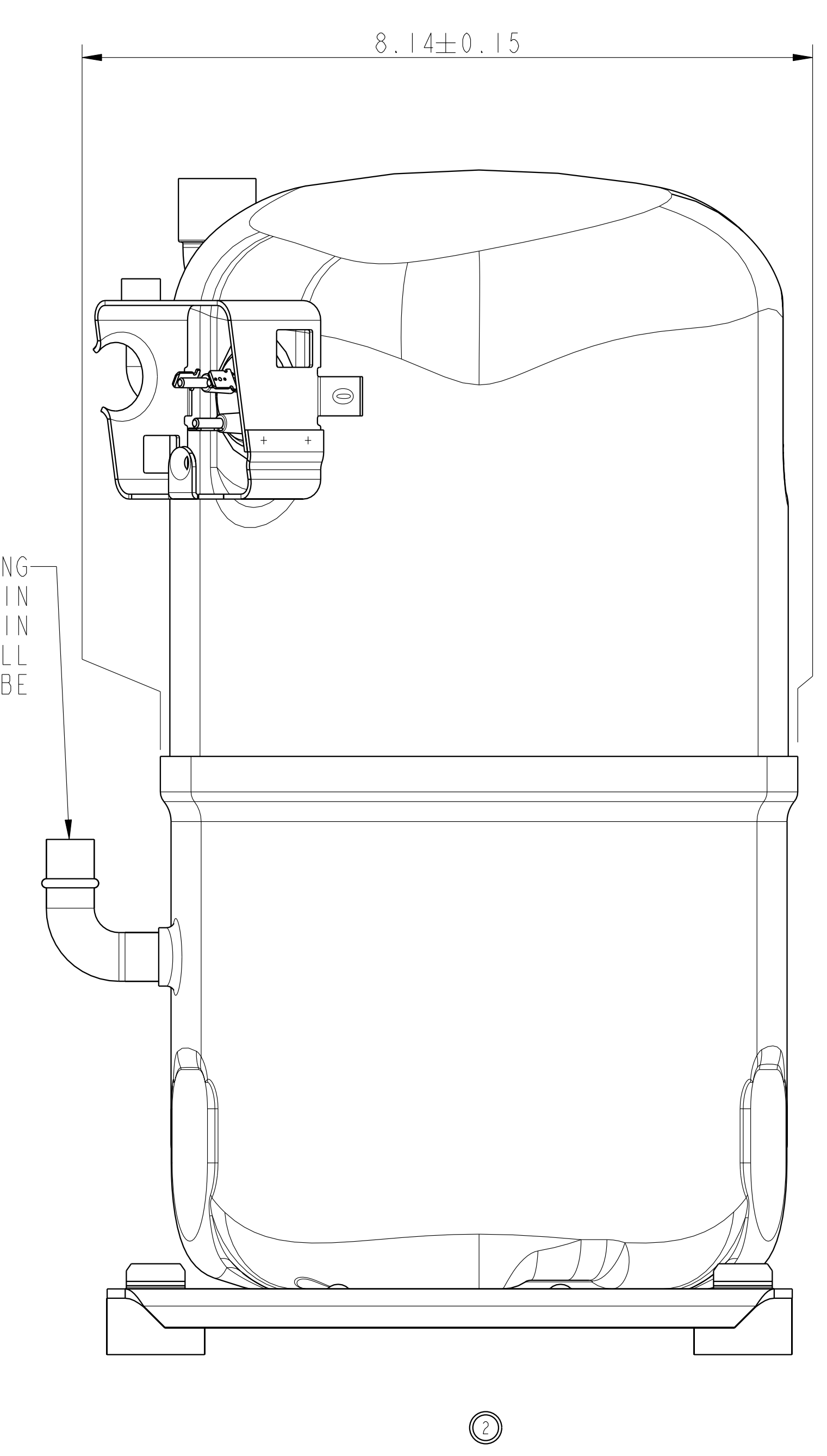


DUE TO ACCUMULATED ASSEMBLY TOLERANCES THE LISTED COMPONENTS MAY VARY FROM THE MOUNTING HOLES AS TABULATED.	
DISCHARGE TUBE	±0.125
SUCTION TUBE	±0.187
PROCESS TUBE	±0.187

- NOTES:
1. TOLERANCES TO BE ±0.12 UNLESS OTHERWISE SPECIFIED.
  2. TUBE ENDS MUST BE PLUGGED.



497-3815-01  
OPTIONAL BUILD PER SKU



INTERPRET PER ASME Y14.5M-1994 AND EMERSON CLIMATE TECHNOLOGIES, INC. DESIGN STANDARDS DS2002. DO NOT SCALE DRAWING. THIRD ANGLE PROJECTION. UNLESS OTHERWISE SPECIFIED DIMENSIONS ARE INCH OR (MILLIMETER). TOLERANCES: 2-PLACE ± N/A, 3-PLACE ± N/A, ANGULAR ± N/A.

ECN004797	2	REDRAWN WITH CHANGES	12-22-11	DB	BAH	EJT
ECN003269	0	RELEASED	01-04-11	KRB	BAH	BAH
ENG NOTICE NO.	REV. NO.	REVISIONS	DATE	BY	CHKD	APPR
3 THIS DRAWING AND INFORMATION CONTAINED HEREIN ARE THE EXCLUSIVE PROPERTY OF EMERSON CLIMATE TECHNOLOGIES, INC. AND SHALL BE RETURNED UPON DEMAND AND SHALL NOT BE REPRODUCED IN WHOLE OR IN PART, DISCLOSED TO ANYONE ELSE OR USED, WITHOUT THE WRITTEN CONSENT OF EMERSON CLIMATE TECHNOLOGIES, INC. MATERIAL SPECIFICATION						
DRAWN BY		SUPERSEDES DWG. NO. / REV. NO.		DATE		
DB		495-3815-00 / 01		DATE		
SCALE		1:2		DATE FORMAT: MM-DD-YY		
TITLE			DRAWING NUMBER SHEET 1 OF 5			
REF DWG - WELD COMP ASSM			497-3815-00			