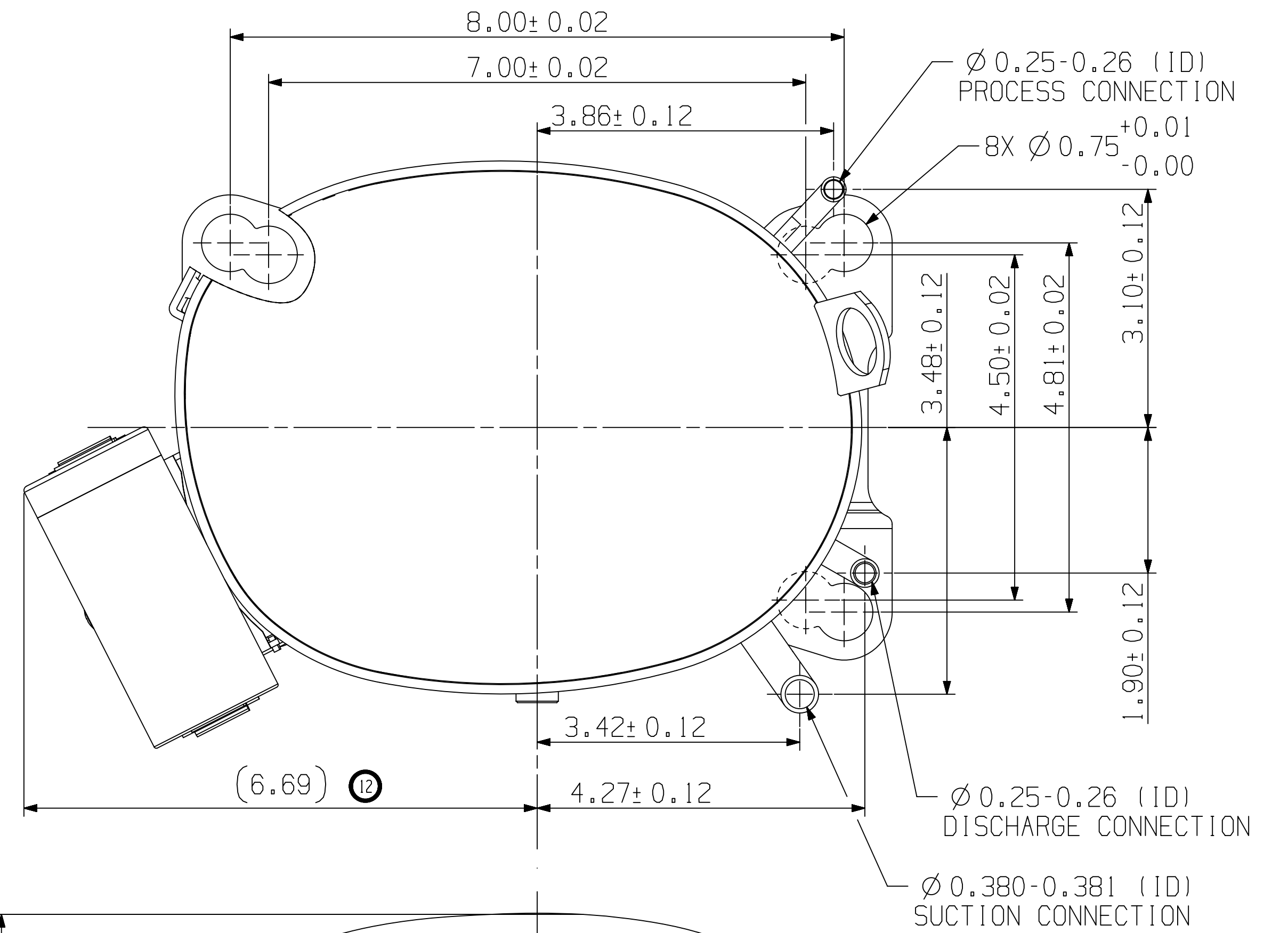
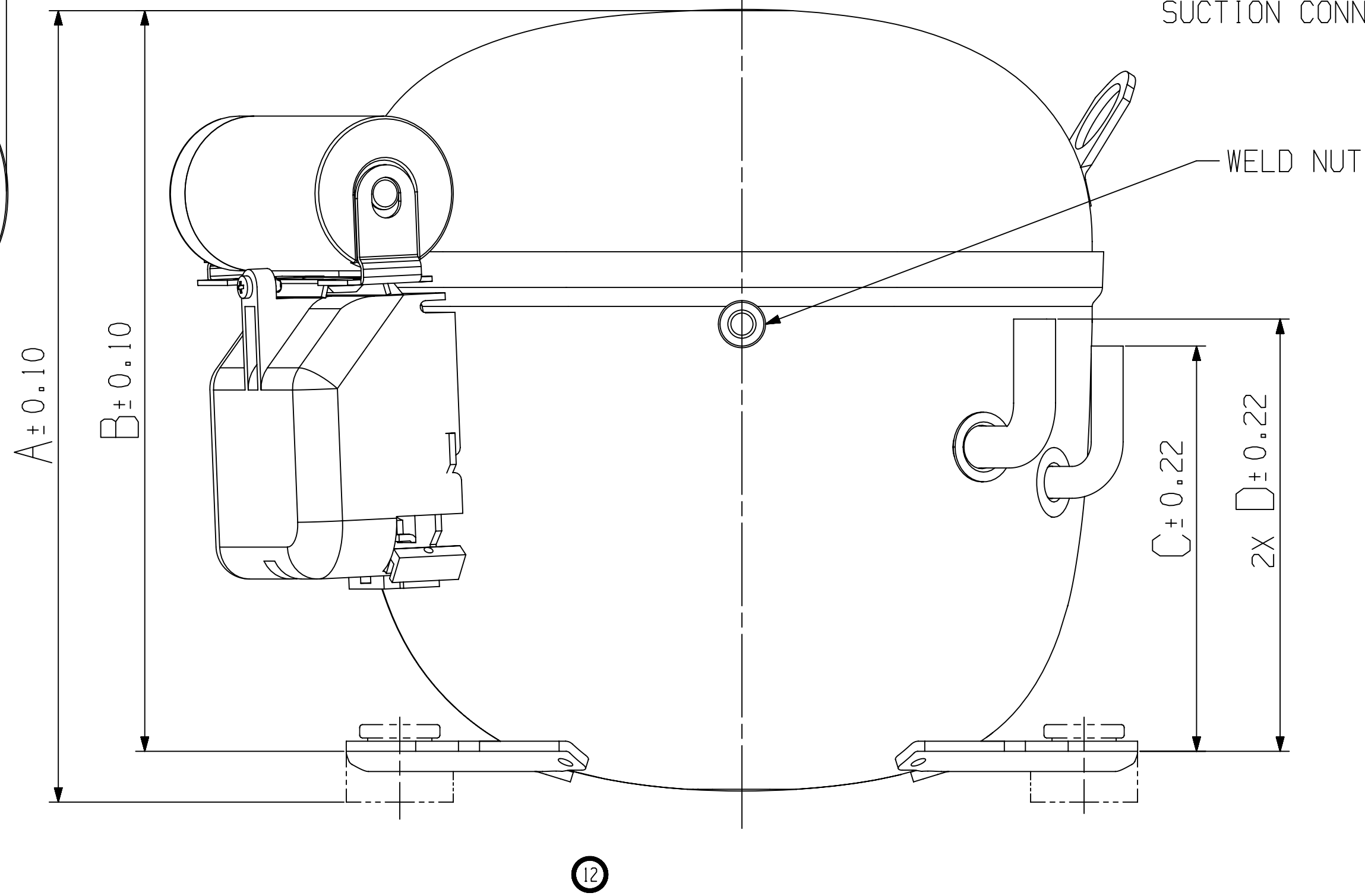
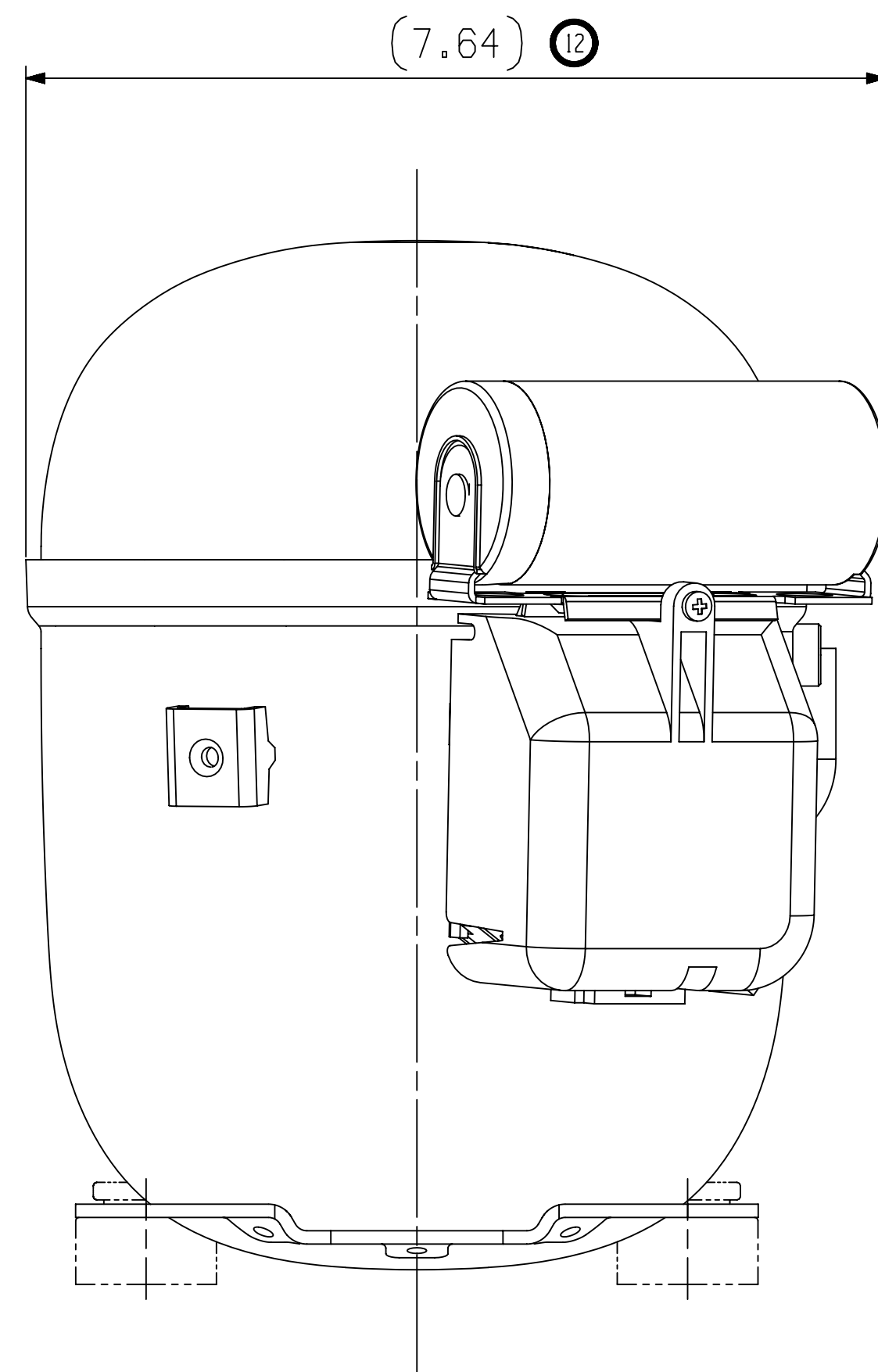


PART NUMBER	MODEL	WELD NUT	A	B	C	D
497-2864-00	RFT22C1E-CAB	YES	9.26	8.66	4.74	5.06
	RFT22C1E-CAV					
	RFT22C1E-IAB					
	RFT22C1E-IAV					
	RFT26C1E-CAB					
	RFT26C1E-CAV					
	RFT26C1E-IAB					
	RFT26C1E-IAV					
	RRT62C1E-IAB					
	RRT64C1E-IAB					
	RRT64C1E-CAA					
	RRT64C1E-CAB					
	RRT64C1E-CAV					
	RRT64C1E-IAA					
	RRT64C1E-IAV					
	RRT73C1E-CAB					
	RRT73C1E-CAV					
	RRT73C1E-IAB					
	RRT73C1E-IAV					
	RST40C1E-CAA					
	RST40C1E-CAB					
	RST40C1E-CAV					
	RST40C1E-IAA					
	RST40C1E-IAB					
RST40C1E-IAV						
RST45C1E-IAV						
RST45C1E-CAB						
RST45C1E-CAV						
RST55C1E-CAB						
RST55C1E-CAV						
RST55C1E-IAV						
RST55C1E-IAB						
RST45C1E-IAB						
RRT64C1E-IAA						
RST61C1E-CAV						
497-2864-01	RFT29C1E-CAV	YES	9.83	9.21	5.30	5.61
	RFT29C1E-CAZ					
	RFT29C1E-IAZ					
497-2864-02	RFT32C1E-CAV	YES	8.76	8.15	4.23	4.55
	RFT32C1E-CAZ					
	RFT32C1E-IAZ					
497-2864-02	RRT62C1E-IAA	YES	8.76	8.15	4.23	4.55
	RRT62C1E-CAA					
	RRT62C1E-IAV					



INTERPRET PER ASME Y14.5M-1994 AND EMERSON DESIGN STANDARDS DS2002
DO NOT SCALE DRAWING
CRITICAL PRODUCT CHARACTERISTICS
UNLESS OTHERWISE SPECIFIED DIMENSIONS ARE INCH OR (MILLIMETER)
TOLERANCES:
2-PLACE ±
3-PLACE ±
ANGULAR ±

ECN309076	12	REDRAWN; ADDED CAPACITOR & BRACKET	10-26-18	SPM	JSK
33-0207-023	0	RELEASED	02-15-07	SST	WPF
ENG NOTICE NO.	REV. NO.	REVISIONS	DATE	BY	CHKD
20		CONFIDENTIALITY NOTICE			
THIS DRAWING AND INFORMATION CONTAINED HEREIN ARE THE EXCLUSIVE PROPERTY OF EMERSON CLIMATE TECHNOLOGIES, INC AND/OR ITS AFFILIATES (COLLECTIVELY "EMERSON") AND SHALL BE RETURNED UPON DEMAND AND SHALL NOT BE REPRODUCED IN WHOLE OR IN PART, DISCLOSED TO ANYONE ELSE OR USED, WITHOUT THE WRITTEN CONSENT OF EMERSON.					
MATERIAL SPECIFICATION		DRAWN BY	SUPERSEDES DWG NO / REV NO		
N/A		DATE	SCALE	DATE FORMAT:	
		10-26-18	1:1	MM-DD-YY	
TITLE			DRAWING NUMBER	SHEET 1 OF 1 DWG	
REF DWG-WELD COMP ASSM			497-2864-00	4	
			SIZE		