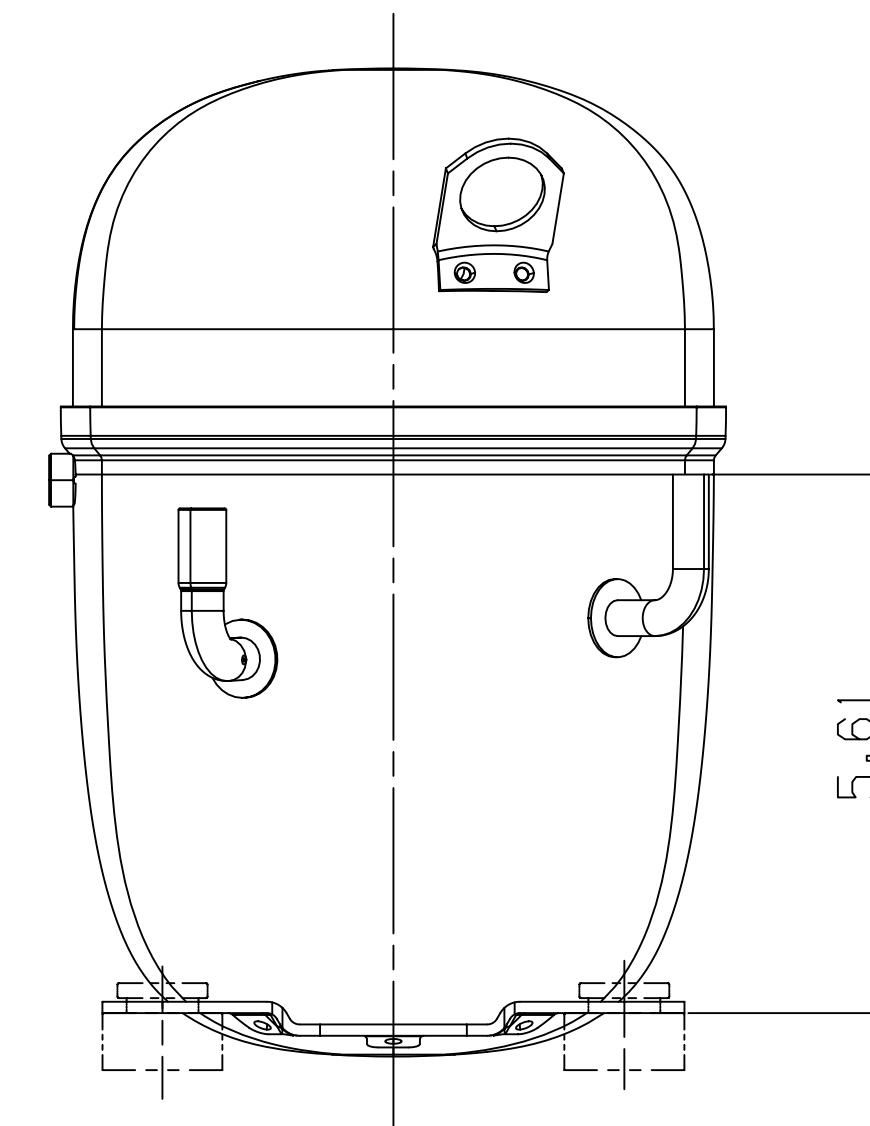
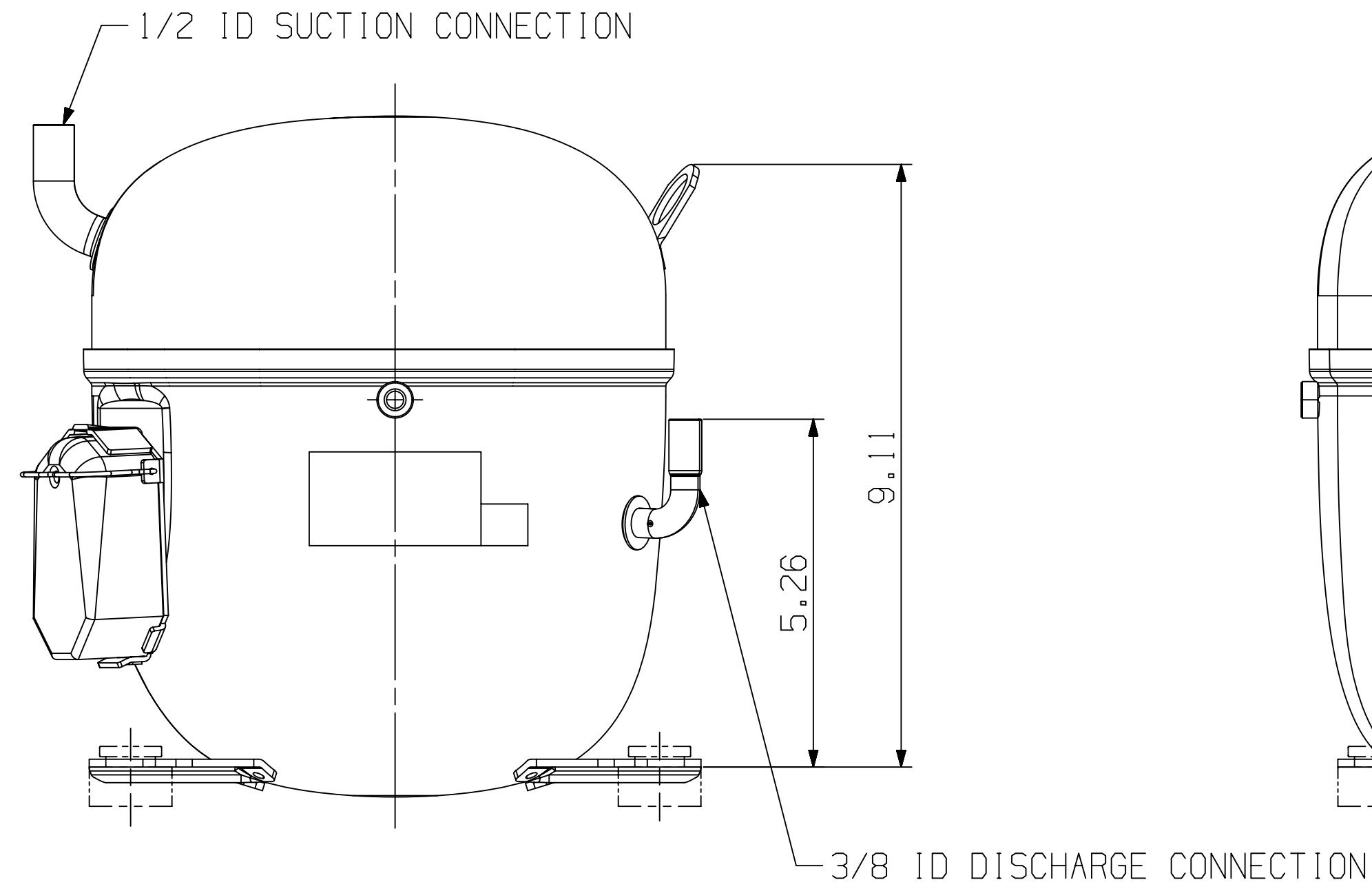
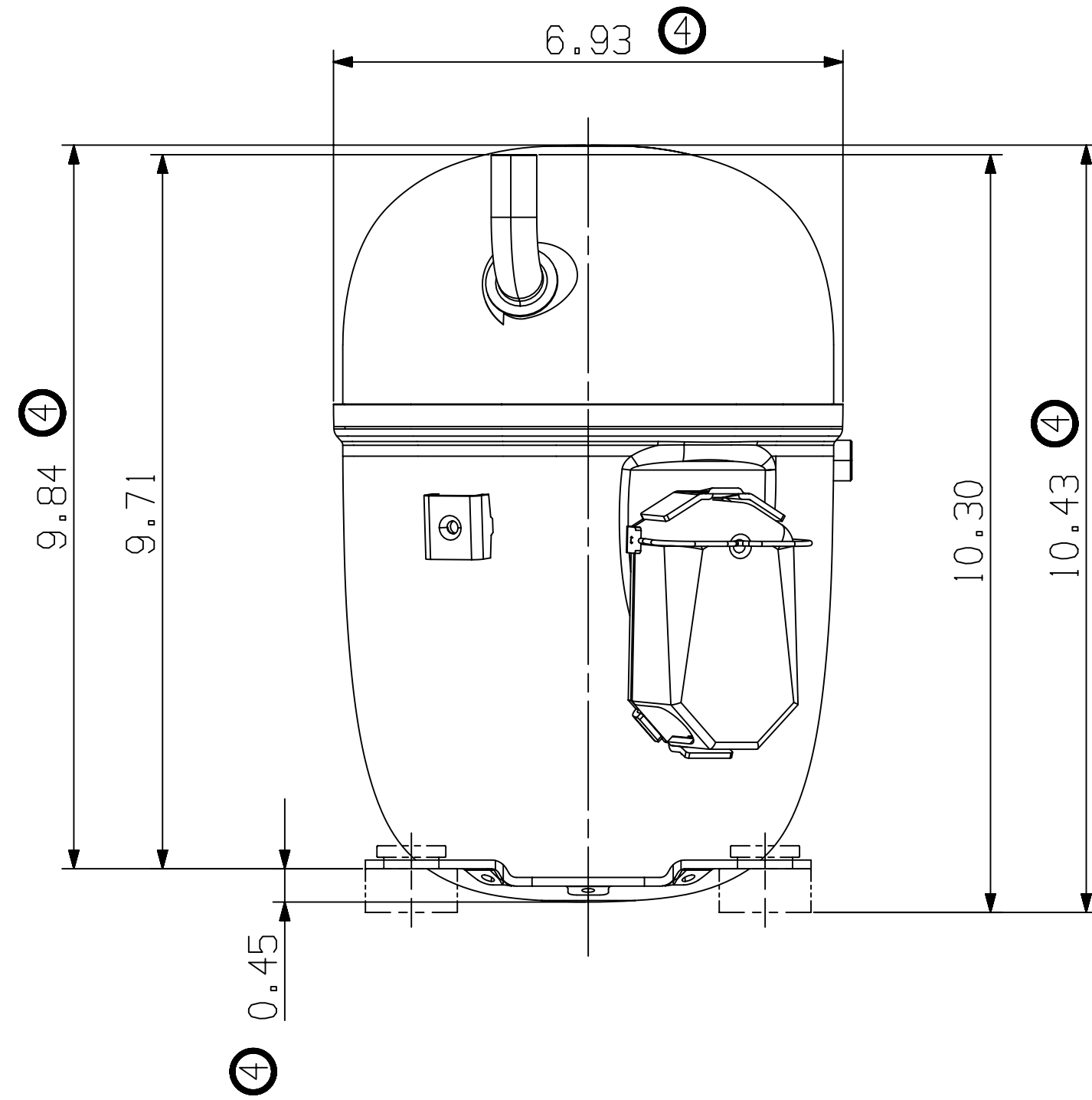
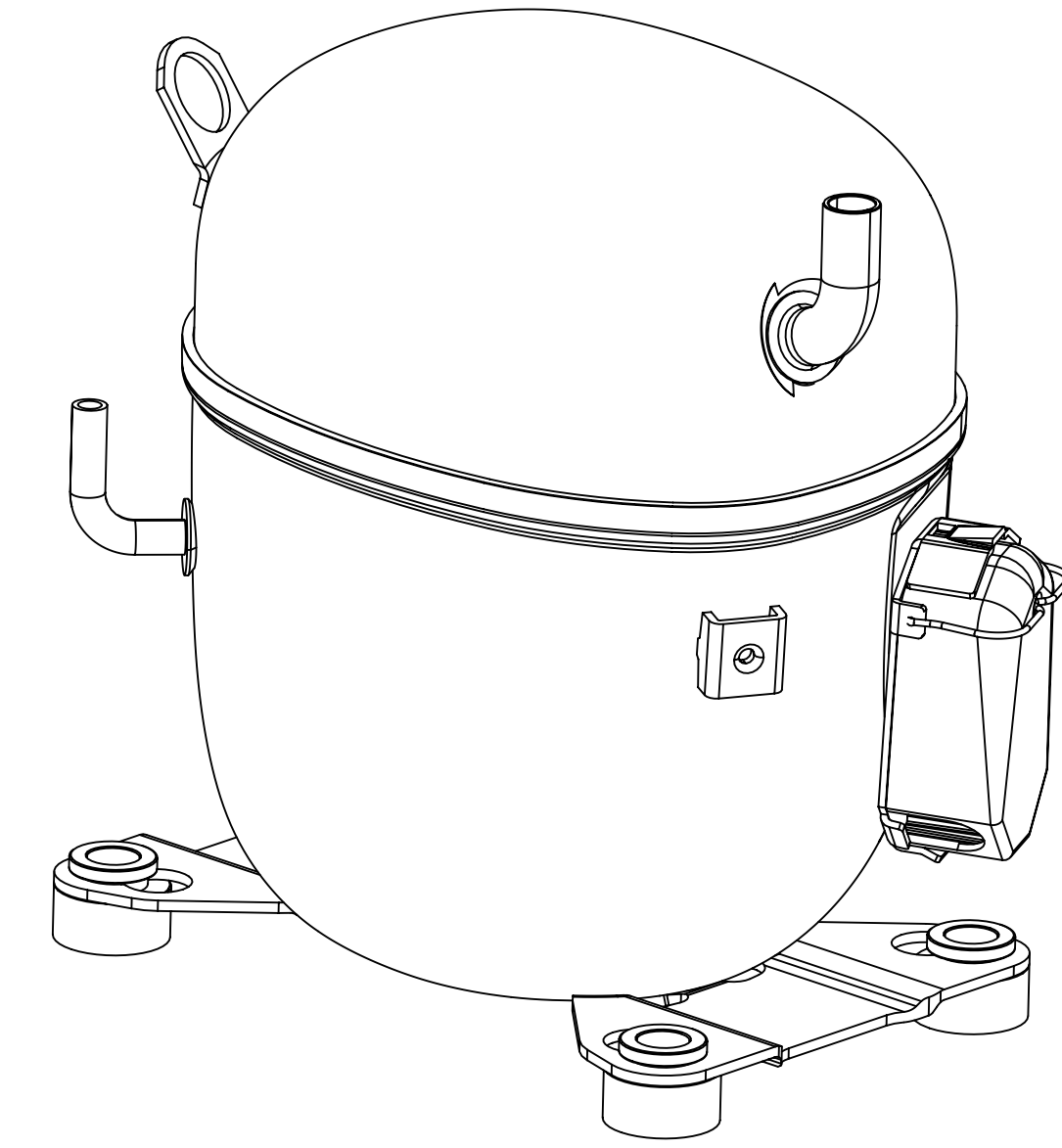
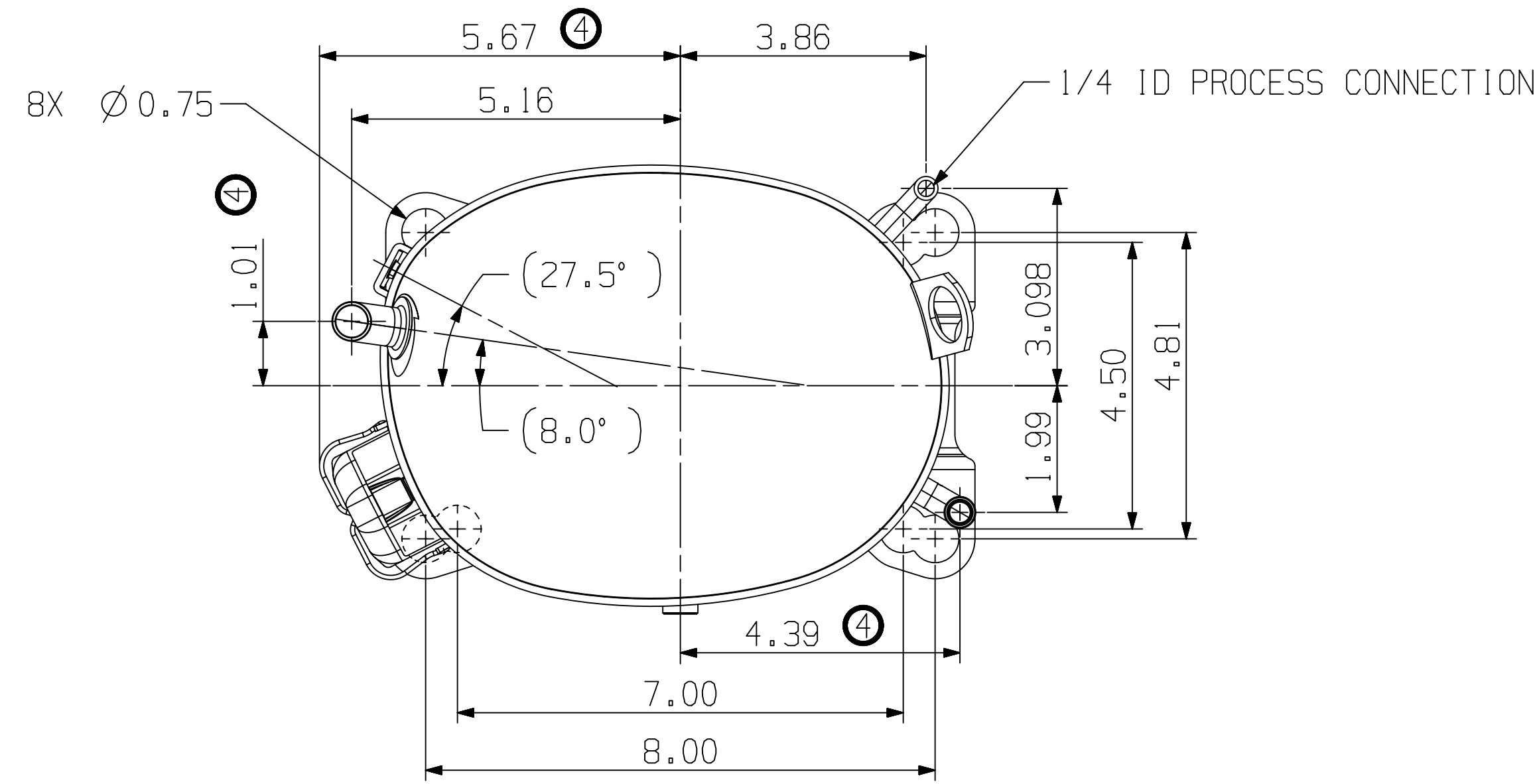


MODEL
RRT10K1E-PFA
RRT10K1E-PFV
RRT10K1E-PFZ
RRT81C1E-PFA
RRT81C1E-PFV
RRT81C1E-PFZ
RST10K1E-PFV
RST10K1E-TA5
RST70C1E-PFA
RST70C1E-PFV
RST70C1E-TA5
RST70C1E-PFZ
RST80C1E-PFA
RST80C1E-PFV
RST80C1E-PFZ
RST80C1E-TA5
RST97C1E-PFV
RST97C1E-PFZ
RST97C1E-TA5



**EMERSON**  
**Copeland™**

INTERPRET PER ASME Y14.5M-1994 AND EMERSON DESIGN STANDARDS DS2002

DO NOT SCALE DRAWING

THIRD ANGLE PROJECTION

UNLESS OTHERWISE SPECIFIED DIMENSIONS ARE INCH OR MILLIMETER  
TOLERANCES:  
2-PLACE ± N/A  
3-PLACE ± N/A  
ANGULAR ± N/A

ECN314568	5	ADDED MODEL: RST70C1E-PFZ	10-28-20	AMR	JSK
ECN308072	4	REDRAWN WITH CHANGES	07-06-18	SD	JSK
34-0610-003	0	RELEASED	06-08-10	VSK	WF
ENG NOTICE NO.	REV. NO.	REVISIONS	DATE	BY	CHKD
20		CONFIDENTIALITY NOTICE			
THIS DRAWING AND INFORMATION CONTAINED HEREIN ARE THE EXCLUSIVE PROPERTY OF EMERSON CLIMATE TECHNOLOGIES, INC AND/OR ITS AFFILIATES (COLLECTIVELY "EMERSON") AND SHALL BE RETURNED UPON DEMAND AND SHALL NOT BE REPRODUCED IN WHOLE OR IN PART, DISCLOSED TO ANYONE ELSE OR USED, WITHOUT THE WRITTEN CONSENT OF EMERSON.					
MATERIAL SPECIFICATION		DRAWN BY	SUPERSEDES DWG NO / REV NO		
N/A		SD	497-0950-00 / 003		
		DATE	SCALE	DATE FORMAT:	
		07-06-18	1:2	MM-DD-YY	
TITLE			DRAWING NUMBER	SHEET 1 OF 1	DWG
REF DWG-WELDED COMP ASSM			497-0950-00	4	SIZE